

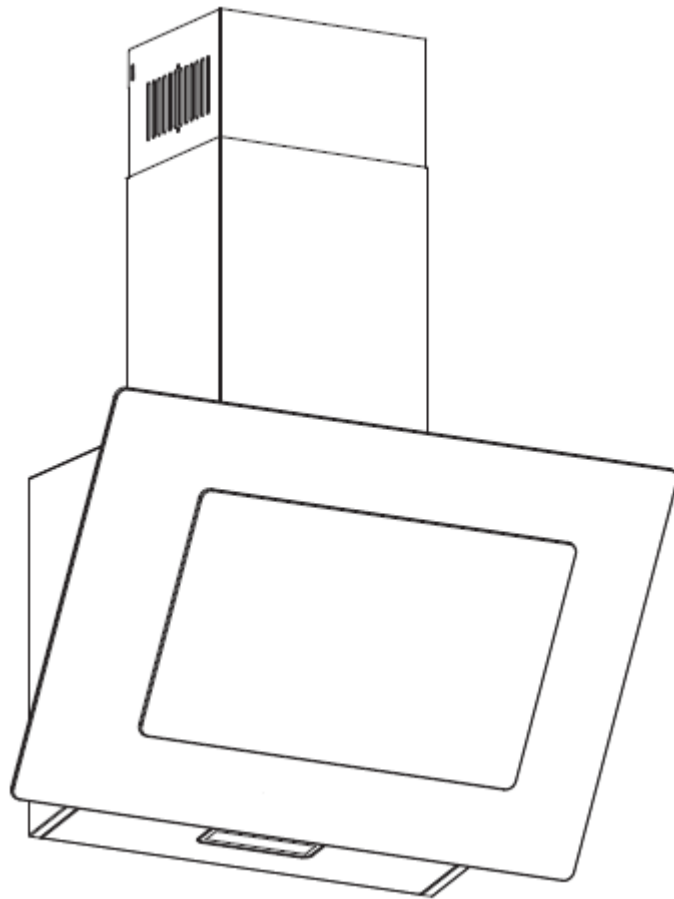
CDG6CBG

Cooker Hood **Hotte de cuisson** **Campana extractora** **Odsavač nad sporák** **Páraelszívó** **Digestor** **Okap kuchenny**

EN	Instruction manual	2
FR	Manuel d'instructions	15
ES	Manual de instrucciones	28
CS	Návod k použití	41
HU	Kezelési útmutató	54
SK	Návod na použitie	67
PL	Instrukcja obsługi	80

CDG6CBG

Cooker Hood Instruction Manual



Content

1. Safety instructions	4
2. Installation	6
3. Start using your cooker hood	10
4. Troubleshooting	10
5. Maintenance and cleaning	11
6. Environment protection	14

SAFETY INSTRUCTIONS

This manual explains the proper installation and use of your cooker hood, please read it carefully before using even if you are familiar with the product. The manual should be kept in a safe place for future reference.

Never to do:

- Do not try to use the cooker hood without the grease filters or if the filters are excessively greasy!
- Do not install above a cooker with a high level grill.
- Do not leave frying pans unattended during use because overheated fats or oils might catch fire.
- Never leave naked flames under the cooker hood.



- If the cooker hood is damaged, do not attempt to use.
- Do not flambé under the cooker hood.
- CAUTION: Accessible parts may become hot when used with cooking appliances.
- The minimum distance between the supporting surface for the cooking vessels on the hob and the lowest part of the cooker hood. (When the cooker hood is located above a gas appliance, this distance shall be at least 65 cm)
- The air must not be discharged into a flue that is used for exhausting fumes from appliances burning gas or other fuels.



Always to do:

- Important! Always switch off the electricity supply at the mains during installation and maintenance such as light bulb replacement.
- The cooker hood must be installed in accordance with the installation instructions and all measurements followed.
- All installation work must be carried out by a competent person or qualified electrician.
- Please dispose of the packing material carefully. Children are vulnerable to it.
- Pay attention to the sharp edges inside the cooker hood especially during installation and cleaning.
- Make sure the ducting has no bends sharper than 90 degrees as this will reduce the efficiency of the cooker hood.
- Warning: Failure to install the screws or fixing device in accordance with these instructions may result in electrical hazards.
- Warning: Before obtaining access to terminals, all supply circuits must be disconnected.

Always to do:

- Always put lids on pots and pans when cooking on a gas cooker.
- When in extraction mode, air in the room is being removed by the cooker hood. Please make sure that proper ventilation measures are being observed. The cooker hood removes odours from room but not steam.
- Cooker hood is for domestic use only.



- If the supply cord is damaged, it must be replaced by the manufacturer, its service agent or similarly qualified persons in order to avoid a hazard.
- This appliance can be used by children aged from 8 years and above and persons with reduced physical, sensory or mental capabilities or lack of experience and knowledge if they have been given supervision or instruction concerning use of the appliance in a safe way and understand the hazards involved. Children shall not play with the appliance. Cleaning and user maintenance shall not be made by children without supervision.



Always to do:

- **Caution:** The appliance and its accessible parts can become hot during operation. Be careful to avoid touching the heating elements. Children younger than 8 years old should stay away unless they are under permanent supervision.
- There shall be adequate ventilation of the room when the range hood is used at the same time as appliances burning gas or other fuels.
- There is a fire risk if cleaning is not carried out in accordance with the instructions.
- Regulations concerning the discharge of air have to be fulfilled.
- Clean your appliance periodically by following the method given in the chapter MAINTENANCE.
- For safety reason, please use only the same size of fixing or mounting screw which are recommended in this instruction manual.
- Regarding the details about the method and frequency of cleaning, please refer to maintenance and cleaning section in the instruction manual.
- Cleaning and user maintenance shall not be made by children without supervision.
- When the range hood and appliances supplied with energy other than electricity are simultaneously in operation, the negative pressure in the room must not exceed 4 Pa (4 x 10⁻⁵ bar).
- **WARNING:** Danger of fire: do not store items on the cooking surfaces.
- A steam cleaner is not to be used.
- **NEVER** try to extinguish a fire with water, but switch off the appliance and then cover flame e.g. with a lid or a fire blanket.

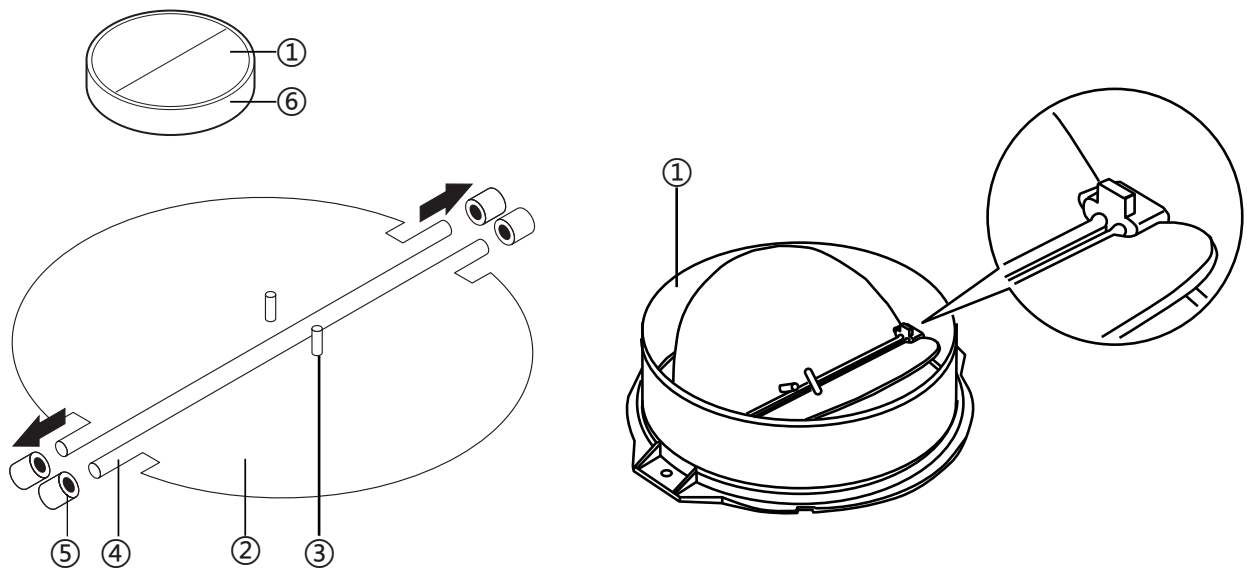
INSTALLATION (VENT OUTSIDE)

MOUNTING OF THE V-FLAP

If the cooker hood does not have an assembled V-flap 1, you should mount the half-parts to its body. The images only show an example of how to mount the V-flap, because the outlet may vary according to different models and configurations.

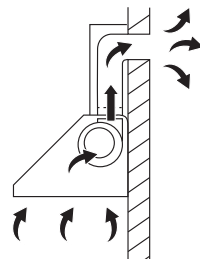
To mount the V-flap 1 you should:

- Mount two half-parts 2 into the body 6
- the pin 3 should be top oriented;
- the axis 4 should be inserted into the holes 5 on the body;
- repeat all the operations for the 2nd half-part.

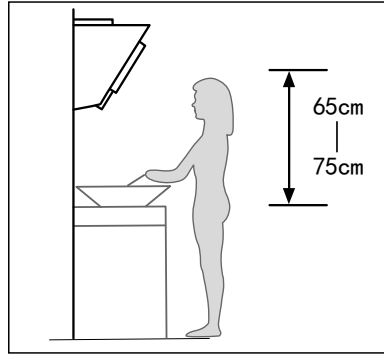


INSTALLATION

If you have an outlet to the outside, your cooker hood can be connected as below picture by means of an extraction duct (enamel, aluminum, flexible pipe or non-flammable material with an interior diameter of 150mm)

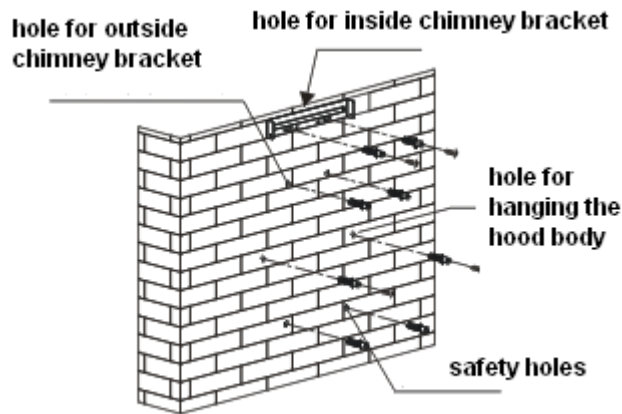


1. Before installation, turn the unit off.
2. The cooker hood should be placed at a distance of 65~75cm above the cooking surface for best effect.



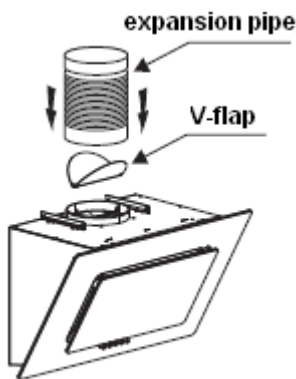
Pic 1

3. After decide the cooker hood height, measure the position of the holes for hanging hood,inside chimney bracket ,outside chimney bracket and safety holes. Drill 8 $\phi 8$ holes and insert wall plugs into the holes. Fix the inside chimney bracket on the wall with 2pcs ST4 x 40mm screws.Screw 2pcs ST4 x 8mm screws in the hole for hanging the hood body and the screws installed should leave for 3-5mm out of the wall to hang the hood.The fixed position of the inside chimney bracket is the highest place of chimney. See pic 2.

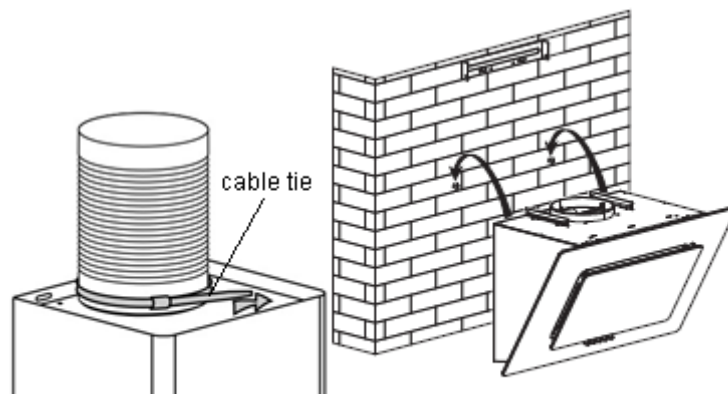


Pic 2

4. Install the v-flap(**not included**) and expansion pipe(**not included**) onto the cooker hood. Fix the expansion pipe on the outlet with a cable tie. Please note: The expansion pipe and v-flap are not included in the product. See Pic 3.
5. Hang the cooker hood onto the hook.See pic 4.

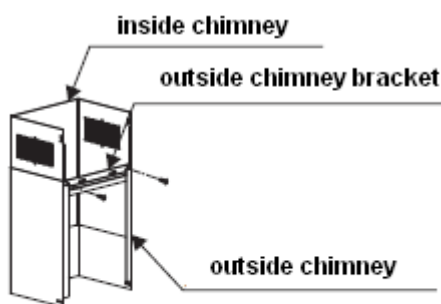


Pic 3

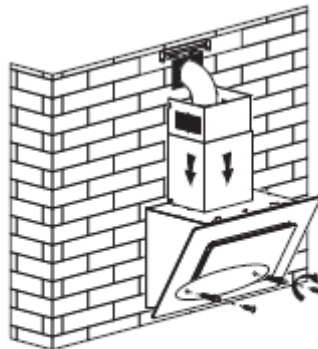


Pic 4

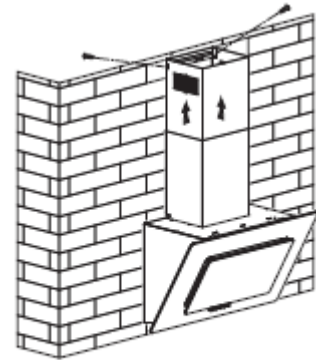
6. Install the outside chimney bracket onto the outside chimney with 2pcs ST4*8mm screws, here should be sure the inside chimney can be flexed freely. See Pic 5.
7. Fix the cooker hood with 2pcs ST4*30mm safety screws. Note: The two safety vents are positioned on the back housing, with a diameter of 6mm. Put the two chimneys onto the cooker hood, fix the outside chimney on the wall with 2pcs ST4*40mm screws and lead the expansion pipe to the outside. See pic 6.
8. Adjust the height of the inside chimney to the position of the inside chimney bracket and fix it with 2pcs ST4*8mm screws. Fix the outside chimney onto the hood body with 2pcs ST4*8mm screws. See Pic 7.



Pic 5



Pic 6



Pic 7

Electrical Installation

All installation must be carried out by a competent person or qualified electrician. Before connecting the mains supply ensure that the mains voltage corresponds to the voltage on the rating plate.

Direct Connection

The appliance must be connected directly to the mains using an omnipolar circuit breaker with a minimum opening of 3mm between the contacts.

The installer must ensure that the correct electrical connection has been made and that it complies with the wiring diagram.

The cable must not be bent or compressed.


Regularly check the power plug and power cord for damage. If the supply cord is damaged, it must be replaced by a special cord or assembly available from the manufacturer or its service agent.

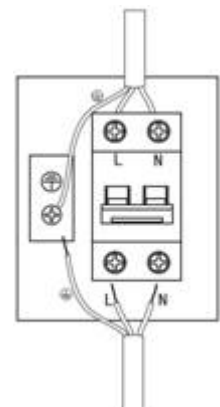
WARNING: This is a Class I appliance and MUST be earthed

This appliance is supplied with a 3 core mains cable coloured as follows:

Brown = L or Live

Blue = N or Neutral

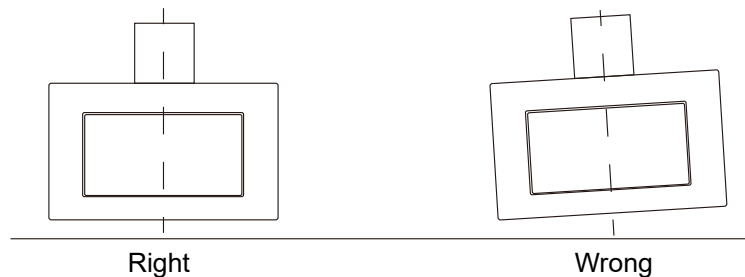
Green and Yellow = E or Earth 




HINTS FOR EXHAUST DUCT INSTALLATION

The following rules must be strictly followed to obtain optimal air extraction:

- Keep exhaust duct short and straight
- Do not reduce the size or restrict the exhaust duct
- When using the flexible duct always install the duct pulled taut to minimize pressure loss.
- Failure to observe these basic instructions will reduce the performance and increase noise levels of the range hood.
- Any installation work must be carried out by a qualified electrician or competent person.
- Do not connect the ducting system of the hood to any existing ventilation system which is being used for any other appliance ,such as warmer tube, gas tube , hot wind tube.
- The angle of the bend of the ventilation pipe should not be less than 120°; you must direct the pipe horizontally, or, alternatively, the pipe should go up from the initial point and should be led to an outer wall.
- After the installation ,make sure that the cooker hood is level to avoid grease collection at on end.

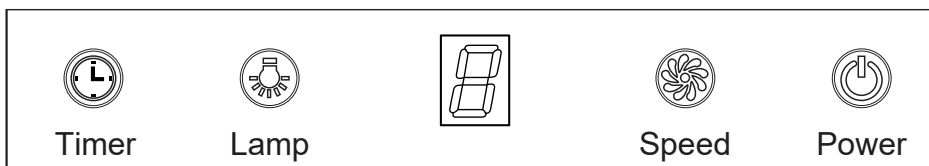


Ensure the exhaust ducting selected for installation complies with relevant standards and is fire retardant.

<p>WARNING:</p> 	<ul style="list-style-type: none">➤ For safety reason, please use only the same size of fixing or mounting screws which are recommended in this instruction manual.➤ Failure to install the screws or fixing device in accordance with these instructions may result in electrical hazards.
--	--

Start Using Your Cooker Hood

Touch control



1. Press the “Power” button, the button control the “on” & “off ” of the hood.
2. Press the button “Speed” time after time, the motor runs as low / mid / high / low / mid..., the speed runs circularly; and the LED display will indicate as 1-2-3-1-2... circularly.
3. Press “Lamp” button, the light is on, press this button again, the light is off. Please note the Lamp is not under control of the on/off button.
4. When the hood is working, if press the “Timer” button, the hood will go into the status of acquiescent working (acquiescent time is 9mins), and then, LED display will be shown 9.8.7.6 ...decreasing by 1,when time is up, the hood will be off automatically and the lamp will extinguish. If pressing “Timer” button, the hood will go in or go out “Timer” function.

TROUBLESHOOTING

Fault	Possible Cause	Solution
Light on, but motor does not work	Fan switch turned off	Select a fan switch position.
	Fan switch failed	Contact service center.
	Motor failed	Contact service center.
Light does not work, motor does not work	House fuses blown	Reset/Replace fuses.
	Mains power cable is loose or disconnected	Refit mains power cable to power outlet. Switch power outlet on.
Oil leakage	One way valve and the outlet are not tightly sealed	Take down the one way valve and seal with sealant.
	Leakage from the connection of chimney and cover	Take chimney down and seal.
Lights not working	Broken or faulty bulbs	Replace blubs as per this instruction.
Insufficient suction	The distance between the cooker hood and the gas top is too far	Refit the cooker hood to the correct distance.
The Cooker hood inclines	The fixing screw is not tight enough	Tighten the hanging screw and make it horizontal.

**NOTE:**

Any electrical repairs to this appliance must conform to your local, state and federal laws. Please contact the service centre if in any doubt before undertaking any of the above. Always disconnect the unit from the power source when opening the unit.

MAINTENANCE AND CLEANING

Caution:

- Before maintenance or cleaning is carried out, the cooker hood should be disconnected from the mains power supply. Ensure that the cooker hood is switched off at the wall socket.
- External surfaces are susceptible to scratches and abrasions, so please follow the cleaning instructions to ensure the best possible result is achieved without damage.

GENERAL

Cleaning and maintenance should be carried out with the appliance cold especially when cleaning. Avoid leaving alkaline or acid substances (lemon juice, vinegar etc.) on the surfaces.

STAINLESS STEEL

The stainless steel must be cleaned regularly (e.g. weekly) to ensure a long life expectancy. Dry with a clean soft cloth. A specialized stainless steel cleaning fluid may be used.

NOTE:

Ensure that wiping is done along with the grain of the stainless steel to prevent any unsightly crisscross scratching patterns from appearing.

CONTROL PANEL SURFACE

The inlay control panel can be cleaned using warm soapy water. Ensure the cloth is clean and well wrung before cleaning. Use a dry soft cloth to remove any excess moisture left after cleaning.

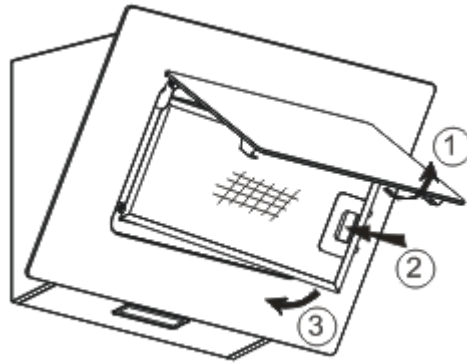
Important

Using neutral detergents and avoid using harsh cleaning chemicals, strong household detergents or products containing abrasives, as this will affect the appearance of the appliance and potentially remove any printing of artwork on the control panel and will void manufacturer's warranty.

GREASE MESH FILTERS

The mesh filters can be cleaned by hand. Soak them for about 3 minutes in water with a mild detergent then brush it gently with a soft brush. Please do not apply too much pressure, avoid to damage it. (Leave to dry naturally out of direct sunlight)

Filters should be washed separately to crockery and kitchen utensils. It is advisable not to use rinse aid. Following the picture beside to dismantle the grease filter.



INSTALLING GREASE MESH FILTERS

- To install filters for the following four steps:
 - Angle the filter into the slots at the back of the hood.
 - Push the button on the handle of the filter.
 - Release the handle once the filter fits into a resting position.
 - Repeat to install all filters.

CARBON FILTER- not supplied

Activated carbon filter can be used to trap odors. Normally the activated carbon filter should be changed every 3 to 6 months according to your cooking habits. The installation procedure of activated carbon filter is as below:


1. Before installing or replacing the carbon filters, please disconnect mains power to the unit.
2. Press the filter lock and remove the mesh filter.
3. Turn the carbon filter on both sides of the motor anti-clockwise. Replace the carbon filters with the new carbon filters.
4. Place the mesh filter.
5. Connect the power supply to the wall socket.



NOTE:

- Make sure the filter is securely locked. Otherwise, it would loosen and cause danger.
- When activated carbon filter attached, the suction power will be lowered.

BULB REPLACEMENT

<p>Important :</p> 	<ul style="list-style-type: none"> ✧ The bulb must be replaced by the manufacturer, its service agent or similarly qualified persons. ✧ Always switch off the electricity supply before carrying out any operations on the appliance. When handling bulb, make sure it has completely cooled down before any direct contact with hands. ✧ When handling bulbs hold with a cloth or gloves to ensure perspiration does not come in contact with the bulb as this can reduce the life of the bulb.
--	---

Note:

- Before replacing light that the cooker hood can be isolated from the supply mains by means of a plug or an all-pole switch.
- Protect against danger when changing lights, such as wearing gloves.

Changing the lights:

- Remove the grease filter.
- Way 1. Use a tool or the hand to press the spring splinter of both sides of LED light to the inside, until the light is pressed out, see pic 1. Then slightly pull the light connecting wire out, and dismantle the terminal of the light connecting wire. See pic 2.

Way 2. Use straight screwdriver to prize up the LED light bottom edge, see pic 3, then slightly pull out the LED light and light connecting wire. See pic 2.

- Apply the reverse procedure to install the light back.

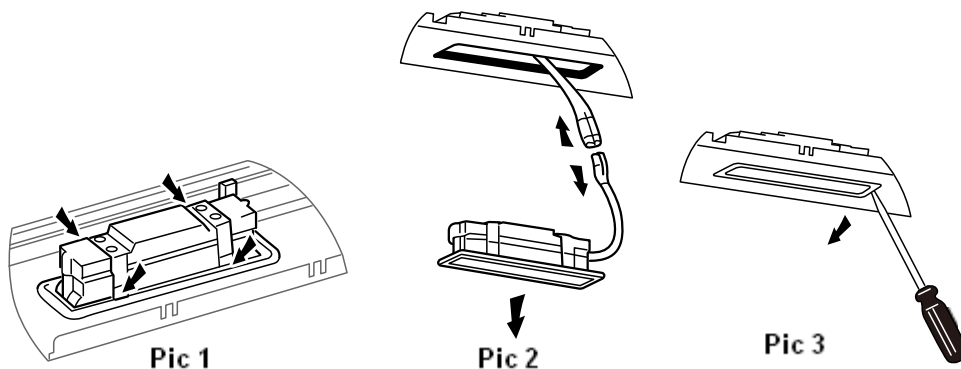
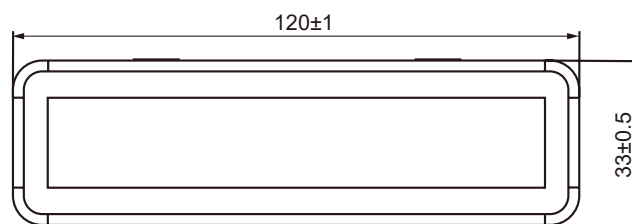
• ILCOS D code for this lamp is: **DSS-1.5/65-S-120/33**

– LED modules –rectangle LED lamp


– Max wattage: 1×1.5W

– Voltage range: DC 12V

– Dimensions:



ENVIRONMENTAL PROTECTION:

	<p>This product is marked with the symbol on the selective sorting of waste electronic equipment. This means that this product must not be disposed of with household waste but must be supported by a system of selective collection in accordance with Directive 2012/19/EU. It will then be recycled or dismantled to minimize impacts on the environment, electrical and electronic products are potentially dangerous for the environment and human health due to the presence of hazardous substances. For more information, please contact your local or regional authorities.</p>
---	---

NOTE:

The following shows how to reduce total environmental impact (e.g. energy use) of the cooking process).

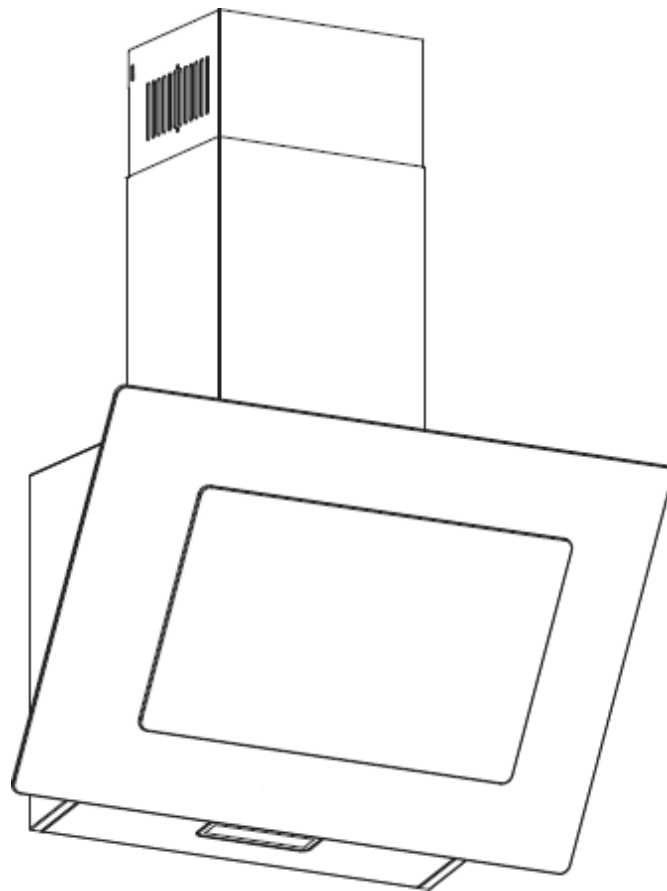
- (1) Install the cooker hood in a proper place where there is efficient ventilation.
- (2) Clean the cooker hood regularly so as not to block the airway.
- (3) Remember to switch off the cooker hood light after cooking.
- (4) Remember to switch off the cooker hood after cooking.

INFORMATION FOR DISMANTLING

Do not dismantle the appliance in a way which is not shown in the user manual. The appliance could not be dismantled by user. At the end of life, the appliance should not be disposed of with household waste. Check with your Local Authority or retailer for recycling advice.

CDG6CBG

Hotte de cuisson Manuel d'instructions



Sommaire

1. Consignes de sécurité	17
2. Installation	19
3. Comment utiliser votre hotte de cuisson	23
4. Dépannage	23
5. Entretien et nettoyage	24
6. Protection de l'environnement	27

CONSIGNES DE SÉCURITÉ

Ce manuel indique comment installer votre hotte de cuisson et comment vous en servir.

Avant toute utilisation, veuillez le lire attentivement, même si vous connaissez déjà ce produit.

Conservez ce manuel dans un endroit sûr, pour pouvoir le consulter par la suite.

Avertissements :

- N'essayez pas d'utiliser la hotte sans filtres à graisse ou si les filtres ont trop de graisse.
- N'installez pas la hotte au-dessus d'une cuisinière comportant un gril élevé.
- Ne laissez pas de friture sans surveillance pendant l'utilisation de la hotte, car il existe un risque d'incendie avec la graisse chaude ou l'huile.
- Ne laissez jamais de flammes nues sous la hotte.



- Si la hotte est endommagée, ne l'utilisez pas.
- Ne pas faire flamber les aliments sous la hotte.
- **PRUDENCE** : Les pièces accessibles peuvent être chaudes lorsqu'elles sont utilisées avec des appareils de cuisson.
- Distance minimale entre la surface d'appui des récipients de cuisson sur la plaque et la partie la plus basse de la hotte. (Si la hotte de cuisson est installée au-dessus d'un dispositif fonctionnant au gaz, la distance est 65 cm)
- L'air ne doit pas être évacué par un conduit utilisé pour l'évacuation des fumées d'autres appareils à gaz ou alimentés par d'autres carburants.



Ne jamais oublier de :

- Important ! Veuillez toujours couper l'alimentation électrique au secteur pendant l'installation ou l'entretien, comme par exemple le remplacement d'une ampoule électrique.
- La hotte doit être installée conformément aux instructions d'installation et toutes les mesures doivent être respectées.
- Tout travail d'installation doit être effectué par une personne compétente ou un électricien qualifié.
- Débarrassez-vous avec soin de l'emballage. Ils peuvent représenter un danger pour les enfants.
- Faites attention aux bords aiguisés se trouvant sur la hotte, notamment pendant l'installation et le nettoyage.
- Assurez-vous que le tuyau n'ait pas de courbure de plus de 90 degrés car ceci réduirait l'efficacité de la hotte.
- Avertissement : Le fait de ne pas installer les vis ou le dispositif de fixation conformément à ces instructions peut entraîner des risques électriques.
- Avertissement : Avant d'accéder aux appareils, tous les circuits d'alimentation doivent être coupés.

Ne jamais oublier de :

- Utilisez toujours des couvercles sur les casseroles et poêles quand vous cuisinez avec une gazinière.
- En modalité d'extraction, l'air de la pièce est utilisé par la hotte. Assurez-vous que la pièce soit bien aérée. Cette hotte élimine les odeurs de la pièce mais pas la vapeur.
- La hotte est prévue pour un usage domestique uniquement.



- Si le câble d'alimentation est endommagé, il doit être remplacé par le fabricant, son agent d'entretien ou des personnes dotées du même type de qualification, afin d'éviter tout risque.
- Cet appareil peut être utilisé par des enfants âgés de 8 ans et plus, par des personnes dont les capacités physiques, sensorielles ou mentales sont réduites ou par des personnes dénuées d'expérience et de connaissances, s'ils ont été informés de la manière d'utiliser l'appareil en toute sécurité et s'ils comprennent les risques qu'il implique. Les enfants ne doivent pas jouer avec l'appareil. L'entretien et le nettoyage ne doivent pas être effectués par des enfants sans surveillance.



Ne jamais oublier de :

- Attention : L'appareil et ses parties accessibles chauffent pendant l'utilisation. Ne pas toucher les éléments chauds. Les enfants de moins de 8 ans doivent se tenir éloignés, à moins qu'ils ne soient sous surveillance permanente.
- Il doit y avoir une ventilation adéquate de la pièce lorsque la hotte est utilisée en même temps que des appareils à gaz ou employant d'autres combustibles.
- Il existe un risque d'incendie si le nettoyage n'est pas réalisé conformément aux instructions.
- Les réglementations en matière d'évacuation de l'air doivent être respectées.
- Nettoyez votre appareil régulièrement en suivant la méthode indiquée au chapitre ENTRETIEN.
- Pour des raisons de sécurité, utilisez uniquement des vis de fixation ou de montage de la taille recommandée dans ce manuel d'instructions.
- Pour des explications concernant le mode et la fréquence de nettoyage, veuillez consulter le chapitre entretien et nettoyage de ce manuel d'instructions.
- L'entretien et le nettoyage ne doivent pas être effectués par des enfants sans surveillance.
- Lorsque la hotte et les appareils alimentés en énergie autre que l'électricité fonctionnent simultanément, la pression négative dans la pièce ne doit pas dépasser 4 Pa (4×10^{-5} bars).
- **AVERTISSEMENT** : Risque d'incendie : ne pas stocker d'éléments sur les surfaces de cuisson.
- N'utilisez jamais de nettoyeur à vapeur.
- N'essayez JAMAIS d'éteindre un feu avec de l'eau, mais éteignez l'appareil, puis couvrez la flamme avec un couvercle ou une couverture anti-feu, par exemple.

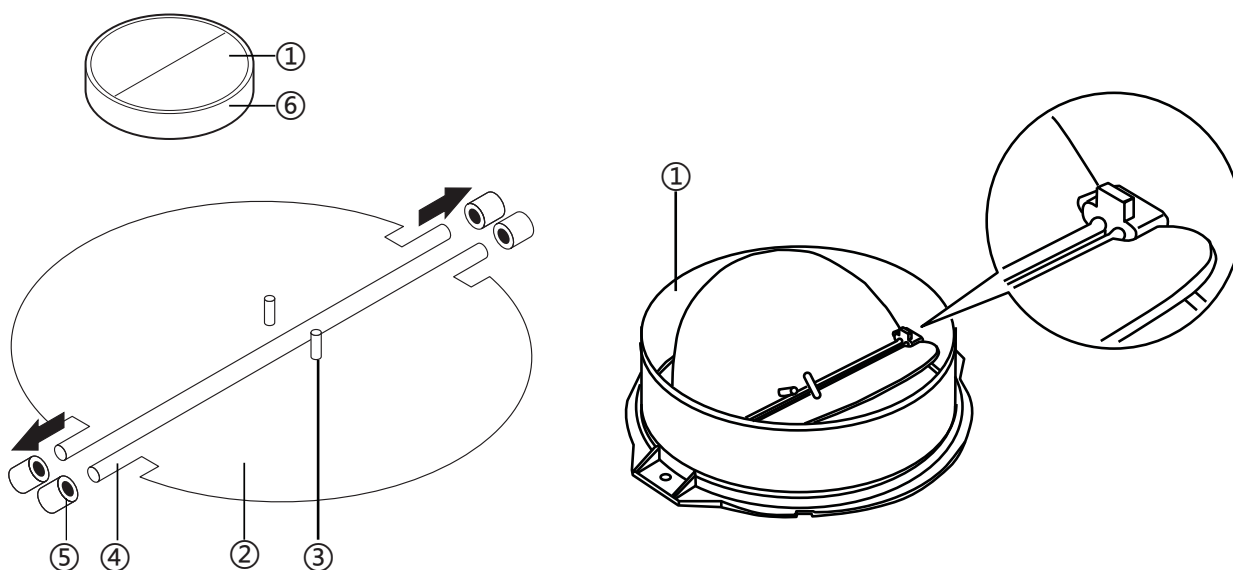
INSTALLATION (ÉVACUATION EXTERNE)

MONTAGE DU RABAT EN V

Si la hotte de cuisson n'a pas de volet en V assemblé 1, vous devez monter les demi-pièces sur son corps. Les images ne montrent qu'un exemple de montage du volet en V, car la sortie peut varier selon les modèles et les configurations.

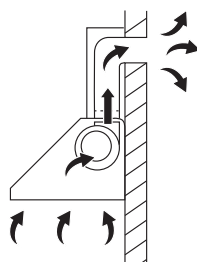
Pour le montage du volet en V 1, procédez comme suit :

- montez les deux moitiés 2 dans le corps 6
- la broche 3 doit être orientée vers le haut ;
- l'axe 4 doit être inséré dans les trous 5 du corps ;
- répétez les mêmes opérations pour la deuxième moitié.



INSTALLATION

Si vous avez une sortie vers l'extérieur, votre hotte peut être connectée comme sur l'image ci-dessous par un conduit d'évacuation (émail, aluminium, gaine souple ou matériau non inflammable avec un diamètre intérieur de 150 mm)



1. Avant l'installation, éteignez l'appareil.
2. Pour une prestation optimale, la hotte doit être placée à une distance de 65 à 75 cm au-dessus de la plaque de cuisson.

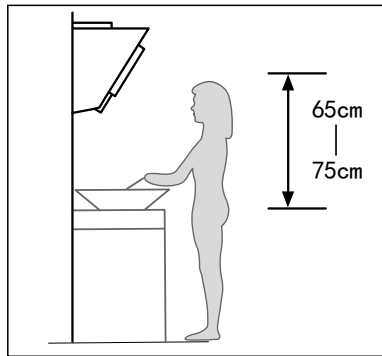


Photo 1

- Après avoir décidé de la hauteur de la hotte de cuisson, mesurez la position des trous pour la hotte suspendue, le support de cheminée intérieur, le support de cheminée extérieur et les trous de sécurité. Percez 8 $\varnothing 8$ trous et insérez des bouchons muraux dans les trous. Fixez le support de cheminée intérieur au mur avec 2 vis ST4 x 40 mm. Vissez 2 vis ST4 x 8 mm dans le trou pour accrocher le corps de la hotte et les vis installées devraient sortir de 3 à 5 mm du mur pour accrocher la hotte. La position fixe du support de cheminée intérieur est l'endroit le plus haut de la cheminée. Voir photo 2.

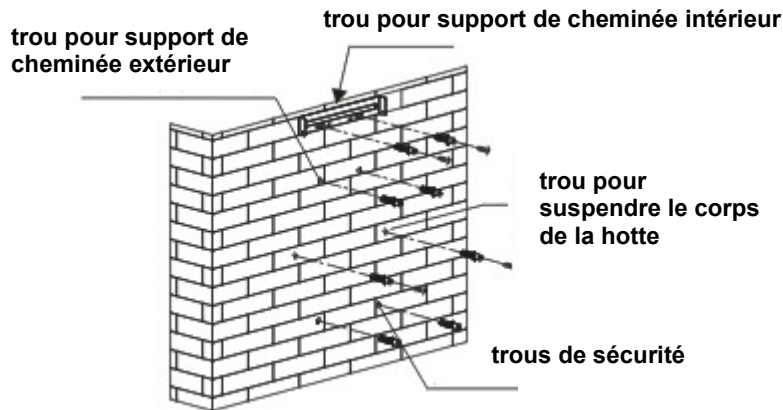


Photo 2

- Installez le volet en V (non inclus) et le tuyau d'expansion (non inclus) sur la hotte de la cuisinière. Fixez le tuyau d'expansion sur la sortie à l'aide d'un collier de serrage. À noter : Le tuyau d'expansion et le volet en V ne sont pas inclus dans le produit. Voir photo 3.
- Accrochez la hotte de la cuisinière au crochet. Voir photo 4.

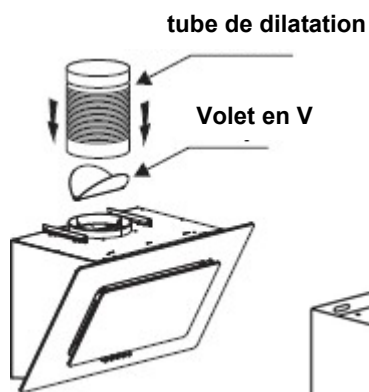


Photo 3

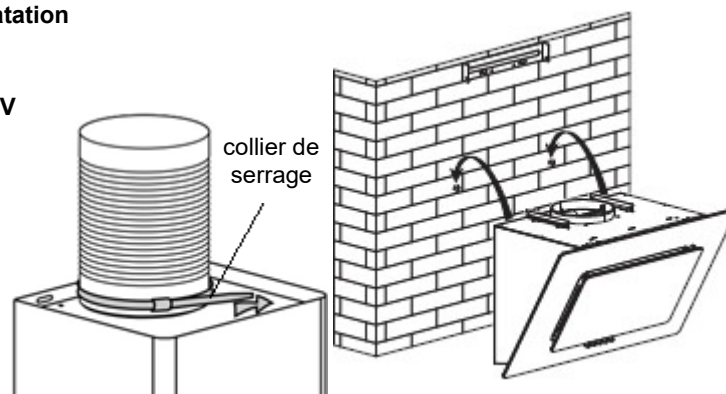


Photo 4

6. Installez le support de cheminée extérieure sur la cheminée extérieure avec 2 vis ST4*8 mm, assurez-vous que la cheminée intérieure peut être fléchée librement. Voir photo 5.
7. Fixez la hotte de cuisson avec 2 vis de sécurité ST4*30 mm. Remarque : Les deux événements de sécurité sont positionnés sur le logement arrière, avec un diamètre de 6 mm. Placez les deux cheminées sur la hotte de la cuisinière, fixez la cheminée extérieure au mur avec 2 vis ST4*40 mm et guidez le tuyau d'expansion vers l'extérieur. Voir photo 6.
8. Ajustez la hauteur de la cheminée intérieure à la position du support de cheminée intérieure et fixez-la à l'aide de 2 vis ST4*8 mm. Fixez la cheminée extérieure au corps de la hotte à l'aide de 2 vis ST4*8 mm Voir photo 7.

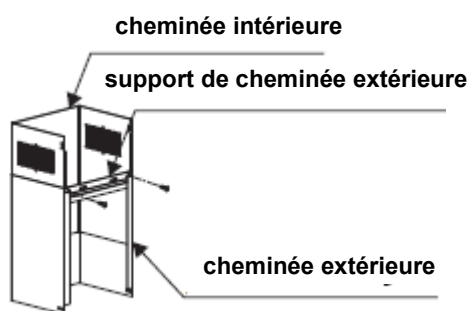


Photo 5



Photo 6

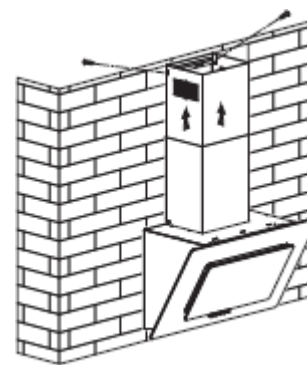


Photo 7

Installation électrique

Toute installation doit être effectuée par une personne compétente ou un électricien qualifié. Avant de brancher l'alimentation électrique, assurez-vous que la tension d'alimentation correspond à la tension sur la plaque signalétique.

Branchement direct

L'appareil doit être branché directement au secteur à l'aide d'un disjoncteur omnipolaire avec une ouverture minimale de 3 mm entre les contacts.

L'installateur doit s'assurer que le branchement électrique a été effectué correctement et qu'il est conforme au schéma de câblage.

Le câble ne doit pas être plié ou comprimé.


Vérifiez régulièrement que la prise électrique et le cordon d'alimentation ne sont pas endommagés. Si le cordon d'alimentation est endommagé, il doit être remplacé par un cordon ou un montage spécial disponible auprès du fabricant ou de son agent de maintenance.

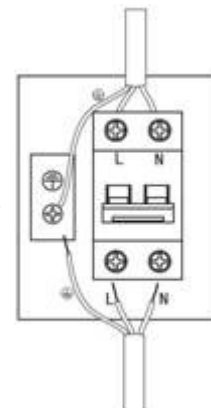
AVERTISSEMENT : Il s'agit d'un appareil de classe I et DOIT être mis à la terre

Cet appareil est fourni avec un câble d'alimentation à 3 conducteurs colorés comme suit :

Marron = L ou Live (phase)

Bleu = N ou Neutre

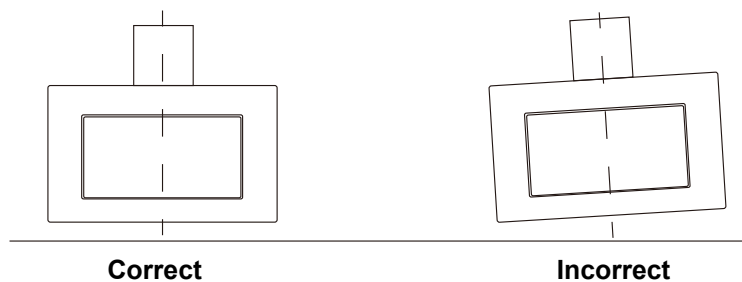
Vert et Jaune = E ou Earth (terre) 



CONSEILS POUR L'INSTALLATION DU CONDUIT D'ÉVACUATION

Les règles suivantes doivent être appliquées à la lettre pour obtenir une évacuation optimale de l'air :

- Gardez le conduit d'évacuation court et droit.
- Ne réduisez pas la taille ni restreignez le conduit d'échappement
- Lors de l'utilisation du conduit flexible, installez toujours le conduit tendu pour minimiser la perte de pression.
- Le non-respect de ces instructions de base diminue les performances et augmente la nuisance sonore de la hotte.
- Tout travail d'installation doit être effectué par un électricien qualifié ou une personne compétente.
- Ne raccordez pas le système d'évacuation de la hotte à un système de ventilation déjà en place, utilisé pour un autre appareil, tel qu'un tuyau de réchaud, un tuyau de gaz ou un tuyau à air chaud.
- L'angle de courbure du conduit d'évacuation ne doit pas être inférieur à 120 ° ; vous devez diriger le conduit horizontalement ou, en alternative, le conduit doit monter depuis le point initial et être dirigé jusqu'à la sortie dans la mur.
- Après l'installation, assurez-vous que la hotte est d'aplomb pour éviter l'accumulation de graisse en fin de parcours.



Assurez-vous que le conduit d'évacuation utilisé pour l'installation est conforme aux normes en vigueur et ignifuge.

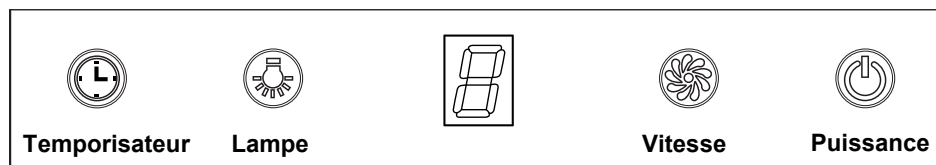
AVERTISSEMENT :



- Pour des raisons de sécurité, utilisez uniquement des vis de fixation ou de montage de la taille recommandée dans ce manuel d'instructions.
- Le fait de ne pas installer les vis ou le dispositif de fixation conformément à ces instructions peut entraîner des risques électriques.

Comment utiliser votre hotte de cuisson

Commande tactile



1. Appuyez sur le bouton « Marche/Arrêt », le bouton commande la « Marche/Arrêt » de la hotte.
2. Appuyez à chaque fois sur le bouton « Vitesse », le moteur tourne à régime bas / moyen / haut / bas / moyen..., la vitesse tourne circulairement; et l'affichage LED indiquera 1-2-3-1-2... circulairement.
3. Appuyez sur le bouton « Lampe », la lumière est allumée, appuyez à nouveau sur ce bouton, la lumière est éteinte. Veuillez noter que le voyant n'est pas commandé par le bouton de marche/arrêt.
4. Lorsque la hotte fonctionne, si vous appuyez sur le bouton « Minuterie », la hotte se mettra en mode de fonctionnement acquiescent (le temps acquiescent est de 9 minutes), puis l'affichage LED s'affichera 9.8.7.6 ...diminuant de 1, lorsque le temps est écoulé, la hotte s'éteindra automatiquement ainsi que la lampe. Si vous appuyez sur le bouton « Timer », la hotte entrera ou sortira de la fonction « Timer ».

DÉPANNAGE

Problème	Cause possible	Solution
Lumière allumée, mais le moteur ne fonctionne pas.	Le commutateur de ventilation est désactivé.	Sélectionnez une position active du commutateur de ventilation.
	Le commutateur de ventilation est endommagé.	Contactez le service après-vente.
	Le moteur est endommagé.	Contactez le service après-vente.
L'éclairage ne fonctionne pas, le moteur ne fonctionne pas.	Les fusibles ont grillé.	Réinitialisez/Remplacez les fusibles.
	Le câble d'alimentation est desserré ou débranché	Rebranchez le câble d'alimentation sur la prise de courant. Connectez la prise d'alimentation.
Fuite d'huile.	Le clapet de non-retour n'est pas correctement scellé à la sortie.	Démontez le clapet de non-retour et scellez avec du mastic.
	Fuite du raccordement entre le conduit et le boîtier.	Démonter le conduit et scellez.
Les lumières ne fonctionnent pas.	Ampoules cassées ou défectueuses	Remplacez les ampoules conformément à cette instruction.
Aspiration insuffisante.	La distance entre la hotte et la plaque de cuisson est trop grande.	Repositionnez la hotte à la bonne distance.
La hotte de cuisson penche.	La vis de fixation n'est pas assez serrée	Serrez la vis du support d'accrochage en position parfaitement horizontale.

REMARQUE :



Toute réparation de votre appareil doit être conforme aux lois locales, nationales ou fédérales. Veuillez contacter le service après-vente si vous avez des doutes avant d'opérer selon les instructions ci-dessus. L'appareil doit toujours être déconnecté du secteur d'alimentation avant d'être ouvert.

ENTRETIEN ET NETTOYAGE

Attention :

- Avant toute opération d'entretien ou de nettoyage, la hotte doit être débranchée du secteur. Assurez-vous que la hotte de cuisson est éteinte au niveau de la prise murale.
- Les surfaces externes sont sensibles aux rayures et aux abrasions : veuillez respecter les consignes de nettoyage, afin d'obtenir le meilleur résultat possible, sans rien endommager.

CONSIGNES GÉNÉRALES

Le nettoyage et l'entretien doivent être mis en œuvre quand l'appareil est refroidi, tout particulièrement pour le nettoyage. Évitez de passer des substances alcalines ou acides (jus de citron, vinaigre, etc.) sur les surfaces.

ACIER INOXYDABLE

L'acier inoxydable doit régulièrement être nettoyé (par ex. toutes les semaines) pour s'assurer une longue durée de vie. Essuyez avec un chiffon doux propre. On peut utiliser un produit d'entretien spécialement conçu pour l'acier inoxydable.

REMARQUE :

Prenez soin d'essuyer avec un chiffon qui n'endommage pas la surface de l'acier inoxydable, pour éviter l'apparition de motifs rayés croisés disgracieux.

SURFACE DU PANNEAU DE COMMANDE

Le panneau de commande incorporé peut-être nettoyé avec de l'eau savonneuse. Assurez-vous que le chiffon est propre et bien essoré avant de nettoyer. Utilisez un chiffon doux et sec pour éliminer toute trace d'humidité après avoir nettoyé.

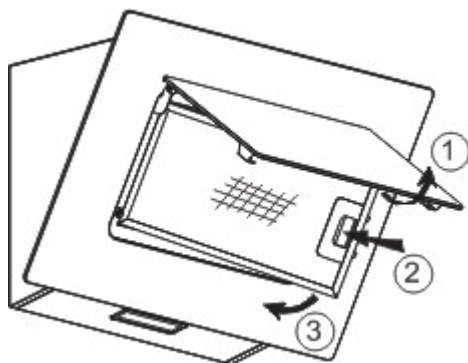
Important

Utilisez des détergents neutres et évitez d'utiliser des produits chimiques agressifs, des détergents ménagers solides ou des produits contenant des abrasifs, car cela détériorera la surface de l'appareil et effacera potentiellement toute impression d'illustration sur le panneau de commande et annulera la garantie du fabricant.

FILTRES À GRAISSE EN CAISSETTES MÉTALLIQUES

Les filtres à graisse en caissettes métalliques peuvent être lavés à la main. Trempez-les pendant environ 3 minutes dans de l'eau avec un détergent doux, puis brossez-les doucement avec une brosse souple. Veuillez ne pas exercer trop de pression, pour éviter de les endommager. (Laissez-les sécher naturellement à l'abri de la lumière directe du soleil)

Les filtres doivent être lavés séparément de la vaisselle et des ustensiles de cuisine. Il est conseillé de ne pas utiliser de produit de rinçage. Suivez l'illustration ci-contre pour démonter le filtre à graisse.



INSTALLATION DES FILTRES À GRAISSE EN CAISSETTES MÉTALLIQUES

- Installer des filtres selon les quatre étapes suivantes.
- Inclinez le filtre dans les fentes au dos de la hotte.
- Appuyez sur le bouton de la poignée du filtre.
- Relâchez la poignée quand le filtre est dans sa position définitive.
- Répétez l'opération pour installer tous les filtres.

FILTRE À CHARBON - non fourni

Les filtres à charbon actif sont utilisés pour absorber les odeurs. Normalement, le filtre à charbon actif doit être remplacé tous les 3 à 6 mois selon vos habitudes de cuisson.

La procédure d'installation des filtres à charbon actif est la suivante :


1. Avant d'installer ou de remplacer les filtres à charbon, veuillez couper l'alimentation électrique de l'appareil.
2. Appuyez sur blocage du filtre et retirez le filtre à maille.
3. Tournez le filtre à charbon des deux côtés dans le sens inverse des aiguilles d'une montre. Remontez les filtres à charbon avec leur nouveaux filtres.
4. Remontez le filtre à maille.
5. Branchez l'appareil à la prise murale d'alimentation.



REMARQUE :

- Assurez-vous que le filtre soit correctement enclenché. Sinon, il se desserrerait et pourrait devenir dangereux.
- Quand le filtre à charbon actif est enclenché, la force d'aspiration baisse.

REPLACEMENT D'UNE LAMPE

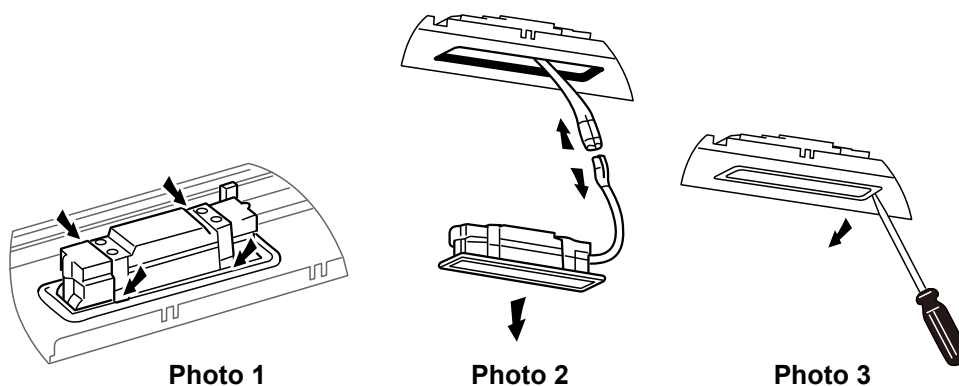
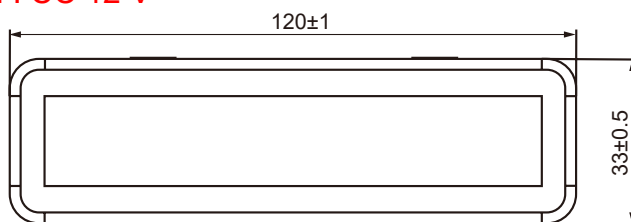
<p>Important :</p> 	<ul style="list-style-type: none">✧ L'ampoule doit être remplacée par le fabricant, son agent de service ou des personnes possédant les mêmes qualifications.✧ Toujours couper l'alimentation électrique avant d'effectuer toute opération sur l'appareil. Lors de la manipulation de l'ampoule, assurez-vous qu'elle a complètement refroidi avant tout contact direct avec les mains.✧ Lorsque vous manipulez des ampoules, tenez-les avec un chiffon ou des gants pour vous assurer que la transpiration n'entre pas en contact avec l'ampoule car cela peut réduire la durée de vie de l'ampoule.
--	---

Remarque :

- Avant de remplacer la lumière, la hotte peut être isolée de la source d'alimentation au moyen d'une fiche ou d'un interrupteur omnipolaire.
- Protégez-vous contre les dangers liés au changement de lampe, par exemple en portant des gants.

Remplacement des lampes :

- Retirez les filtres à graisse.
- 1^{re} méthode Utilisez un outil ou la main pour presser l'éclat à ressort des deux côtés de la lampe LED vers l'intérieur, jusqu'à ce que la lampe soit pressée vers l'extérieur, voir la photo 1. Tirez ensuite légèrement le fil de connexion de la lampe et démontez la borne du fil de connexion de la lampe. Voir photo 2.
- 2^e méthode Utilisez un tournevis droit pour gagner le bord inférieur de la lumière LED, voir la photo 3, puis retirez légèrement la lumière LED et le fil de connexion de la lumière. Voir photo 2.
- Procédez dans le sens inverse pour monter à nouveau la lampe.
- **Le code ILCOS D pour cette lampe est : DSS-1.5/65-S-120/33**
- **Modules LED - lampe LED rectangulaire**
- **Puissance max. : 1×1,5 W**
- **Plage de tension : CC 12 V**
- **Dimensions :**



PROTECTION ENVIRONNEMENTALE :



Ce produit se distingue par le symbole du tri sélectif des équipements électroniques. Cela signifie que ce produit ne doit pas être éliminé en tant que déchet ménager, mais qu'il doit être traité selon un système de collecte sélective, conformément à la directive 2012/19/CE. Il sera ensuite recyclé ou démantelé pour minimiser son impact environnemental ; les produits électriques et électroniques sont potentiellement dangereux pour l'environnement et la santé humaine en raison de substances toxiques. Pour plus d'informations, veuillez contacter les autorités locales ou régionales de votre secteur.

REMARQUE :

Ce qui suit montre comment réduire l'impact total sur l'environnement (par exemple, l'utilisation d'énergie) par le processus de cuisson.

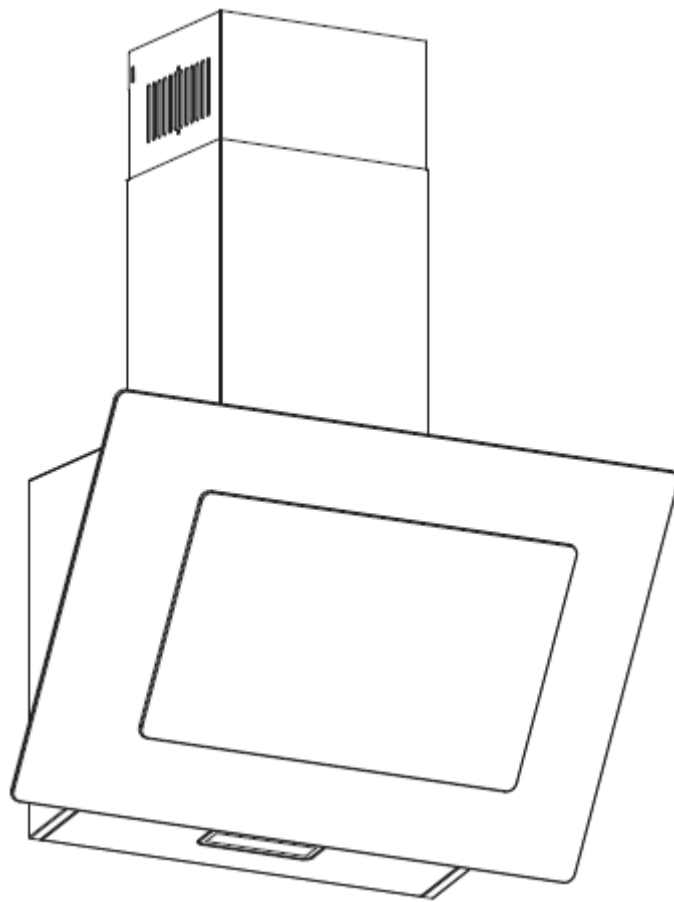
- (1) Installez la hotte de cuisson dans un emplacement approprié, là où la ventilation est efficace.
- (2) Nettoyez régulièrement la hotte pour ne pas compromettre le passage de l'air.
- (3) N'oubliez pas d'éteindre la lumière de la hotte après avoir cuisiné.
- (4) N'oubliez pas d'éteindre la hotte après avoir cuisiné.

INFORMATION SUR LE DÉMANTÈLEMENT

Ne démontez pas l'appareil d'une façon autre que celle qui est montrée dans le manuel de l'utilisateur. L'appareil ne doit pas être démantelé par l'utilisateur. À la fin de son cycle de vie, l'appareil ne doit pas être mis au rebut avec les ordures ménagères. Renseignez-vous auprès des autorités locales ou de votre prestataire de services pour obtenir des conseils sur le recyclage.

CDG6CBG

Campana extractora Manual de instrucciones



Contenido

1. Instrucciones de seguridad	30
2. Instalación	32
3. Empieza a usar tu campana extractora	36
4. Resolución de problemas	36
5. Mantenimiento y limpieza	37
6. Protección ambiental	39

INSTRUCCIONES DE SEGURIDAD

Este manual explica la correcta instalación y uso de su campana extractora, por favor, léalo detenidamente antes de utilizarlo aunque esté familiarizado con el producto. El manual debe guardarse en un lugar seguro para futuras referencias.

Nunca operar de lo siguiente modo:

- ¡No intente usar la campana extractora sin los filtros de grasa o si los filtros están excesivamente recubiertos de grasa!
- No la instale sobre una cocina con una parrilla de alto nivel.
- No deje las sartenes desatendidas durante su uso porque las grasas o aceites sobrecalentados pueden incendiarse.
- Nunca dejes llamas libres bajo la campana extractora.



- Si la campana extractora está dañada, no intente usarla.
- No flambees bajo la campana extractora.
- **PRECAUCIÓN:** Las partes accesibles pueden calentarse cuando se usan con electrodomésticos de cocina.
- La distancia mínima entre la superficie de apoyo de los recipientes de cocción en la placa de cocción y la parte más baja de la campana extractora. (Cuando la campana extractora esté situada encima de un electrodoméstico de gas, esta distancia será de al menos 65 cm)
- El aire no debe descargarse en un conducto de humos que se utiliza para expulsar los gases de los electrodomésticos que queman gas u otros combustibles.



Siempre operar de lo siguiente modo:

- ¡Importante! Desconecte siempre el suministro eléctrico de la red durante la instalación y el mantenimiento, como el cambio de bombillas.
- La campana extractora debe ser instalada de acuerdo con las instrucciones de instalación y todas las medidas deben ser respetadas.
- Todo el trabajo de instalación debe ser realizado por un electricista cualificado u otro profesional competente.
- Por favor, deshágase del material de embalaje con cuidado. Los niños son vulnerables a ello.
- Preste atención a los bordes afilados dentro de la campana extractora, especialmente durante la instalación y la limpieza.
- Asegúrese de que los conductos no tengan curvas más agudas de 90 grados, ya que esto reducirá la eficiencia de la campana extractora.
- Advertencia: Si no se instalan los tornillos o el dispositivo de fijación de acuerdo con estas instrucciones, pueden producirse riesgos eléctricos.
- Advertencia: Antes de acceder a los terminales, hay que desconectar todos los circuitos de suministro.

Siempre operar de lo siguiente modo:

- Siempre ponga tapas en las ollas y sartenes cuando cocine en una cocina de gas.
- Cuando está en modo de extracción, el aire de la habitación es removido por la campana extractora. Por favor, asegúrese de que se observen las medidas de ventilación adecuadas. La campana extractora elimina los olores de la habitación pero no el vapor.
- La campana extractora es para uso doméstico exclusivamente.



- Para evitar riesgos, el fabricante, su representante de servicio o cualquier otra persona cualificada deben cambiar los cables de alimentación que estén dañados.
- Pueden utilizarlo niños a partir de 8 años de edad y personas con facultades físicas, sensoriales o mentales reducidas, o con falta de experiencia y conocimiento, si lo emplean bajo supervisión o se les instruye acerca de la seguridad del producto y entienden los riesgos que comporta. Los niños no deben jugar con el electrodoméstico. Los niños no deben limpiar ni mantener el producto sin supervisión.



Siempre operar de lo siguiente modo:

- Precaución: El electrodoméstico y sus partes accesibles se pueden calentar durante el funcionamiento. Tenga cuidado de no tocar los elementos calefactores. Los niños menores de 8 años deben mantenerse alejados a menos que estén bajo supervisión permanente.
- Habrá una ventilación adecuada de la habitación cuando se utilice la campana extractora al mismo tiempo que los aparatos de gas u otros combustibles.
- Existe un riesgo de incendio si la limpieza no se realiza de acuerdo con las instrucciones.
- Deben cumplirse las normas relativas a la descarga de aire.
- Limpie su aparato periódicamente siguiendo el método indicado en el capítulo MANTENIMIENTO.
- Por razones de seguridad, por favor use sólo el mismo tamaño de tornillo de fijación o de montaje que se recomienda en este manual de instrucciones.
- En cuanto a los detalles sobre el método y la frecuencia de la limpieza, consulte la sección de mantenimiento y limpieza de este manual de instrucciones.
- Los niños no deben limpiar ni mantener el producto sin supervisión.
- Cuando la campana extractora eléctrica y los dispositivos funcionen con otro tipo de alimentación que no sea electricidad durante el funcionamiento, la presión negativa de la sala no debería ser superior a 4 Pa (4 x 10⁻⁵ bar).
- **ADVERTENCIA:** Peligro de incendio; no coloque objetos sobre las superficies de cocción.
- No utilice limpiadores a vapor.
- **NUNCA** intente apagar el fuego con agua; apague la encimera y cubra la llama con una tapa o una manta ignífuga, por ejemplo.

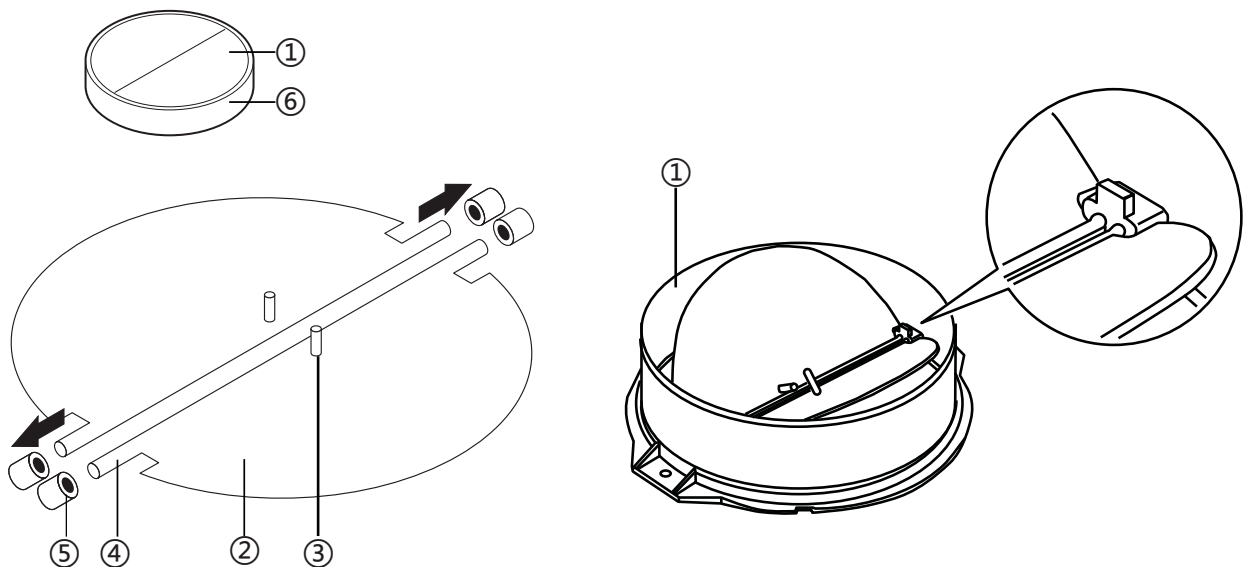
INSTALACIÓN (SALIDA EXTERIOR)

MONTAJE DE LA ALETA EN V

Si la campana extractora no tiene montada la aleta en V 1, deberá montar las semi-piezas en su cuerpo. Las imágenes sólo muestran un ejemplo de cómo montar la aleta en V, ya que la salida puede variar según los diferentes modelos y configuraciones.

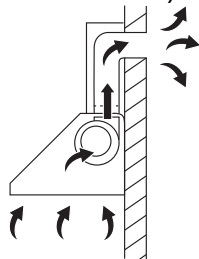
Para montar la aleta en V 1, deberías:

- Montar dos semi-piezas 2 en el cuerpo 6
- la clavija 3 debe estar orientada hacia arriba;
- el eje 4 debe ser insertado en los agujeros 5 del cuerpo;
- repetir todas las operaciones para la segunda semi-pieza.



INSTALACIÓN

Si tiene una salida al exterior, su campana extractora puede conectarse como en la foto de abajo mediante un conducto de extracción (esmalte, aluminio, tubo flexible o material no inflamable con un diámetro interior de 150 mm)



1. Antes de la instalación, apague la unidad.
2. La campana extractora debe colocarse a una distancia de 65~ 75 cm de la superficie de cocción para obtener resultados óptimos.

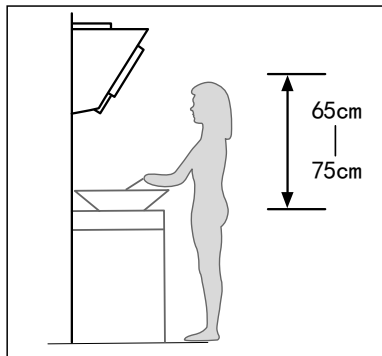


Fig. 1

- Después de decidir la altura de la campana extractora, mide la posición de los agujeros para la campana colgante, el soporte de la chimenea interior, el soporte de la chimenea exterior y los agujeros de seguridad. Taladre 8 agujeros de diámetro 8 e inserte tapones de pared en los agujeros. Fije el soporte interior de la chimenea en la pared con 2 tornillos ST4 x 40 mm. Atornille 2 tornillos ST4 x 8 mm en el agujero para colgar el cuerpo de la campana y los tornillos instalados deben dejar 3-5 mm fuera de la pared para colgar la campana. La posición fija del soporte interior de la chimenea es el lugar más alto de la chimenea. Consulte la figura 2.

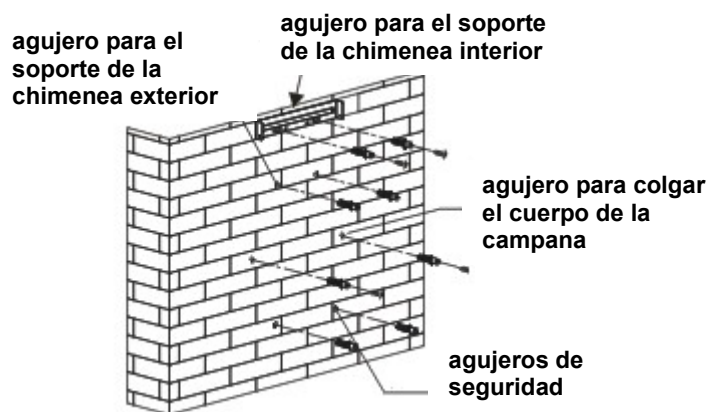


Fig. 2

- Instale la aleta en V (no incluida) y el tubo de expansión (no incluido) en la campana extractora. Fije el tubo de expansión en la toma de corriente con una abrazadera para cables. Tenga en cuenta que: El tubo de expansión y la aleta en V no están incluidos en el producto. Consulte la figura 3.
- Cuelgue la campana extractora en los enganche. Consulte la figura 4.



Fig. 3

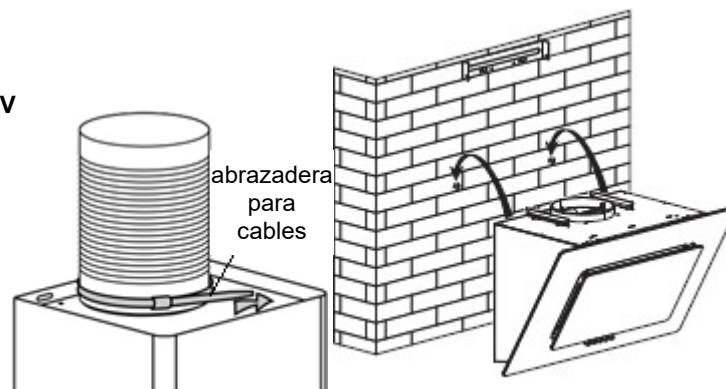


Fig. 4

6. Instale el soporte de la chimenea exterior en la chimenea exterior con 2 tornillos ST4x8 mm, aquí debe asegurarse de que la chimenea interior se puede flexionar libremente. Ver Fig. 5.
7. Fije la campana extractora con 2 tornillos de seguridad ST4x30 mm. Nota: Las dos aberturas de seguridad están situadas en la carcasa trasera, con un diámetro de 6 mm. Ponga las dos chimeneas en la campana extractora, fije la chimenea exterior en la pared con 2 tornillos ST4x40 mm y lleve el tubo de expansión al exterior. Consulte la fig. 6.
8. Ajuste la altura de la chimenea interior a la posición del soporte de la chimenea interior y fíjelo con 2 tornillos ST4x8 mm. Fije la chimenea exterior al cuerpo de la campana con 2 tornillos ST4x8 mm. Consulte la fig. 7.

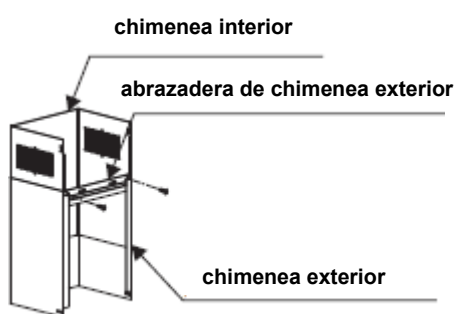


Fig. 5

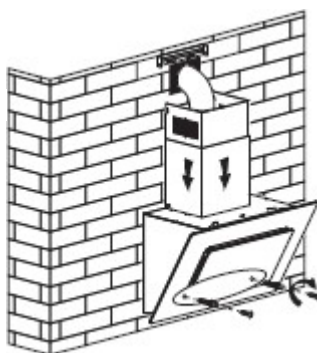


Fig. 6

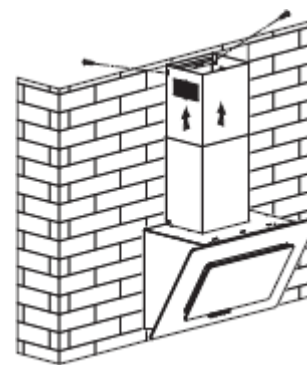


Fig. 7

Instalación eléctrica

Toda la instalación debe ser realizada por un electricista cualificado u otro profesional competente. Antes de conectar la alimentación de la red, asegúrese de que la tensión de la red corresponda a la tensión que figura en la placa de características.

Conexión directa

El electrodoméstico se conecta directamente a la corriente, utilizando un disyuntor omnipolar con una distancia mínima de 3 mm entre los contactos.

El instalador debe asegurarse de que la conexión a la red eléctrica se haya realizado correctamente y cumpliendo el esquema eléctrico.

El cable no debe doblarse ni aplastarse.

Revise regularmente el enchufe y el cable de alimentación para ver si están dañados. Si el cable de suministro está dañado, debe ser reemplazado por un cable o conjunto especial disponible en el fabricante o su agente de servicio.

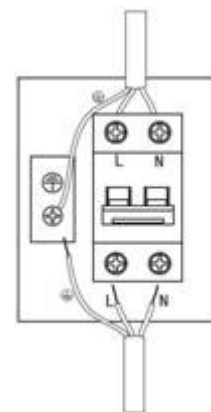
ADVERTENCIA: Este es un aparato de Clase I y DEBE ser conectado a tierra

Este aparato se suministra con un cable de red de 3 hilos del siguiente color:

Marrón = L o CORRIENTE

Azul = N o NEUTRAL

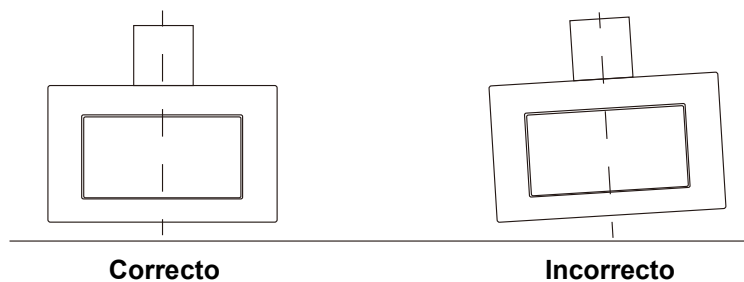
Verde y amarillo = E o TIERRA




CONSEJOS PARA LA INSTALACIÓN DEL CONDUCTO DE ESCAPE

Las siguientes reglas deben ser seguidas estrictamente para obtener una óptima extracción de aire:

- Mantenga el conducto de escape corto y recto
- No reduzca el tamaño ni restrinja el conducto de escape
- Al usar el conducto flexible, siempre instale el conducto tensado para minimizar la pérdida de presión.
- Si no se observan estas instrucciones básicas, se reducirá el rendimiento y se incrementarán los niveles de ruido de la campana extractora.
- Cualquier trabajo de instalación debe ser realizado por un electricista cualificado u otro profesional competente.
- No conecte el sistema de tubos de la campana a ningún sistema de ventilación existente que se esté utilizando con otro electrodoméstico, como el tubo de un calentador, un tubo de gas o un tubo de aire caliente.
- El codo del tubo de ventilación no debe tener un ángulo superior a 120°; aunque el tubo debe tenderse en horizontal, también podría tener pendiente ascendente desde el punto inicial y dirigirse hacia una pared exterior.
- Tras la instalación, asegúrese de que la campana extractora esté nivelada para evitar la acumulación de grasa en un extremo.

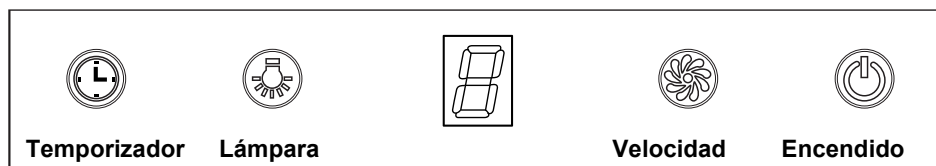


Asegúrese de que los conductos de escape seleccionados para la instalación cumplen con las normas pertinentes y son retardantes del fuego.

<p>ADVERTENCIA:</p> 	<ul style="list-style-type: none">➤ Por razones de seguridad, por favor use sólo el mismo tamaño de tornillos de fijación o de montaje que se recomienda en este manual de instrucciones.➤ Si no se instalan los tornillos o el dispositivo de fijación de acuerdo con estas instrucciones, pueden producirse riesgos eléctricos.
--	--

Empieza a usar tu campana extractora

Mando táctil



1. Presiona el botón "Encendido", el botón controla el "encendido" y "apagado" de la campana.
2. Presiona el botón "Velocidad" una y otra vez, el motor funciona como bajo / medio / alto / bajo / medio..., la velocidad funciona de forma circular; y la pantalla LED indicará como 1-2-3-1-2... circularmente.
3. Presiona el botón "Lámpara", la luz está encendida, presiona este botón de nuevo, la luz está apagada. Tenga en cuenta que la lámpara no está bajo el control del botón de encendido/apagado.
4. Cuando la campana está funcionando, si se presiona el botón "Temporizador", la campana entrará en el estado de funcionamiento de reposo (el tiempo de reposo es de 9 minutos), y entonces, la pantalla LED se mostrará 9.8.7.6 ...disminuyendo en 1, cuando el tiempo se acabe, la campana se apagará automáticamente y la lámpara se apagará. Si se presiona el botón "Temporizador", la campana entrará o saldrá de la función "Temporizador".

RESOLUCIÓN DE PROBLEMAS

Fallo	Posible causa	Solución
La lámpara se enciende, pero el motor no funciona	El interruptor del ventilador está apagado	Seleccione una posición del interruptor del ventilador.
	El interruptor del ventilador falló	Contacte con el centro de servicio.
	El motor falló	Contacte con el centro de servicio.
La lámpara no funciona, el motor no funciona	Fusibles de la casa quemados	Reinicie/Reemplaze los fusibles.
	El cable de alimentación de la red está suelto o desconectado	Vuelva a colocar el cable de alimentación en la toma de corriente. Encienda la toma de corriente.
Pérdida de aceite	La válvula unidireccional y la salida no están bien selladas	Quita la válvula unidireccional y sállala con sellador.
	Fuga de la conexión de la chimenea y la cubierta	Baje la chimenea y selle.
Las lámparas no funcionan	Bombillas rotas o defectuosas	Reemplace las bombillas según estas instrucciones.
Aspiración insuficiente	La distancia entre la campana extractora y la plancha de gas es demasiado grande	Vuelva a colocar la campana extractora a la distancia correcta.
La campana extractora se inclina	El tornillo de fijación no está lo suficientemente apretado	Apriete el tornillo de suspensión y póngalo en posición horizontal.

NOTA:



Cualquier reparación eléctrica de este electrodoméstico debe ajustarse a las leyes locales, estatales y federales. En caso de duda, póngase en contacto con el centro de servicio técnico antes de llevar a cabo cualquiera de las operaciones anteriores. Desconecte siempre el electrodoméstico de la fuente de alimentación al abrirlo.

MANTENIMIENTO Y LIMPIEZA

Precaución:

- Antes de realizar el mantenimiento o la limpieza, la campana extractora debe desconectarse de la red eléctrica. Asegúrese de que la campana extractora esté apagada en el enchufe de la pared.
- Las superficies externas son susceptibles a los arañazos y abrasiones, así que se aconseja de seguir las instrucciones de limpieza para asegurar el mejor resultado posible sin daños.

CONSIDERACIONES GENERAL

La limpieza y el mantenimiento deben llevarse a cabo con el electrodoméstico frío, especialmente al limpiarlo, evitando dejar sustancias alcalinas o ácidas (zumo de limón, vinagre, etc.) en las superficies.

ACERO INOXIDABLE

El acero inoxidable debe ser limpiado regularmente (por ejemplo, semanalmente) para asegurar una larga vida útil. Secar con un paño limpio y suave. Se puede utilizar un líquido limpiador especial de acero inoxidable.

NOTA:

Asegúrate de que la limpieza se hace junto con el grano del acero inoxidable para evitar que aparezca cualquier patrón antiestético de arañazos entrecruzados.

SUPERFICIE DEL PANEL DE CONTROL

Las incrustaciones en el panel de control pueden limpiarse con agua jabonosa tibia. Asegúrese de que el paño esté limpio y bien escurrido antes de limpiarlo. Utilice un paño seco y suave para eliminar el exceso de humedad que quede después de la limpieza.

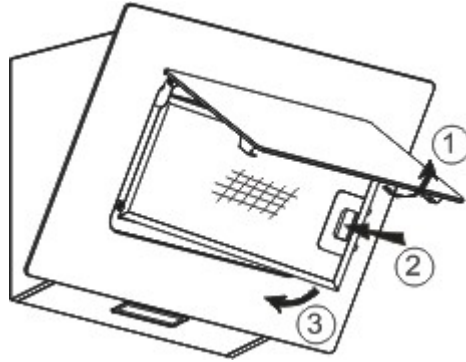
¡Importante!

Use detergentes neutros y evite el uso de productos químicos de limpieza fuertes, detergentes domésticos fuertes o productos que contengan abrasivos, ya que esto afectará al aspecto del electrodoméstico y potencialmente eliminará cualquier impresión en el panel de control y anulará la garantía del fabricante.

FILTROS DE MALLA PARA GRASA

Los filtros de malla se pueden limpiar a mano. Póngalos a remojo durante 3 minutos en agua templada con un detergente que disuelva la grasa y luego frótelos suavemente con un cepillo blando. No ejerza demasiada presión si no quiere dañar el filtro. (Dejar secar naturalmente fuera de la luz directa del sol)

Los filtros deben lavarse por separado para la vajilla y los utensilios de cocina. Se aconseja no usar abrillantador. Seguir la imagen de al lado para desmontar el filtro de grasa.



MONTAJE DE LOS FILTROS DE MALLA PARA GRASA

- Instalar filtros en los siguientes cuatro pasos:
- Incline el filtro en las ranuras de la parte trasera de la campana.
- Pulse el botón situado en el mango del filtro.
- Suelte el mango una vez que el filtro quede en posición de reposo.
- Repita para instalar todos los filtros.

FILTRO DE CARBON - no suministrado

El filtro de carbón activo puede utilizarse para atrapar olores. Normalmente el filtro de carbón activo debe ser cambiado cada 3 a 6 meses de acuerdo a sus hábitos de cocina.

El procedimiento de instalación del filtro de carbón activo es el siguiente:

1. Antes de instalar o sustituir los filtros de carbón, por favor desconecte la alimentación del electrodoméstico.
2. Presione el bloqueo del filtro y retire el filtro de malla.
3. Gire el filtro de carbón a ambos lados del motor en sentido contrario a las agujas del reloj. Sustituya los filtros de carbono por los nuevos filtros de carbono.
4. Coloque el filtro de malla.
5. Conecte la fuente de alimentación al enchufe de la pared.



NOTA:

- Asegúrese de que el filtro esté bien cerrado. De lo contrario, se aflojaría y causaría peligro.
- Cuando el filtro de carbón activado se coloca, la potencia de aspiración se reduce.

SUSTITUCIÓN DE LA BOMBILLA

¡Importante:!



- ✧ La bombilla debe ser sustituida por el fabricante, su agente de servicio o por personas con una cualificación similar.
- ✧ Desconecte siempre el suministro eléctrico antes de realizar cualquier operación en el electrodoméstico. Cuando manipule la bombilla, asegúrese de que se ha enfriado completamente antes de cualquier contacto directo con las manos.
- ✧ Al manipular las bombillas, sujételas con un paño o guantes para asegurarse de que la transpiración no entre en contacto con la bombilla, ya que esto puede reducir la vida de la misma.

Nota:

- Antes de cambiar la lámpara, la campana extractora puede aislarse de la red de suministro mediante un enchufe o un interruptor omnipolar.
- Protegerse contra el peligro cuando se cambian las lámparas, como el uso de guantes.

Cambio de las lámparas:

- Quite el filtros para grasa.
 - Método 1. Utilice una herramienta o la mano para presionar la astilla del resorte de ambos lados de la luz LED hacia el interior, hasta que la luz sea presionada hacia fuera, ver la fig. 1. Luego tire ligeramente del cable de conexión de la luz hacia fuera, y desmonte el terminal del cable de conexión de la luz. Consulte la figura 2.
 - Método 2. Use un destornillador recto para subir el borde inferior de la luz LED, consulte la fig. 3. Luego saque ligeramente la luz LED y el cable de conexión de la luz. Consulte la figura 2.
 - Aplique el procedimiento inverso para instalar la luz de nuevo.
- El código ILCOS D de esta lámpara es: **DSS-1.5/65-S-120/33**
 - Módulos LED - lámpara LED rectangular
 - Máxima potencia: 1x1,5 W
 - Rango de tensión: CC 12 V
 - Dimensiones:

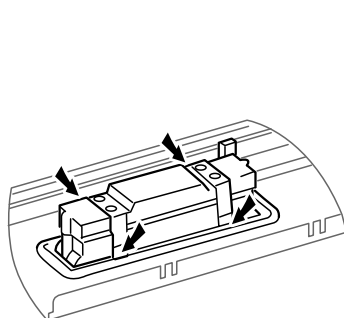
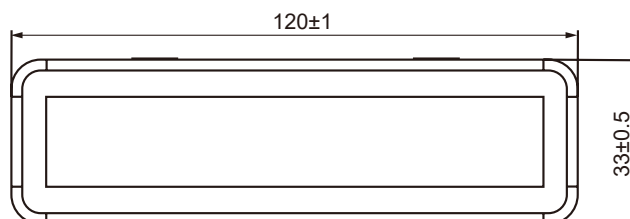


Fig. 1

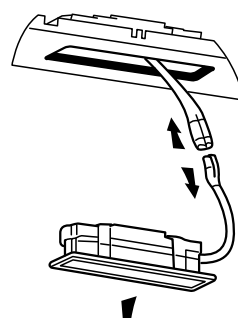


Fig. 2

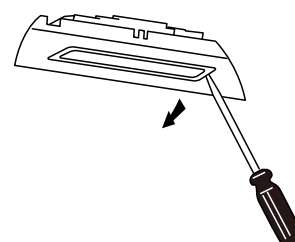



Fig. 3

PROTECCIÓN AMBIENTAL

	<p>Este producto está marcado con el símbolo en la clasificación selectiva de los residuos de equipos electrónicos. Esto significa que este producto no debe eliminarse con los residuos domésticos, sino que debe estar respaldado por un sistema de recogida selectiva de conformidad con la Directiva 2012/19/UE. A continuación se reciclará o desmantelará para minimizar los impactos en el medio ambiente, los productos eléctricos y electrónicos son potencialmente peligrosos para el medio ambiente y la salud humana debido a la presencia de sustancias peligrosas. Para obtener información detallada, póngase en contacto con las autoridades locales o regionales.</p>
---	--

NOTA:

A continuación se muestra cómo reducir el impacto ambiental total (por ejemplo, el uso de energía) del proceso de cocción).

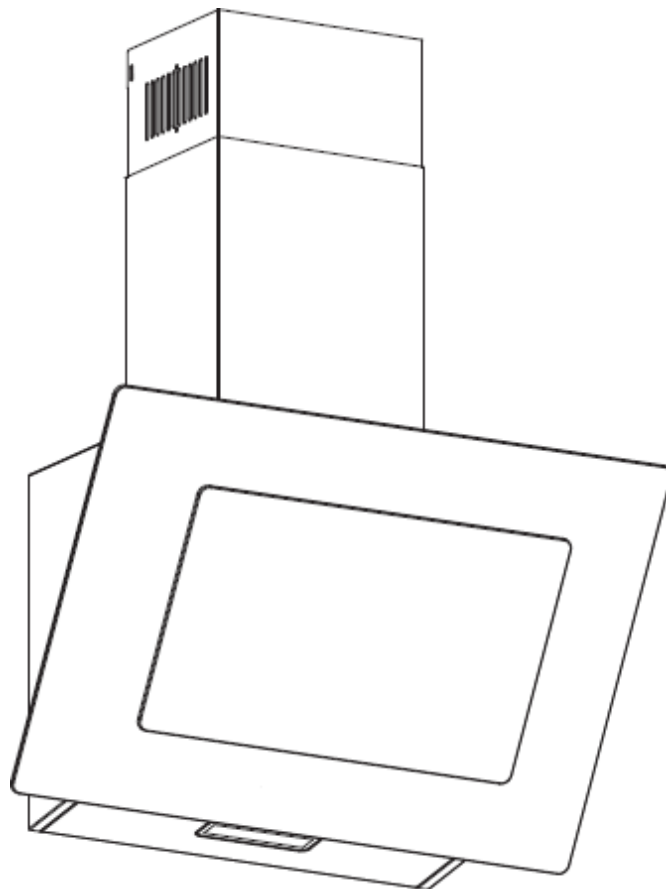
- (1) Instale la campana extractora en un lugar adecuado donde haya una ventilación eficiente.
- (2) Limpie la campana extractora regularmente para no bloquear el flujo del aire.
- (3) Recuerda apagar la lámpara de la campana extractora después de cocinar.
- (4) Recuerda apagar la campana extractora después de cocinar.

INFORMACIÓN PARA EL DESMONTAJE

No desmonte el aparato de forma que no se muestre en el manual de instrucciones. El electrodoméstico no podía ser desmontado por el usuario. Al final de la vida, el electrodoméstico no debe ser eliminado con los residuos domésticos. Consulte con su autoridad local o con el establecimiento donde compró el productor para obtener consejos de reciclaje.

CDG6CBG

Odsavač nad sporák Návod k použití



Obsah

1. Bezpečnostní pokyny	43
2. Instalace	45
3. Zahájení používání odsavače nad sporák	49
4. Řešení problémů	49
5. Údržba a čištění	50
6. Ochrana životního prostředí	53

BEZPEČNOSTNÍ OPATŘENÍ

Tento návod vysvětluje správnou instalaci a používání odsavače nad sporák. Před použitím si tento návod prosím důkladně prostudujte, a to i pokud jste s výrobkem obeznámeni. Návod by měl být uchováván na bezpečném místě pro případné budoucí použití.

Co nikdy nedělat:

- Nepokoušejte se používat odsavač bez tukových filtrů nebo s nadměrně mastnými filtry!
- Neinstalujte odsavač nad sporák se samostatným grilováním nad varnou deskou.
- Při smažení jídel nenechávejte pánev bez dozoru, protože přehřátý tuk nebo olej by se mohl vznítit.
- Nikdy nenechávejte pod odsavačem otevřený plamen.



- Jestliže se odsavač sporáku poškodí, nepoužívejte ho.
- Pod odsavačem nepřipravujte flambovaná jídla.
- POZOR: Přístupné díly spotřebiče se při použití s varnými spotřebiči mohou zahřát na vysokou teplotu.
- Minimální vzdálenost mezi opěrnou plochou pro varné nádoby na varné desce a nejnižší částí odsavače nad sporák. (Je-li odsavač par umístěn nad plynovým spotřebičem, vzdálenost musí být nejméně 65 cm.)
- Vzduch se nesmí odvádět do kouřových trubek, které se používají k odtahu spalin z topení na plyn nebo jiné palivo.



Co dělat vždy:

- Důležité upozornění! Během instalace a údržby jako je výměna žárovky vždy vypněte přívod elektřiny v síti.
- Odsavač musí být instalován v souladu s pokyny pro instalaci a je nutné dodržet všechny uvedené rozměry.
- Veškeré instalační práce musí být provedeny odborně způsobilou osobou nebo kvalifikovaným elektrikářem.
- Obalový materiál zlikvidujte dle předpisů. Děti by se jím mohly poranit.
- Dávejte pozor na ostré hrany uvnitř odsavače, zvláště při jeho instalaci a čištění.
- Zkontrolujte, zda vedení nemá ohyb větší než 90 stupňů, protože to snižuje účinnost odsavače.
- Varování: Pokud nepoužijete šrouby nebo upevňovací prostředek v souladu s těmito pokyny, může dojít k úrazu elektrickým proudem.
- Varování: Před získáním přístupu ke svorkám musejí být všechny napájecí obvody odpojeny.

Co dělat vždy:

- Při vaření na plynovém sporáku vždy přikryjte nádoby pokličkou.
- V režimu odsávání se pomocí odsavače odsává vzduch v místnosti. Zkontrolujte prosím, zda jsou dodržena správná opatření pro větrání. Odsavač odstraňuje pachy z místnosti, ale ne páru.
- Odsavač je určen výhradně k domácímu použití.



- Jestliže je poškozený napájecí kabel, smí ho vyměnit pouze výrobce, servisní technik nebo osoba s podobnou příslušnou kvalifikací, jinak by mohlo dojít k úrazu.
- Tento spotřebič smějí používat děti starší 8 let a osoby se sníženými fyzickými, smyslovými nebo duševními schopnostmi nebo bez patřičných zkušeností a znalostí, pokud jsou pod dohledem osoby odpovědné za jejich bezpečnost, případně byly poučeny o bezpečném používání spotřebiče a rozumějí možným nebezpečím. Děti si se spotřebičem nesmějí hrát. Děti nesmějí bez dozoru dospělých spotřebič čistit, ani provádět činnosti údržby.



Co dělat vždy:

- Pozor: Spotřebič a jeho přístupné části se během použití zahřejí na vysokou teplotu. Buďte opatrní a nedotýkejte se topných článků. Děti mladší než 8 let by se neměly ke spotřebiči přibližovat, pokud nejsou pod stálým dohledem.
- Pokud se odsavač používá společně s jinými spotřebiči spalujícími plyn nebo jiná paliva, musí být v místnosti dostatečné větrání.
- Pokud čištění není prováděno v souladu s pokyny, hrozí riziko vzniku požáru.
- Musejí být dodrženy předpisy týkající se vypouštění vzduchu.
- Spotřebič čistěte pravidelně podle postupu uvedeného v kapitole ÚDRŽBA.
- Z bezpečnostních důvodů používejte pouze stejnou velikost upevňovacího nebo montážního šroubu, která je doporučena v tomto návodu k obsluze.
- Podrobné informace o způsobu a četnosti čištění naleznete v části Údržba a čištění v návodu k použití.
- Děti nesmějí bez dozoru dospělých spotřebič čistit, ani provádět činnosti údržby.
- Pokud odsavač par a spotřebiče napájené jinou energií, než je elektřina, pracují současně, záporný tlak v místnosti nesmí překročit hodnotu 4 Pa (4×10^{-5} barů).
- **VAROVÁNÍ:** Nebezpečí požáru: na varném povrchu nic neskladujte.
- Nepoužívejte čisticí přístroje na páru.
- **NIKDY** se nepokoušejte uhasit požár vodou; vypněte spotřebič, a potom zakryjte plamen např. pokličkou nebo protipožární dekou.

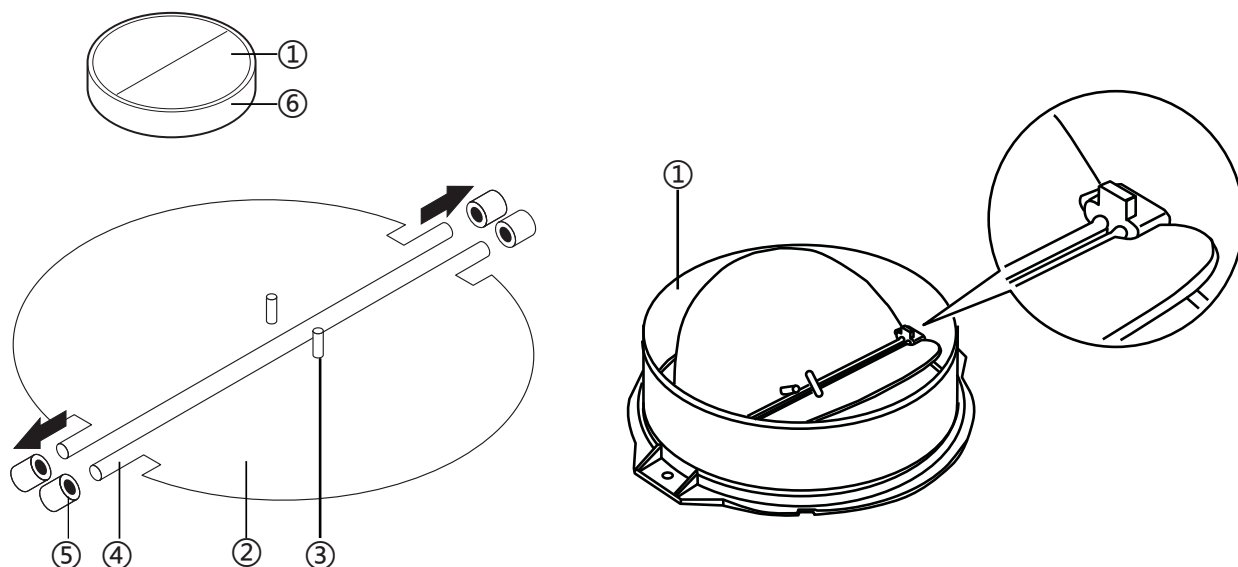
INSTALACE (VENKOVNÍ ODVĚTRÁNÍ)

MONTÁŽ V-KLAPKY

Pokud odsavač nemá sestavenou V-klapku 1, měli byste připevnit poloviny k jejímu tělu. Obrázky ukazují pouze příklad, jak připojit V-klapku, protože výstup se může lišit podle různých modelů a konfigurací.

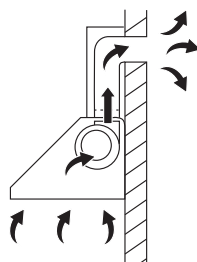
K upevnění V-klapky 1 je třeba provést:

- připevněte dvě poloviny 2 do těla 6,
- čep 3 by měl být orientován nahoru,
- osa 4 by měla být vložena do otvorů 5 na těle,
- zopakujte všechny operace pro 2. polovinu.

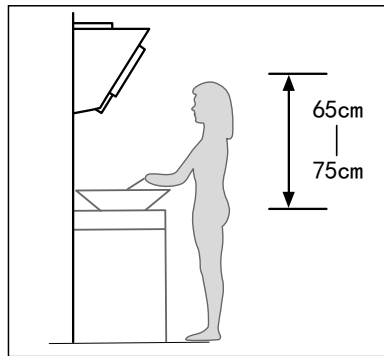


INSTALACE

Pokud je ve zdi otvor ven, lze odsavač připojit podle níže uvedeného obrázku pomocí odtahového vedení (trubka smaltovaná, hliníková ohebná trubka nebo z nehořlavého materiálu s vnitřním průměrem 150 mm).

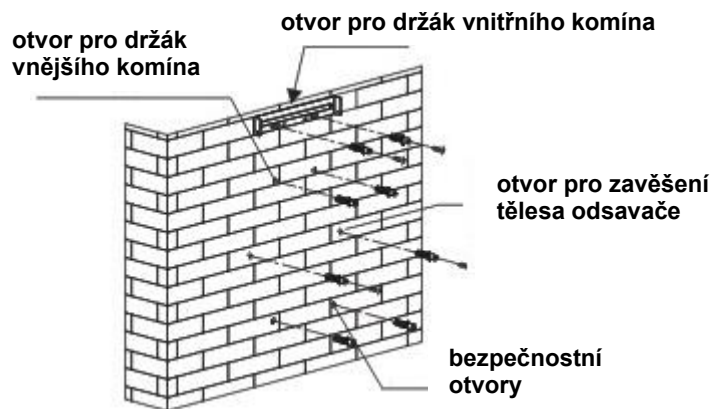


1. Před instalací jednotku vypněte.
2. Odsavač funguje nejlépe, pokud je umístěn ve vzdálenosti 65~75 cm nad varnou plochou.



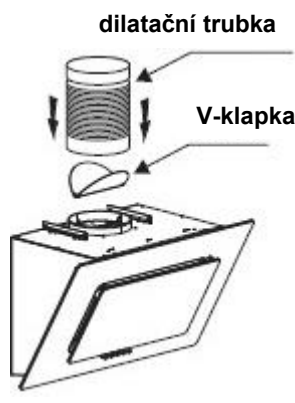
Obr. 1

- Po rozhodnutí o výšce odsavače změňte polohu otvorů pro zavěšení odsavače, držák vnitřního komína, držák vnějšího komína a bezpečnostní otvory. Vyvrtejte 8 $\phi 8$ otvorů a vložte do otvorů hmoždinky. Upevněte držák vnitřního komína na stěnu pomocí 2 šroubů ST4 x 40 mm. Do otvoru zašroubujte 2 šrouby ST4 x 8 mm pro zavěšení tělesa odsavače a namontované šrouby nechte 3 – 5 mm od stěny pro zavěšení odsavače. Pevná poloha držáku vnitřního komína představuje místo komína. Viz obr. 2.

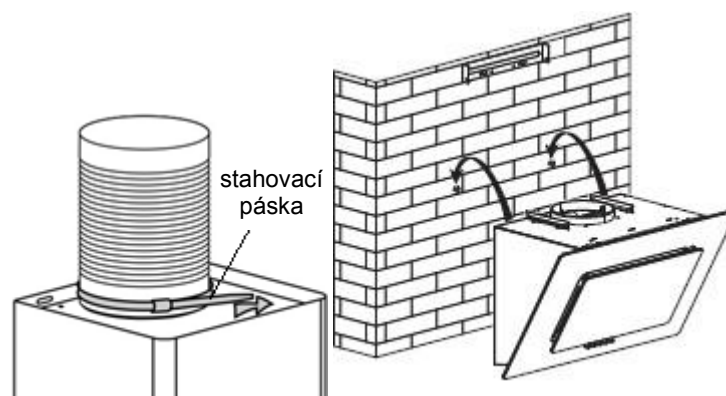


Obr. 2

- Nainstalujte V-klapku (**není součástí balení**) a dilatační trubku (**není součástí balení**) na odsavač nad sporák. Připevněte dilatační trubku na výstup stahovací páskou. Upozornění: Dilatační trubka a V-klapka nejsou součástí výrobku. Viz obr. 3.
- Zavěste odsavač nad sporák na hák. Viz obrázek 4.



Obrázek 3



Obrázek 4

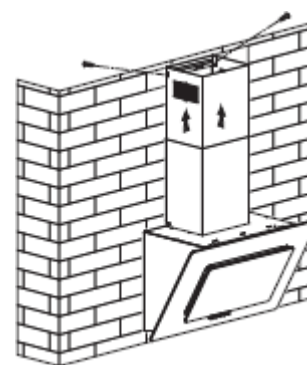
6. Namontujte držák vnějšího komína na vnější komín pomocí 2 šroubů ST4*8 mm, zde se ujistěte, že vnitřní komín lze volně ohýbat. Viz obr. 5.
7. Upevněte odsavač nad sporák 2 bezpečnostními šrouby ST4*30 mm. Poznámka: Na zadním krytu jsou umístěny dva bezpečnostní větrací otvory o průměru 6 mm. Umístěte oba komíny na odsavač nad sporák, upevněte vnější komín na stěnu pomocí 2 šroubů ST4*40 mm a vyvedte dilatační trubku ven. Viz obr. 6.
8. Výšku vnitřního komína nastavte do polohy držáku vnitřního komína a zafixujte ji 2 šrouby ST4*8 mm. Upevněte vnější komín na tělo odsavače nad sporák 2 šrouby ST4*8 mm. Viz obr. 7.



Obrázek 5



Obrázek 6



Obrázek 7

Elektrická instalace

Veškerá instalace musí být provedena odborně způsobilou osobou nebo kvalifikovaným elektrikářem. Před připojením síťového napájení se ujistěte, že síťové napětí odpovídá napětí na typovém štítku.

Přímé napojení

Spotřebič musí být připojen přímo k síti pomocí vícepólového jističe s minimálním otvorem 3 mm mezi kontakty.

Instalační technik musí zajistit provedení správného elektrického připojení v souladu se schématem zapojení.

Kabel nesmí být nikde ohnutý ani stlačený.

Pravidelně kontrolujte zástrčku a napájecí kabel, zda nejsou poškozené. Pokud je napájecí kabel poškozen, musí být nahrazen speciálním kabelem nebo sestavou, která je k dispozici od výrobce nebo jeho servisního zástupce.

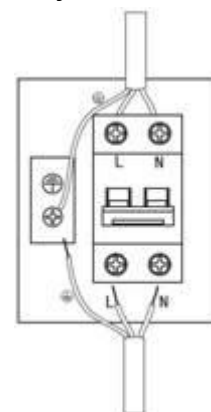
VAROVÁNÍ: Jedná se o spotřebič třídy I A MUSÍ být uzemněn

Tento spotřebič je dodáván se 3žilovým síťovým kabelem s následujícími

barvy: hnědý = L nebo živý,

modrý = N nebo neutrální,

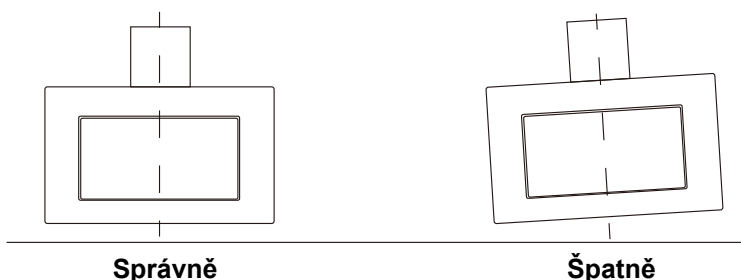
zelený a žlutý = E nebo uzemňovací .



TIPY PRO INSTALACI ODSÁVACÍHO VEDENÍ

Aby se dosáhlo optimálního odtahu vzduchu, musejí být přísně dodržována následující pravidla:

- Udržujte odsávací vedení krátké a rovné
- Nezmenšujte velikost ani neomezujte odsávacího vedení
- Při použití ohebného potrubí jej vždy nainstalujte řádně natažené, aby se minimalizovala ztráta tlaku.
- Nedodržení těchto základních pokynů sníží výkon a zvýší hladinu hluku odsavače.
- Všechny instalační práce smí provádět pouze kvalifikovaný elektrikář nebo osoba s příslušným oprávněním.
- Nepřipojujte odtahový systém odsavače do existujícího ventilačního systému, který je používán pro jiný spotřebič, jako je trubka ohřívače, plynová trubka, trubka s horkým vzduchem.
- Úhel ohybu dilatační trubky by neměl být menší než 120°; trubku je třeba směřovat vodorovně, nebo by trubka měla vést od počátečního bodu nahoru a vést k vnější stěně.
- Po dokončení instalace se ujistěte, že je odsavač ve vodorovné poloze, aby se zabránilo hromadění tuku na jednom konci.



Ujistěte se, že odsávací vedení zvolené pro instalaci odpovídá příslušným normám a zpomaluje hoření.

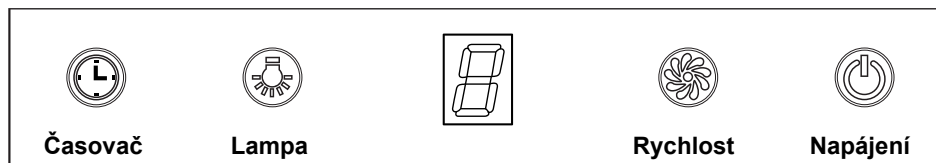
VAROVÁNÍ:



- Z bezpečnostních důvodů používejte pouze stejnou velikost upevňovacích nebo montážních šroubů, která je doporučena v tomto návodu k obsluze.
- Pokud nepoužijete šrouby nebo upevňovací prostředek v souladu s těmito pokyny, může dojít k úrazu elektrickým proudem.

Zahájení používání odsavače nad sporák

Dotykové ovládání



1. Stiskněte tlačítko „Napájení“, tlačítko ovládá „zapnutí“ a „vypnutí“ odsavače.
2. Po čase stiskněte tlačítko „Rychlost“, motor běží při nízké / střední / vysoké / nízké / střední rychlosti..., rychlost běží cyklicky a LED displej cyklicky zobrazuje jako 1-2-3-1-2....
3. Stiskněte tlačítko „Lampa“, rozsvítí se lampa, stiskněte toto tlačítko znovu, lampa zhasne. Upozorňujeme, že lampa není ovládána tlačítkem zapnutí/vypnutí.
4. Když během provozu odsavače stisknete tlačítko „Časovač“, odsavač přejde do stavu potvrzeného provozu (doba potvrzeného provozu je 9 minut), a poté se na displeji LED bude zobrazovat 9, 8, 7, 6 se snižováním o 1. Jakmile vyprší čas, odsavač se automaticky vypne a lampa zhasne. Pokud stisknete tlačítko „Časovač“, odsavač aktivuje nebo deaktivuje funkci „Časovač“.

ŘEŠENÍ PROBLÉMŮ

Porucha	Možná příčina	Řešení
Osvětlení zapnuté, ale motor nefunguje	Spínač ventilátoru je vypnutý	Vyberte polohu spínače ventilátoru.
	Spínač ventilátoru je vadný	Obraťte se na servisní středisko.
	Motor je vadný	Obraťte se na servisní středisko.
Osvětlení nesvítí, motor nefunguje	Jsou vyhozené domovní pojistky	Resetujte/vyměňte pojistky.
	Napájecí kabel je uvolněný nebo odpojený	Znovu zapojte napájecí kabel do elektrické zásuvky. Zapněte elektrickou zásuvku.
Únik oleje	Jednosměrný ventil a výstup nejsou těsně uzavřené	Sejměte jednocestný ventil a utěsněte těsnicí hmotou.
	Únik z připojení komína a krytu	Demontujte komín a utěsněte ho.
Osvětlení nesvítí	Poškozené nebo vadné žárovky	Vyměňte žárovky podle tohoto návodu.
Nedostatečné sání	Vzdálenost mezi odsavačem a plynovou deskou je příliš velká	Namontujte odsavač ve správné vzdálenosti.
Odsavač je nakloněn	Upevňovací šroub není dostatečně utažen	Utáhněte závěsný šroub a nastavte jej vodorovně.



POZNÁMKA:

Jakékoli opravy elektrického vedení u tohoto spotřebiče musejí odpovídat místním, státním a federálním zákonům. V případě jakýchkoli pochybností se prosím dříve, než provedete některé z výše uvedených opatření, obraťte na servisní středisko. Při otevírání jednotky ji vždy odpojte od zdroje energie.

ÚDRŽBA A ČIŠTĚNÍ

Pozor:

- Před prováděním údržby nebo čištění by měl být odsavač odpojen od hlavního zdroje napájení. Ujistěte se, že je odsavač vypnutý ze zásuvky ve zdi.
- Vnější povrchy jsou náchylné k poškrábání a odření, proto dodržujte pokyny k čištění, abyste zajistili nejlepší možný výsledek bez poškození.

OBEČNÉ INFORMACE

Čištění a údržba by se měla provádět na chladném spotřebiči, zvláště pak při čištění. Zabraňte, aby se na povrch dostaly alkalické nebo kyselé látky (citronová šťáva, ocet apod.).

NEREZOVÁ OCEL

Nerezovou ocel je třeba pravidelně čistit (např. jednou týdně), aby byla zajištěna její dlouhá životnost. Vysušte ji čistou měkkou utěrkou. Lze používat speciální čisticí kapalinu na nerezové oceli.

POZNÁMKA:

Ujistěte se, že se utírání provádí ve směru zrnitosti nerezové oceli, aby se zabránilo vzniku nevzhledných křížujících vzorů poškrábání.

POVRCH OVLÁDACÍHO PANELU

Vložený ovládací panel lze vyčistit pomocí teplé mýdlové vody. Před čištěním se ujistěte, že je hadřík čistý a dobře vyždímaný. Použijte suchý měkký hadřík, abyste odstranili přebytečnou vlhkost, která zůstala po čištění.

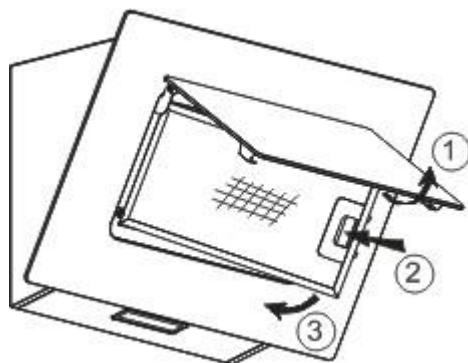
Důležité

Používejte neutrální čisticí prostředky a vyvarujte se použití drsných čisticích prostředků, silných čisticích prostředků pro domácnost nebo výrobků s abrazivní složkou, protože mohou ovlivnit vzhled spotřebiče a případně odstranit jakýkoli potisk na ovládacím panelu a zrušit platnost záruky.

TUKOVÉ SÍŤOVÉ FILTRY

Síťové filtry lze čistit ručně. Namočte je asi na 3 minuty do vody s jemným čisticím prostředkem a pak je jemně otřete měkkým kartáčem. Netlačte příliš, aby nedošlo k jejich poškození. (Nechte přirozeně uschnout mimo přímé sluneční záření.)

Filtry je třeba umývat odděleně od nádobí a kuchyňského náčiní. Doporučujeme nepoužívat leštidlo. Při demontáži tukového filtru postupujte podle obrázku vedle.



INSTALACE TUKOVÝCH SÍTOVÝCH FILTRŮ

- Při instalaci filtrů postupujte podle následujících čtyř kroků.
- Filtr nakloňte do otvorů v zadní části odsavače.
- Stiskněte tlačítko na držadle filtru.
- Po vložení filtru do jeho klidové polohy držadlo uvolněte.
- Opakujte pro nainstalování všech filtrů.

FILTR S AKTIVNÍM UHLÍM – není součástí dodávky

K zachycení pachů lze použít filtr s aktivním uhlím. Filtr s aktivním uhlím by se měl normálně vyměňovat po 3 až 6 měsících v závislosti na vašich návycích při vaření. Postup instalace filtru s aktivním uhlím je uveden níže:


1. Před instalací nebo výměnou filtrů s aktivním uhlím odpojte jednotku od elektrické sítě.
2. Zatlačte zámek filtru a sejměte síťový filtr.
3. Otočte filtr s aktivním uhlím na obou stranách motoru proti směru hodinových ručiček. Nahradejte filtry s aktivním uhlím novými filtry s aktivním uhlím.
4. Vložte síťový filtr.
5. Připojte napájecí kabel do zásuvky.



POZNÁMKA:

- Ujistěte se, že je filtr pevně zajištěný. Jinak by se uvolnil a způsobil nebezpečí.
- Když je připevněn aktivovaný uhlíkový filtr, sací výkon se sníží.

VÝMĚNA ŽÁROVKY

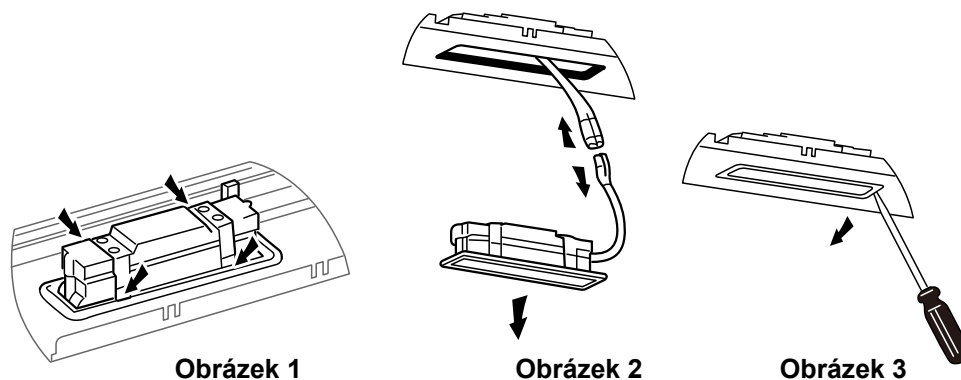
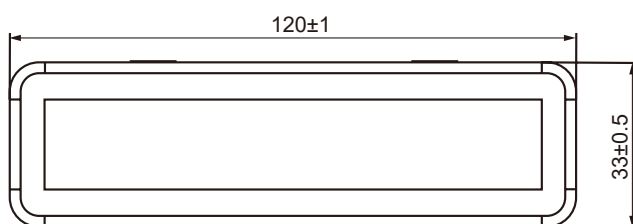
<p>Důležité:</p> 	<ul style="list-style-type: none">✧ Žárovku musí vyměnit výrobce, jeho servisní zástupce nebo osoby s podobnou kvalifikací.✧ Před prováděním jakýchkoli činností na spotřebiči vždy vypněte napájení. Při manipulaci s žárovkou se dříve, než se jí přímo dotknete rukama, ujistěte, že je zcela vychladlá.✧ Při manipulaci s žárovkami je držte přes hadřík nebo v rukavicích, abyste zajistili, že do kontaktu se žárovkou nepřijde pot, jenž může snížit životnost žárovek.
---	--

Poznámka:

- Před výměnou lampy lze odsavač odpojit od napájecí sítě pomocí zástrčky nebo všepólového vypínače.
- Při výměně lamp se chraňte před nebezpečím, například nošením rukavic.

Výměna lamp:

- Demontujte tukový filtr.
 - Způsob 1. Pomocí nástroje nebo ruky zatlačte klínek pružiny na obou stranách LED lampy dovnitř, dokud není lampa vytačena, viz obr. 1. Poté lehce vytáhněte připojovací vodič lampy a demontujte svorku připojovacího vodiče lampy. Viz obr. 2.
 - Způsob 2. Pomocí plochého šroubováku zvedněte spodní okraj LED lampy, viz obrázek 3, poté lehce vytáhněte LED lampu a připojovací vodič. Viz obr. 2.
 - Při instalaci lampy použijte postup v obráceném pořadí.
- **Kód ILCOS D této lampy: DSS-1.5/65-S-120/33**
 - LED moduly – obdélníková LED lampa
 - Maximální příkon: 1×1,5W
 - Rozsah napětí: DC 12V
 - Rozměry:



OCHRANA ŽIVOTNÍHO PROSTŘEDÍ:



Tento výrobek je označen symbolem pro selektivní třídění odpadních elektronických zařízení. To znamená, že tento výrobek nesmí být likvidován spolu s komunálním odpadem, ale musí být zlikvidován systémem tříděného sběru v souladu se směrnicí 2012/19/EU. Výrobek se pak musí recyklovat nebo demontovat tak, aby se minimalizoval dopad na životní prostředí. Elektrické a elektronické výrobky jsou potenciálně nebezpečné pro životní prostředí a lidské zdraví, protože obsahují nebezpečné látky. Více informací získáte u svých místních nebo krajských úřadů.

POZNÁMKA:

Následující text popisuje, jak snížit celkový dopad na životní prostředí (např. spotřebu energie) při vaření.

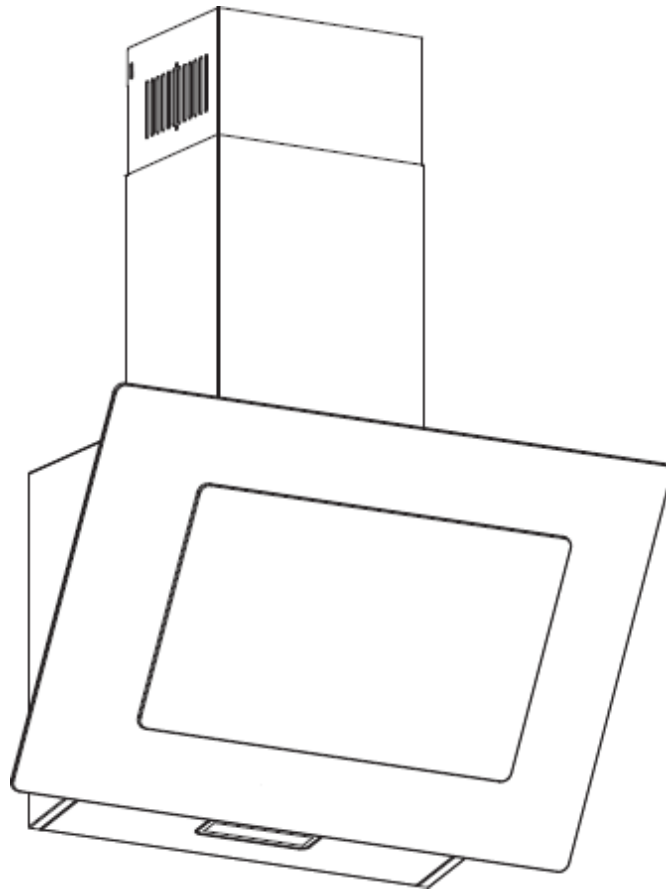
- (1) Instalujte odsavač na správném místě s účinným větráním.
- (2) Pravidelně čistěte odsavač, aby nedošlo k zablokování průtoku vzduchu.
- (3) Nezapomeňte po dokončení vaření vypnout osvětlení odsavače.
- (4) Nezapomeňte odsavač po dokončení vaření vypnout.

POKYNY PRO DEMONTÁŽ

Spotřebič rozebírejte pouze způsobem, který je zobrazen v uživatelské příručce. Spotřebič nesmí demontovat uživatel. Po skončení životnosti se spotřebič nesmí likvidovat s domovním odpadem. Informace o recyklaci vám poskytne místní úřad nebo maloobchodní prodejce.

CDG6CBG

Páraelszívó Kezelési útmutató



Tartalom

1. Biztonsági utasítások	56
2. Beszerelés	58
3. A páraelszívó üzembe helyezése	62
4. Hibaelhárítás	62
5. Karbantartás és tisztítás	63
6. Környezetvédelem	66

BIZTONSÁGI UTASÍTÁSOK

Ez az útmutató a páraelszívó szakszerű beszerelését és kezelését ismerteti, kérjük, gondosan olvassa el, mielőtt a készüléket használatba venné – még akkor is, ha ismeri a terméket. Tartsa az útmutatót biztonságos helyen, hogy később bármikor elővehesse.

Tiltások:

- Soha ne használja a páraelszívót a szűrők nélkül vagy túlságosan zsíros szűrőkkel.
- Ne szerelje magasított grillsütővel rendelkező tűzhely fölé.
- Használat közben ne hagyja felügyelet nélkül a serpenyőket, mert a forró olaj vagy zsír tüzet okozhat.
- Ne hagyjon nyílt lángot a páraelszívó alatt.



- Ha a páraelszívó megsérül, ne használja.
- Ne flambírozzon a páraelszívó alatt.
- FIGYELEM: A hozzáférhető részek felforrósodhatnak, amikor főzőberendezésekkel használják őket.
- A minimális távolság a tűzhelyen elhelyezett főzőedények és a szagelszívó-berendezés legalacsonyabb pontja között. (Ha a páraelszívó gáztűzhely felett található, ennek a távolságnak legalább 65 cm-nek kell lennie)
- A levegőt tilos olyan kürtön keresztül kiengedni, amelyet gázzal vagy más tüzelőanyaggal működő készülékek füstjének elvezetésére használnak.



Előírások:

- Fontos! Karbantartáskor (például az égő kicserélésekor) és az üzembe állításkor mindig kapcsolja le az elektromos hálózatot.
- A páraelszívót az üzembe állítási útmutatónak megfelelően, a helyigény felmérését követően szerelje be.
- A beszerelési munkákat hozzáértő személy vagy képzett villanszerelő végezze.
- Gondoskodjon a szükségtelenné vált csomagolóanyag megfelelő elhelyezéséről. Gyermekekre veszélyes.
- Figyeljen a páraelszívó belsejében lévő éles szélékre – különösen a beszerelés és a tisztítás során.
- Ügyeljen arra, hogy a csővezeték ne hajlítsa meg 90 foknál nagyobb szögben, mert ez ronthatja a páraelszívó hatékonyságát.
- Figyelem: Ha az eszköz vagy a csavarok rögzítése nem az útmutató szerint történik, fennáll az áramütés veszélye.
- Figyelem: Mielőtt hozzáférne a csatlakozóvégekhez, az összes betápláló áramkört le kell csatlakoztatni.

Előírások:

- Mindig rakjon fedőt az edényekre és a serpenyőkre, ha a gáztűzhelyen süt vagy főz.
- Kiszívási üzemmódban a páraelszívó kiszívja a levegőt a szobából. Kérjük, gondoskodjon a megfelelő szellőzésről. A páraelszívó a szagokat távolítja el a szobából, a gőzt nem.
- A páraelszívó kizárólag házi használatra készült.



- Ha a tápkábel megsérül, a kockázatok elkerülése végett a gyártó által megadott márkaszerviznek vagy megfelelően képzett szakembernek kell gondoskodnia a cseréjéről.
- A készüléket 8 év fölötti gyermekek, csökkent fizikai, érzékszervi és mentális képességekkel rendelkező, illetve kellő tapasztalattal nem rendelkező személyek, csak felügyelet mellett, illetve akkor használhatják, ha már rendelkeznek a készülék biztonságos használatára és a kockázatokra vonatkozó tudással. Gyermekek ne játszanak a készülékkel. A tisztítást és a karbantartást gyermekek nem végezhetik felügyelet nélkül.



Előírások:

- Figyelem: A készülék és a hozzáférhető részei felforrósodhatnak használat közben. Ne nyúljon a felmelegedő részekhez. 8 évesnél fiatalabb gyermekek csak akkor menjenek a készülék közelébe, ha folyamatos felügyelet alatt állnak.
- Ha a páraelszívót gázzal vagy más tüzelőanyaggal működő berendezésekkel egyszerre használja, gondoskodjon a helyiség megfelelő szellőzéséről.
- Tűzveszélyt okozhat, ha nem az útmutatónak megfelelően végzik a tisztítást.
- A levegő elvezetését az előírásoknak megfelelően kell elvégezni.
- Időről időre tisztítsa meg a készüléket a KARBANTARTÁS fejezetben megadott módon.
- Biztonsági okokból csak az útmutatóban ajánlott méretű rögzítő- vagy szerelőcsavart használja.
- A tisztítás módjával és gyakoriságával kapcsolatban tekintse át az útmutató karbantartásról és tisztításról szóló fejezetét.
- A tisztítást és a karbantartást gyermekek nem végezhetik felügyelet nélkül.
- Ha a páraelszívó és nem villamos energiával táplált készülékek egyidejűleg működnek, a nyomásesés a helyiségben nem haladhatja meg a 4 Pa-t (4x10⁻⁵bar).
- FIGYELEM: Tűzveszély: ne tároljon semmilyen tárgyat a főzőlap felületén.
- Nem használható gőztisztító.
- Tűz esetén SOHA ne próbálja azt vízzel oltani. Kapcsolja ki a készüléket, majd pl. egy edényfedővel vagy tűzálló takaróval fojtsa el a tüzet.

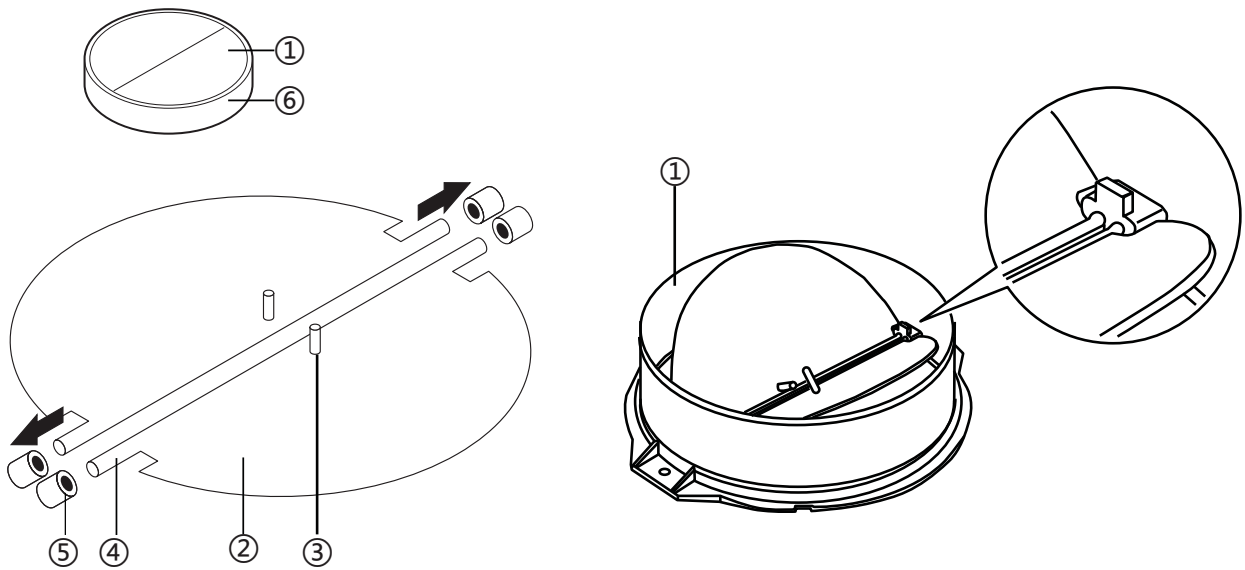
BESZERELÉS (KÜLSŐ KIVEZETŐNYÍLÁSRA)

A SZELLŐZTETŐ CSAPPANTYÚ FELSZERELÉSE

Ha a páraelszívón nincs összeszerelt 1. szellőztető csappantyú, szerelje fel a félalkatrészeket a burkolatra. A képeken csak egy példa látható a szellőztető csappantyú felszerelésére, mivel a kimenet a különböző modellektől és konfigurációktól függően változhat.

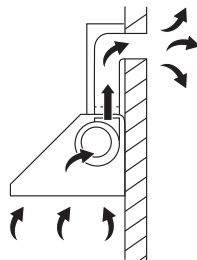
Az 1. szellőztető csappantyú beszereléséhez:

- Szerelje fel a 2. félelemeket a 6. burkolatra
- a 3. tűnek felfelé kell néznie;
- a 4. tengelyt be kell illeszteni a burkolat 5. furataiba;
- ismételje meg ezeket a műveleteket a másik félelemen is.

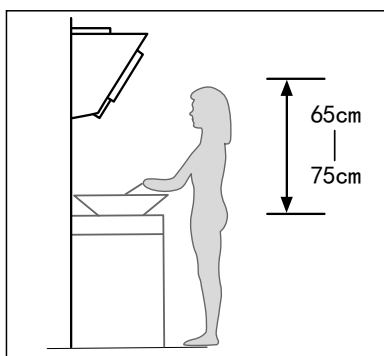


BESZERELÉS

Ha külső kivezetőnyílást használ, a páraelszívót az alábbi képen látható módon csatlakoztathatja a szellőzőcsatornára (zománc, alumínium, rugalmas cső vagy tűzálló anyagból készült, 150 mm-es belső átmérőjű).

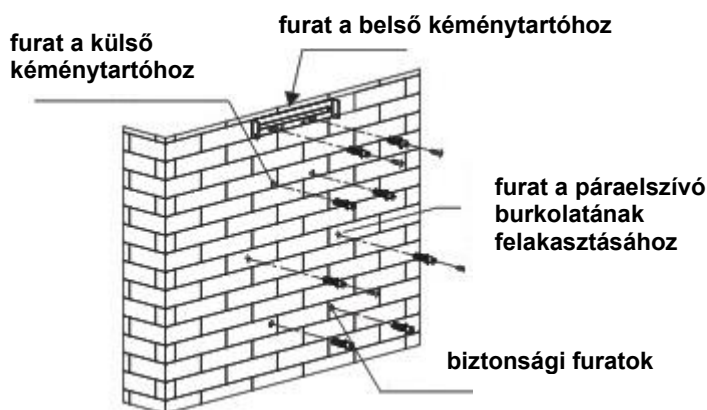


1. Beszerelés előtt kapcsolja ki a készüléket.
2. A legjobb hatás érdekében a páraelszívót 65~75 cm-rel a főzőfelület felett kell elhelyezni.



1. ábra

3. Miután meghatározta a páraelszívó magasságát, mérje meg az elszívó, a belső kéménytartó, a külső kéménytartó és a biztonsági furatok helyzetét. Fúrjon 8 db $\varnothing 8$ lyukat, és helyezzen tipliket a lyukakba. Rögzítse a belső kéménytartót a falra 2 db ST4 x 40 mm-es csavarral. Csavarozzon 2 db ST4 x 8 mm-es csavart a furatba a páraelszívó burkolatának felakasztásához. A felszerelt csavaroknak 3-5 mm-re ki kell állniuk a falból a páraelszívó felakasztásához. A belső kéménytartó rögzítési helyzete a kémény legmagasabb pontja. Lásd a 2. ábrát.

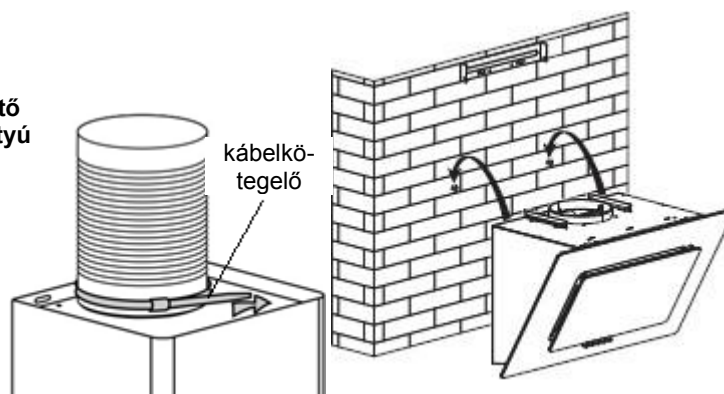


2. ábra

4. Szerelje fel a szellőztető csappantyút (**nem tartozék**) és a tágulási csövet (**nem tartozék**) a páraelszívóra. Rögzítse a tágulási csövet a kimeneten egy kábeltötegelővel. Megjegyzés: A termék nem tartalmazza a tágulási csövet és a szellőztető csappantyút. Lásd a 3. ábrát.
5. Akassza fel a páraelszívót a kampóra. Lásd a 4. ábrát.

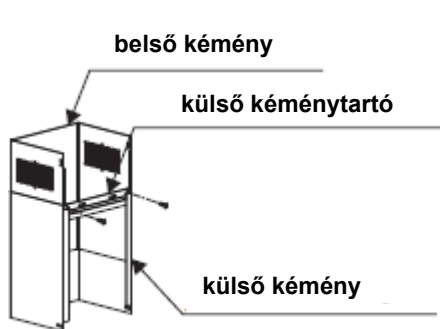


3. ábra



4. ábra

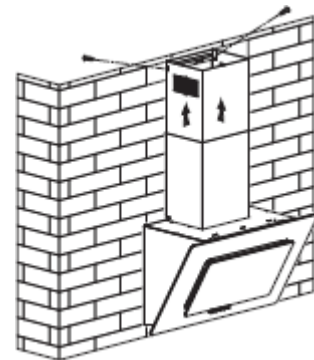
6. Szerelje fel a külső kéménytartót a külső kéményre 2 db ST4*8 mm-es csavarral. Ekkor győződjön meg arról, hogy a belső kémény szabadon hajlítható. Lásd az 5. ábrát.
7. Rögzítse a páraelszívót 2 db ST4*30 mm-es biztonsági csavarral. Megjegyzés: A két biztonsági szellőzőnyílás a hátsó burkolaton helyezkedik el, átmérője 6 mm. Helyezze a két kéményt a páraelszívóra, rögzítse a külső kéményt a falra 2 db ST4*40 mm-es csavarral, és vezesse a tágulási csövet kívülre. Lásd a 6. ábrát.
8. Állítsa be a belső kémény magasságát a belső kéménytartó pozíciójának megfelelően, és rögzítse 2 db ST4*8 mm-es csavarral. Rögzítse a külső kéményt a páraelszívóra 2 db ST4*8 mm-es csavarral. Lásd a 7. ábrát.



5. ábra



6. ábra



7. ábra

Elektromos bekötés

Minden bekötést hozzáértő személynek vagy szakképzett villanyszerelőnek kell végeznie. Az áramellátás csatlakoztatása előtt győződjön meg arról, hogy a hálózati feszültség megegyezik az adattáblán lévő feszültséggel.

Közvetlen bekötés

A készüléket közvetlenül az áramellátáshoz kell csatlakoztatni egy többpólusú kismegszakítón keresztül, melynek érintkezői között legalább 3 mm távolság van.

A bekötést végző szakembernek meg kell győződnie arról, hogy a megfelelő elektromos csatlakozás megtörtént, és az megfelel a bekötési rajznak.

A kábelt tilos meghajlítani vagy összenyomni.

Rendszeresen ellenőrizze, hogy a csatlakozó dugó és a tápkábel nem sérült-e. Ha a tápkábel megsérül, akkor a gyártótól vagy a szervizügynöktől vásárolt speciális kábelre vagy szerelvényre cserélje ki.

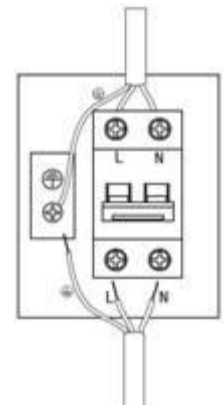
FIGYELEM: Ez egy I. osztályú készülék, és földelni KELL

A készülék 3-eres hálózati kábelrel van ellátva, melyben az alábbi színek

találhatók: Barna = L vagy fázis

Kék = N vagy nulla

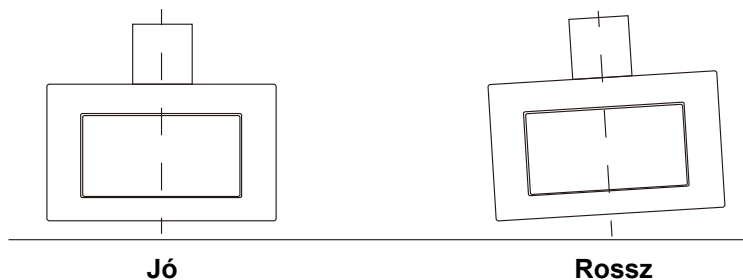
Zöld és sárga = E vagy földelés 



TIPPEK A SZELLŐZŐCSATORNA FELSZERELÉSÉHEZ

Az optimális levegő elszívás érdekében szigorúan be kell tartani a következő szabályokat:

- A szellőzőcsatorna legyen rövid és egyenes.
- Ne csökkentse az átmérőt, és ne akadályozza a szellőzést.
- Flexibilis csatorna használatakor mindig húzza feszesre a csatornát a nyomásesés minimalizálása érdekében.
- Ezen alapvető utasítások be nem tartása csökkenti a páraelszívó teljesítményét és növeli a zajszintet.
- Minden szerelési munkát szakképzett villanyszerelőnek vagy hozzáértő személynek kell végeznie.
- Ne csatlakoztassa a páraelszívó szellőzőrendszerét olyan meglévő szellőzőrendszerhez, amelyet más készülékekhez használnak, például fűtéscsőhöz, gázcsőhöz vagy forró levegős csőhöz.
- A szellőzőcső hajlásszöge nem lehet 120°-nál kisebb; a csövet vízszintesen kell irányítani, vagy a csövet a kiindulási ponttól felfelé kell vezetni, és egy külső falhoz kell vezetni.
- A beszerelés után győződjön meg arról, hogy a páraelszívó vízszintes, hogy elkerülje a zsír felgyülemlését.



Győződjön meg arról, hogy a beszereléshez választott szellőzőcső megfelel a vonatkozó szabványoknak és tűzálló.

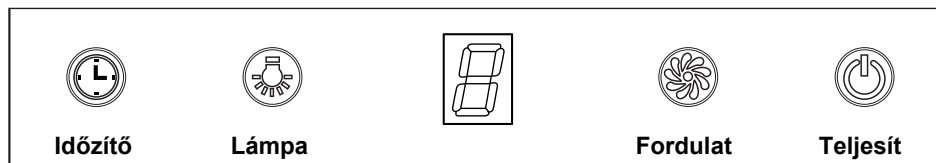
FIGYELEM:



- Biztonsági okokból csak az útmutatóban ajánlott méretű rögzítő- vagy szerelőcsavarokat használja.
- Ha az eszköz vagy a csavarok rögzítése nem az útmutató szerint történik, fennáll az áramütés veszélye.

A páraelszívó használata

Érintéses vezérlés



1. Nyomja meg a „Bekapcsolás” gombot a páraelszívó be- és kikapcsolásához.
2. Nyomja meg többször a „Sebesség” gombot, a motor fordulatszáma alacsony / közepes / magas / alacsony / közepes... sorrendben változik, és a LED kijelzőn sorrendben 1-2-3-1-2... jelenik meg.
3. Nyomja meg a „Lámpa” gombot, a lámpa világít, nyomja meg újra ezt a gombot, a lámpa kialszik. Kérjük, vegye figyelembe, hogy a lámpát nem vezérli a be-/kikapcsoló gomb.
4. Amikor a páraelszívó működik, ha megnyomja az „Időzítő” gombot, a páraelszívó alvó üzemmódba kapcsol (az alvó idő 9 perc), majd a LED-kijelzőn 9, 8, 7, 6 jelenik meg... 1-gyel csökken, amikor az idő le nem telik, ekkor a páraelszívó automatikusan kikapcsol, és a lámpa kialszik. Ha megnyomja az „Időzítő” gombot, a páraelszívó „Időzítő” funkciója be- és kikapcsol.

HIBAELHÁRÍTÁS

Hiba	Lehetséges ok	Megoldás
A lámpa világít, de a motor nem működik	A ventilátor kapcsolóját lekapcsolták	Válassza ki a ventilátorkapcsoló állását.
	A ventilátorkapcsoló meghibásodott	Forduljon a szervizközponthoz.
	A motor meghibásodott	Forduljon a szervizközponthoz.
A világítás nem működik, a motor nem kapcsol be	A burkolati biztosítékok kiégtek	Állítsa vissza/cserélje ki a biztosítékokat.
	A tápkábel kilazult vagy nincs csatlakoztatva	Csatlakoztassa a tápkábelt a konnektorba. Kapcsolja be az aljzatot
Olajszivárgás	Az egyutas szelep és a kivezetőnyílás nincs megfelelően szigetelve	Vegye le az egyutas szelepet és szigetelje be.
	Szivárgás a kürtőcsatlakozásból és a burkolatból	Vegye le a kürtőt és szigetelje be.
A lámpák nem működnek	Elromlott vagy hibás izzók	Cserélje ki az izzókat a jelen utasítás szerint.
Elégtelen beszívás	A páraelszívó és a tűzhely közötti távolság túl nagy	Helyezze át a páraelszívót megfelelő távolságra.
A páraelszívó megdőlt	A rögzítőcsavar nincs meghúzva	Húzza meg a kilazult csavart és állítsa vízszintesbe.



MEGJEGYZÉS:

A készülék mindenféle elektromos javítása esetén be kell tartani a helyi, állami és szövetségi jogszabályokat. Kérjük, lépjen kapcsolatba a szervizközponttal, ha bármilyen kétsége merül fel a fentiek bármelyikének elvégzése előtt. Az berendezés felnyitásakor mindig húzza ki a készüléket az áramellátásból.

KARBANTARTÁS ÉS TISZTÍTÁS

Figyelem:

- Karbantartási vagy tisztítási műveletek előtt a páraelszívót le kell csatlakoztatni az elektromos áramellátásról. Győződjön meg arról, hogy a páraelszívó áramellátása le van kapcsolva.
- A külső felület megkarcolódhatnak és súrlódástól megsérülhetnek, ezért tartsa be a tisztítási utasításokat, hogy a károsodás nélkül a lehető legjobb eredményt érje el.

ÁLTALÁNOS

Tisztítás és karbantartás előtt meg kell várni, hogy a készülék lehűljön, különösen tisztításkor. A felületeken lúgos vagy savas anyagok (citromlé, ecet stb.) nem maradhatnak.

ROZSDAMENTES ACÉL

A rozsdamentes acélt rendszeresen (pl. hetente) kell tisztítani a hosszú várható élettartam biztosítása érdekében. Törölje szárazra egy tiszta, puha ruhával. Speciális, rozsdamentes acél felületek tisztítására szolgáló folyadék használata ajánlott.

MEGJEGYZÉS:

Ügyeljen arra, hogy a törléskor a rozsdamentes acél szálirányát kövesse, hogy ne keletkezzenek haránt irányú karcok.

A VEZÉRLŐPANEL FELÜLETE

A beépített vezérlőpanel szappanos vízzel tisztítható. Ügyeljen arra, hogy a tisztításhoz használt törlőkendő tiszta és száraz legyen. Száraz és puha törlőkendővel távolítsa el a tisztítás után hátramaradt felesleges nedvességet.

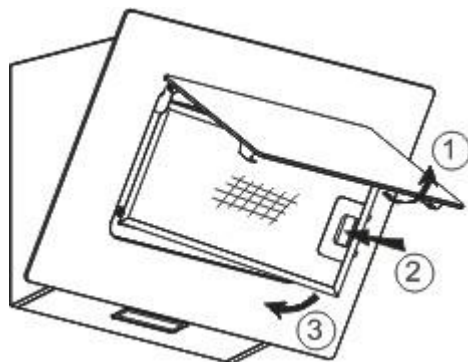
Fontos

Használjon semleges tisztítószeret. Ne használjon erős vegyszereket, háztartási tisztítószeret vagy súrolószereket, mivel az kárt tehet a készülék megjelenésében, és akár el is eltávolíthatja a vezérlőpanel ábráit, valamint semmissé teheti a vonatkozó garanciát.

ZSÍRSZŰRŐK

A zsírszűrőket kézzel kell kitisztítani. Enyhe tisztítószerrel áztassa őket körülbelül 3 percig vízben, majd puha kefével óvatosan mossa meg. Ne fejtse ki túl nagy nyomást, nehogy kárt okozzon bennük. (Hagyja száradni a szűrőket közvetlen napfénytől távol tartva.)

A szűrőket edényektől és konyhai eszközöktől elkülönítve kell mosni. Nem ajánlatos öblítőszerrel használni. Kövesse a képet, és szerelje le a zsírszűrőt.



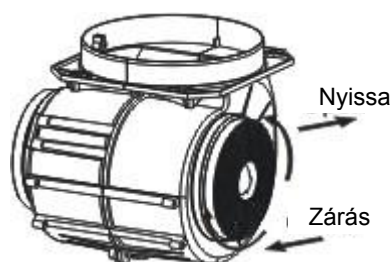
ZSÍRSZŰRŐK BESZERELÉSE

- A szűrők beszereléséhez az alábbi négy lépést kövesse.
- Illessze a szűrőt a páraelszívó hátulján lévő nyílásokba.
- Nyomja meg a szűrő fogantyúján lévő gombot.
- Engedje el a fogantyút, amikor a szűrő a helyére került.
- Ismétlje meg a fenti lépéseket az összes szűrőn.

SZÉNSZŰRŐ - nem tartozék

Az aktív széniszűrő elnyeli a szagokat. Az aktív széniszűrőt általában 3-6 havonta ki kell cserélni a főzési szokásainak megfelelően. Az aktív széniszűrő beszerelése az alábbiak szerint történik.


1. A széniszűrők telepítése vagy cseréje előtt kapcsolja le a berendezés áramellátását.
2. Nyomja meg a szűrőn lévő zárat, és távolítsa el a hálós szűrőt.
3. Fordítsa el a széniszűrőt a motor mindkét oldalán az óramutató járásával ellentétes irányba. Cserélje ki a széniszűrőket az új széniszűrőkre.
4. Helyezze vissza a hálós szűrőt.
5. Csatlakoztassa a tápegységet a konnektorhoz.



MEGJEGYZÉS:

- Bizonyosodjon meg róla, hogy a szűrő biztosan zárva van-e. Különben megglazulna és veszélyt okoznak.
- Amikor az aktív széniszűrő csatlakoztatva van, csökken a szívóerő.

IZZÓCSERE

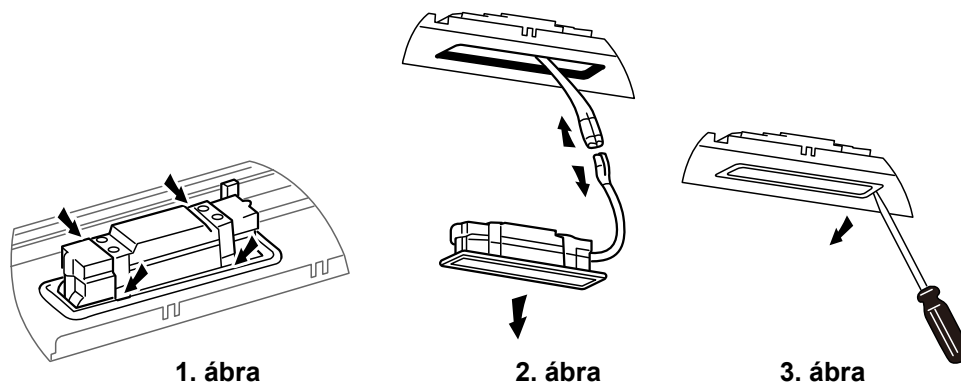
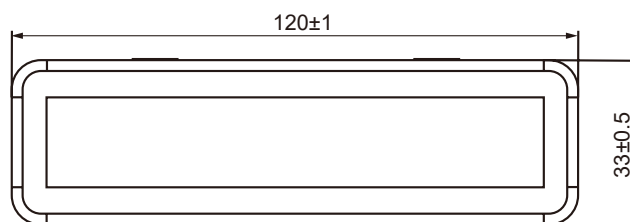
<p>Fontos:</p> 	<ul style="list-style-type: none">✧ Az izzót a gyártó, annak szerviz képviselője vagy hasonló képesítéssel rendelkező személyek cserélhetik.✧ Mindig kapcsolja ki az áramellátást, mielőtt bármilyen műveletet végezne a készüléken. Mielőtt megfogja az izzót, és közvetlenül érintkezne a kezével, győződjön meg róla, hogy teljesen lehűlt.✧ Amikor ronggyal vagy kesztyűvel nyúl az izzókhoz, ügyeljen arra, hogy az izzadság ne kerüljön rá az izzóra, mivel ez csökkentheti az izzó élettartamát.
--	---

Megjegyzés:

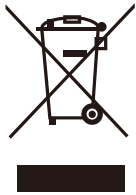
- Az izzó cseréje előtt a páraelszívót le kell választani az áramellátásról.
- Védje magát a veszélytől, ha izzót cserél, például viseljen kesztyűt.

Az izzók cseréje:

- Távolítsa el a zsírszűrőt.
- 1. lehetőség Egy szerszámmal vagy kézzel nyomja be a LED lámpa mindkét oldalának rugós zárját, amíg a lámpa ki nem ugrik, lásd az 1. ábrát. Ezután kissé húzza ki a lámpa csatlakozó vezetékét, és szerelje szét a lámpa csatlakozását. Lásd a 2. ábrát.
- 2. lehetőség Lapos csavarhúzóval emelje meg a LED lámpa alsó szélét, lásd a 3. ábrát, majd kissé húzza ki a LED lámpát és a világítás csatlakozó vezetékét. Lásd a 2. ábrát.
- A lámpa visszahelyezéséhez hajtsa végre a fentieket fordított sorrendben.
- ILCOS D kód ehhez a lámpához: **DSS-1.5/65-S-120/33**
- LED-modulok – szögletes LED-lámpa
- Max. teljesítmény: 1×1,5W
- Feszültségtartomány: DC 12 V
- Méretek:



KÖRNYEZETVÉDELEM:



Ez a termék rendelkezik az elektronikus eszközökre vonatkozó szelektív hulladékgyűjtés jelölésével. Ez azt jelenti, hogy a terméket tilos a háztartási hulladékokkal együtt kezelni, illetve a szelektív hulladékgyűjtési rendszert kell használni hozzá (a 2012/19/EU irányelvnek megfelelően). A környezetre gyakorolt hatások minimalizálása érdekében újrahasznosítják vagy szétszerelik. Az elektromos és elektronikus termékek veszélyes anyagok jelenléte miatt potenciálisan ártalmasak lehetnek a környezetre és az emberi egészségre. További információért forduljon a helyi vagy regionális hatóságokhoz.

MEGJEGYZÉS:

A következő rész azt ismerteti, hogy csökkenthető a környezetre gyakorolt hatás (a főzési folyamat energiaigénye).

- (1) Olyan helyre szerelje a páraelszívót, ahol biztosított a megfelelő szellőzés.
- (2) Rendszeresen tisztítsa a páraelszívót, így megakadályozhatja a szellőzőnyílások eltömődését.
- (3) Ne felejtse el kikapcsolni a páraelszívó világítását használat után.
- (4) Kapcsolja ki a páraelszívót használat után.

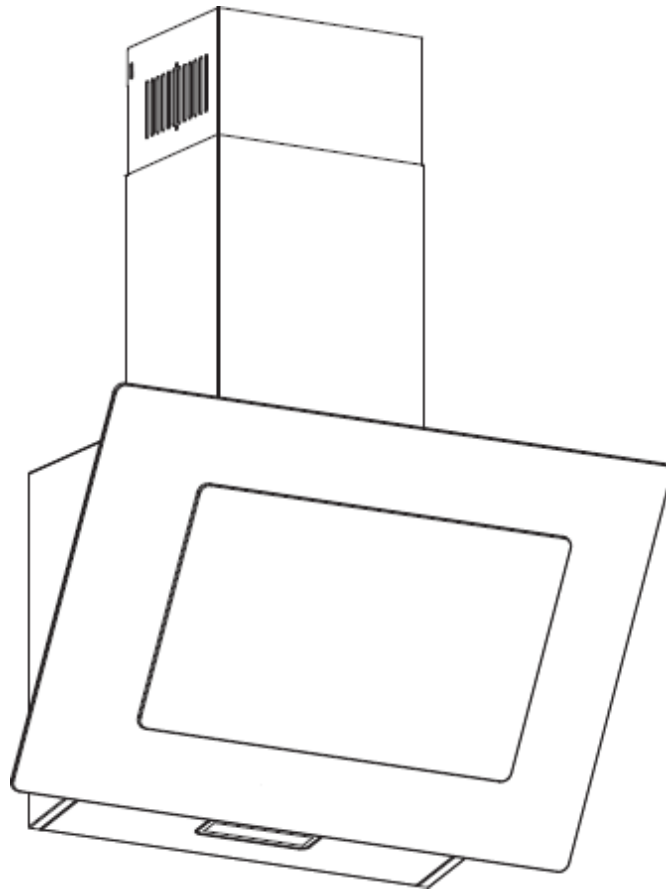
A SZÉTSZERELÉSHEZ SZÜKSÉGES INFORMÁCIÓK

Csak a használati útmutatónak megfelelően szerelje szét a készüléket. A felhasználó nem szerelheti szét a készüléket. A használhatatlanná vált készüléket ne a háztartási hulladék közé dobja. Forduljon a helyi hatósághoz vagy megbízottjához újrahasznosítási tanácsért.

CDG6CBG

Digestor

Návod na použitie



Obsah

1. Bezpečnostné pokyny	69
2. Inštalácia	71
3. Prvé použitie digestora	75
4. Riešenie problémov	75
5. Údržba a čistenie	76
6. Ochrana životného prostredia	79

BEZPEČNOSTNÉ POKYNY

Táto príručka objasňuje správnu inštaláciu a používanie digestora, pred použitím si ju dôkladne prečítajte, aj keď ste sa už s výrobkom oboznámili. Príručku treba uchovávať na bezpečnom mieste, aby ste si ju v prípade potreby mohli opäť prečítať.

Nikdy sa:

- Neskúšajte používať digestor bez filtrov na mastné látky alebo ak sú filtre veľmi zamastené!
- Zariadenie neinštalujte nad vyvýšený gril.
- Panvice nenechávajte počas vyprážania bez dozoru, pretože prehriate tuky alebo oleje sa môžu vznietiť.
- Pod digestorom nikdy nenechávajte horieť nezakryté plamene.



- Poškodený digestor nepoužívajte.
- Pod digestorom nevlambujte.
- **UPOZORNENIE:** Prístupné časti sa pri používaní s prostriedkami na varenie môžu nahriať.
- Minimálna vzdialenosť medzi nosným povrchom pre varné nádoby na platni a najnižšou časťou digestora. (Ak je digestor umiestnený nad plynovým spotrebičom, vzdialenosť musí byť najmenej 65 cm)
- Vzduch sa nesmie odvádzať do komína, ktorý sa používa na odvádzanie výparov zo zariadení, ktoré spaľujú plyn alebo iné palivá.



Zakaždým:

- **Dôležité!** Počas inštalácie a údržby, ako napr. výmena žiarovky, vždy vypnite napájanie z elektrickej siete.
- Digestor musíte nainštalovať v súlade s pokynmi na inštaláciu a pri dodržaní všetkých meraní.
- Celú inštaláciu musí vykonať kompetentná osoba alebo spôsobilý elektrikár.
- Obalový materiál zlikvidujte starostlivým spôsobom. Môže spôsobiť deťom zranenie.
- Dávajte pozor na ostré hrany vnútri digestora, hlavne počas inštalácie a pri čistení.
- Ubezpečte sa, že potrubné vedenie nemá kolená s uhlom ostrejším než 90 stupňov, pretože by došlo k zníženiu účinnosti digestora.
- **Varovanie:** Ak skrutky alebo upevňovacie zariadenie nenainštalujete podľa týchto pokynov, môže dôjsť k riziku zásahu elektrickým prúdom.
- **Varovanie:** Predtým, ako sa dostanete ku koncovkám, musia byť všetky napájacie obvody odpojené.

Zakaždým:

- Pri varení na plynovom sporáku hrnce a panvice vždy zakryte s vekom.
- V režime odsávanie dochádza k odsávaniu vzduchu z miestnosti digestorom. Ubezpečte sa, že sú dodržané správne opatrenia na vetranie. Digestor odvádza z miestnosti pachy, ale nie paru.
- Digestor je určený len na používanie v domácnosti.



- Ak došlo k poškodeniu napájacieho kábla, musí ho vymeniť výrobca, jeho servisný zástupca alebo podobne spôsobilá osoba, aby nedošlo k nebezpečenstvu.
- Tento spotrebič môžu používať deti staršie než 8 rokov a osoby so zníženými telesnými, zmyslovými alebo duševnými schopnosťami alebo s nedostatkom skúseností a znalostí, len ak sú pod dozorom alebo dostali pokyny o používaní zariadenia bezpečným spôsobom a ak chápu nebezpečenstvá s ním súvisiace. Deti sa nesmú hrať so spotrebičom. Čistenie a bežnú údržbu nesmú vykonávať deti bez dozoru.



Zakaždým:

- Upozornenie: Prístroj a prístupné časti sa môžu počas prevádzky nahriať. Dajte si pozor, aby ste sa nedotkli vyhrievacích článkov. Deti mladšie než 8 rokov by sa pri prístroji nemali zdržiavať vôbec, ak nie sú pod neustálym dohľadom.
- Počas používania digestora súčasne so zariadeniami, ktoré spaľujú plyn alebo iné palivá, treba mať dostatočné vetranie miestnosti.
- Ak sa čistenie nevykonáva v súlade s pokynmi, existuje riziko požiaru.
- Musíte dodržiavať predpisy o odvádzaní vzduchu.
- Prístroj čistíte pravidelne spôsobom opísaným v kapitole ÚDRŽBA.
- Z bezpečnostných dôvodov výlučne používajte tú istú veľkosť upevňovacej alebo montážnej skrutky, ktorá sa odporúča v tomto návode na používanie.
- Podrobné informácie o spôsobe a častoti čistenia si prečítajte v časti o údržbe a čistení v tomto návode na používanie.
- Čistenie a bežnú údržbu nesmú vykonávať deti bez dozoru.
- Keď sa súčasne používa digestor a iné zariadenia napájané iným zdrojom energie než elektrina, negatívny tlak v miestnosti nesmie presiahnuť 4 Pa (4×10^{-5} barov).
- **VAROVANIE:** Nebezpečenstvo vzniku požiaru: na varných povrchoch neuchovávajte žiadne predmety.
- Nesmie sa používať parný čistič.
- **NIKDY** sa nesnažte uhasiť oheň vodou, ale zariadenie vypnite a potom plameň zakryte napríklad vekom alebo požiarnou dekou.

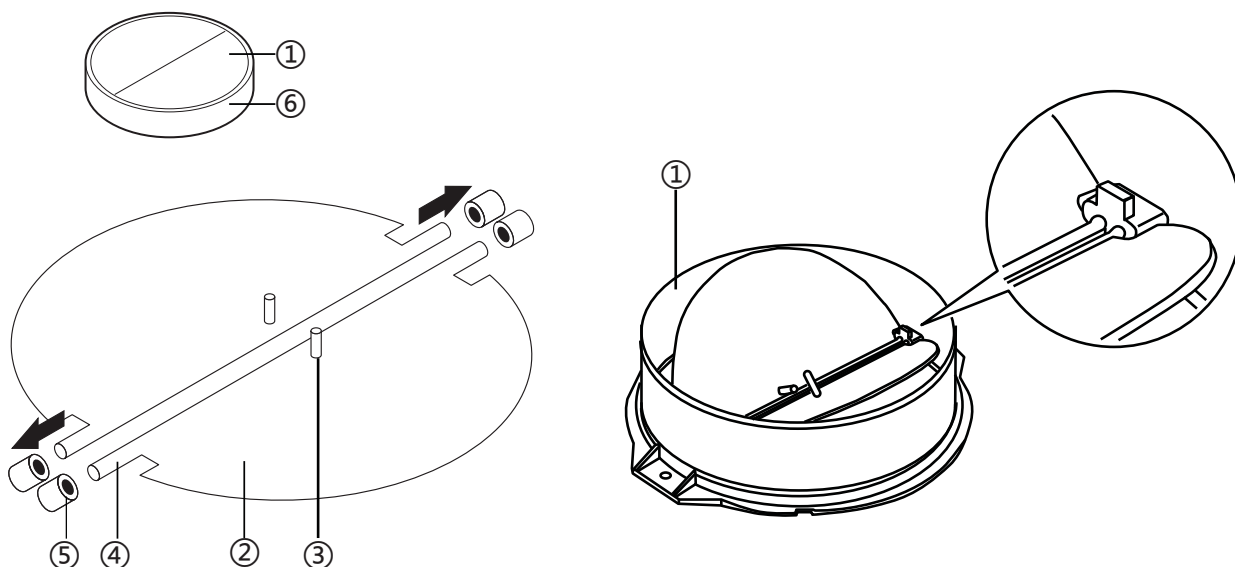
INŠTALÁCIA (EXTERNÉ VETRANIE)

MONTÁŽ KLAPKY

Ak nemá digester namontovanú klapku 1, mali by ste k nemu primontovať obe polovice klapky. Obrázky zobrazujú len príklad, ako namontovať klapku, pretože výstup sa môže odlišovať v závislosti od rôznych modelov a konfigurácií.

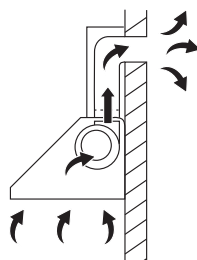
Na montáž klapky 1, by ste mali:

- nainštalovať dve polovice klapky 2 do korpusu 6,
- kolík 3 by mal smerovať nahor,
- os 4 by mala byť vložená do otvorov 5 na korpuse,
- všetky úkony zopakujte aj v prípade 2. polovice klapky.

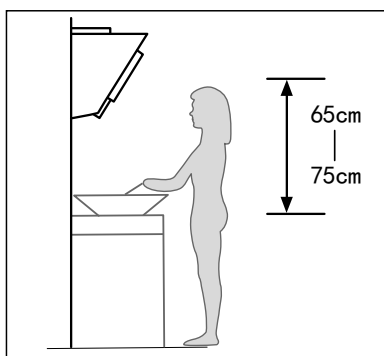


MONTÁŽ

Ak máte spravený vývod vonku, digester môžete pripojiť ako je zobrazené na obrázku dole s pomocou odsávacieho potrubia (smalt, hliník, ohybná rúra alebo nehorľavý materiál s vnútorným priemerom 150 mm).

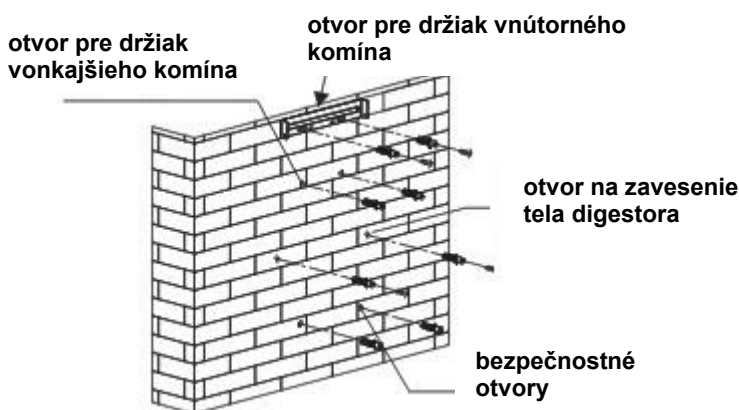


1. Pred inštaláciou vypnite jednotku.
2. Najvyššia účinnosť digestora sa dosiahne pri umiestnení 65~75 cm nad varnou doskou.



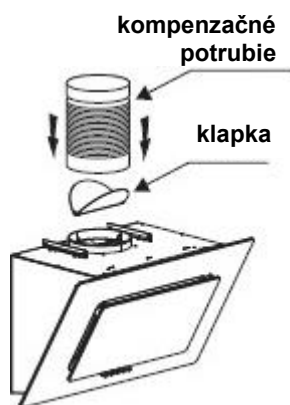
Obr. 1

- Po rozhodnutí o výške digestora zmerajte polohu otvorov pre zavesenie digestora, držiak vnútorného komína, držiak vonkajšieho komína a bezpečnostné otvory. Vyvrtajte 8 $\varnothing 8$ otvorov a zasuňte rozperky do otvorov. Upevnite držiak vnútorného komína na stenu pomocou 2 skrutiek ST4 x 40 mm. Do otvoru zaskrutkujte 2 skrutky ST4 x 8 mm na zavesenie tela digestora a nainštalované skrutky nechajte 3 – 5 mm od steny na zavesenie digestora. Upevnená poloha držiaka vnútorného komína je najvyšším miestom komína. Pozri obr. 2.

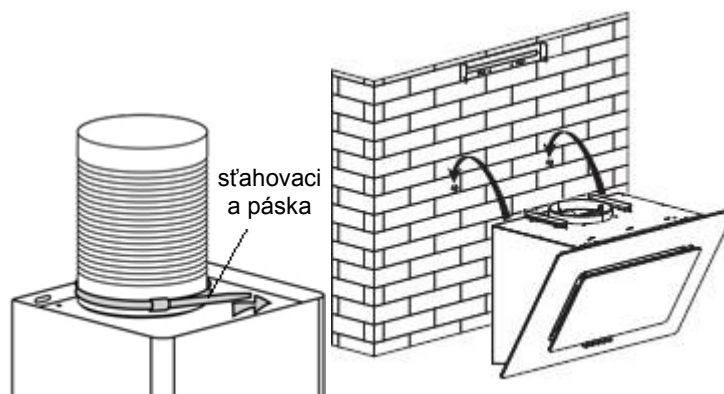


Obr. 2

- Nainštalujte klapku (**nie je súčasťou dodávky**) a kompenzačné potrubie (**nie je súčasťou dodávky**) na digestor. Pripevnite kompenzačné potrubie na výstupe pomocou sťahovacej pásky. Upozornenie: Kompenzačné potrubie a klapka nie sú súčasťou výrobku. Pozri obr. 3.
- Zaveste digestor na háčik. Pozri obrázok 4.



Obrázok 3



Obrázok 4

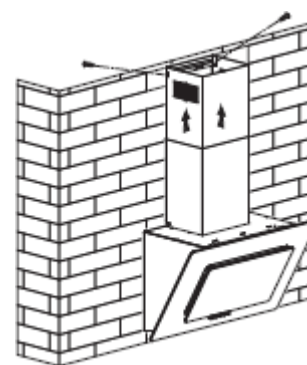
6. Držiak vonkajšieho komína namontujte na vonkajší komín pomocou 2 skrutiek ST4*8 mm, tu sa uistite, či sa dá vnútorný komín voľne ohnúť. Pozri Obrázok 5.
7. Upevnite digestor 2 bezpečnostnými skrutkami ST4*30 mm. Poznámka: Na zadnom kryte sú umiestnené dva bezpečnostné vetracie otvory s priemerom 6 mm. Umiestnite obaja komíny na digestor, upevnite vonkajší komín na stenu pomocou 2 skrutiek ST4*40 mm a vyvedte kompenzačné potrubie von. Pozri obr. 6.
8. Výšku vnútorného komína nastavte do polohy držiaka vnútorného komína a upevnite ju 2 skrutkami ST4*8 mm. Upevnite vonkajší komín na telo digestora 2 skrutkami ST4*8 mm. Pozri obrázok 7.



Obrázok 5



Obrázok 6



Obrázok 7

Elektrická inštalácia

Všetky inštalčné práce musí vykonať kompetentná osoba alebo spôsobilý elektrikár. Pred pripojením sieťového napájania sa uistite, že sieťové napätie zodpovedá napätiu na typovom štítku.

Priame pripojenie

Spotrebič musí byť pripojený priamo k sieti pomocou viacpólového ističa s minimálnou medzerou 3 mm medzi kontaktmi.

Inštalčný technik musí zabezpečiť vykonanie správneho elektrického pripojenia v súlade so schémou zapojenia.

Kábel sa nesmie ohýbať ani stláčať.

Pravidelne kontrolujte zástrčku a napájací kábel, či nie sú poškodené. Ak je napájací kábel poškodený, musí sa vymeniť za špeciálny kábel alebo sústavu od výrobcu alebo jeho servisného zástupcu.

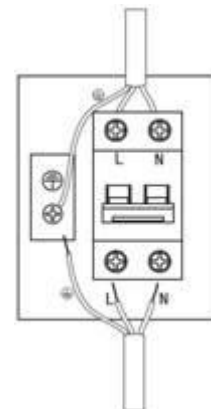
VAROVANIE: Toto je zariadenie triedy I a MUSÍ byť uzemnené

Tento spotrebič je dodávaný so 3-žilovým sieťovým káblom s nasledujúcimi

farbami: hnedý = L alebo živý,

modrý = N alebo neutrálny,

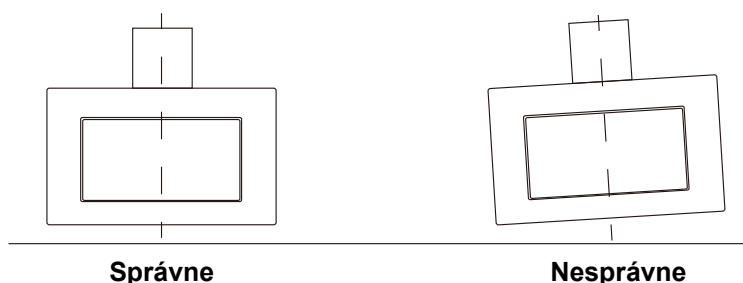
zelený a žltý = E alebo uzemňovací 



TIPY NA INŠTALÁCIU ODSÁVACIEHO POTRUBIA

Aby bolo odsávanie optimálne, je potrebné prísne dodržiavať nasledujúce pravidlá:

- Udržujte odsávacie potrubie krátke a rovné.
- Nezmenšujte veľkosť ani neobmedzujte odsávacie potrubie.
- Pri použití ohybného potrubia ho vždy nainštalujte riadne natiahnuté, aby sa minimalizovala strata tlaku.
- Nedodržanie týchto základných pokynov zníži výkon a zvýši hladinu hluku digestora.
- Všetky inštalačné práce musí vykonať spôsobilý elektrikár alebo kompetentná osoba.
- Vedenie digestora nepripájajte k nijakému existujúcemu ventilačnému systému, ktoré používa ktorékoľvek iné zariadenie, ako napríklad potrubie ohrievača, plynové potrubie či potrubie sušiča.
- Uhol kolena expanzného potrubia by nemal byť menší než 120°, potrubie musíte nasmerovať vodorovne alebo by malo ísť nahor od východiskového bodu a malo by viesť k vonkajšej stene.
- Po inštalácii skontrolujte, či je digestor v rovine, aby sa mastnota nezberala len na jednom konci.



Uistite sa, že odsávacie potrubie zvolené pre inštaláciu zodpovedá príslušným normám a spomaľuje horenie.

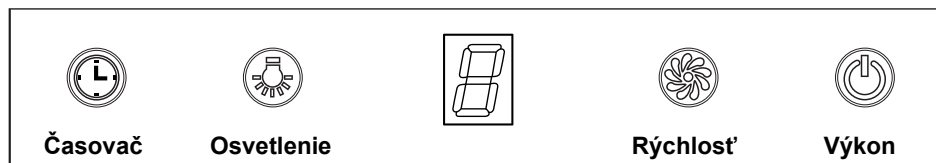
VAROVANIE:



- Z bezpečnostných dôvodov výlučne používajte tú istú veľkosť upevňovacích alebo montážnych skrutiek, ktorá sa odporúča v tomto návode na používanie.
- Ak skrutky alebo upevňovacie zariadenie nenainštalujete podľa týchto pokynov, môže dôjsť k riziku zásahu elektrickým prúdom.

Prvé použitie digestora

Dotykové ovládanie



1. Stlačte tlačidlo „Napájanie“, tlačidlo ovláda „zapnutie“ a „vypnutie“ digestora.
2. Po čase stlačte tlačidlo „Rýchlosť“, motor beží pri nízkej/strednej/vysokej/nízkej/strednej rýchlosti..., rýchlosť beží cyklicky a LED displej cyklicky zobrazuje ako 1-2-3-1-2...
3. Stlačte tlačidlo „Osvetlenie“, rozsvieti sa osvetlenie, stlačte toto tlačidlo znova, osvetlenie zhasne. Upozorňujeme, že osvetlenie nie je ovládané tlačidlom zapnutia/vypnutia.
4. Keď počas prevádzky digestora stlačíte tlačidlo „Časovač“, digester prejde do stavu potvrdenej prevádzky (doba potvrdenej prevádzky je 9 minút), a potom sa na displeji LED bude zobrazovať 9, 8, 7, 6 so znižovaním o 1. Keď vyprší čas, digester sa automaticky vypne a osvetlenie zhasne. Ak stlačíte tlačidlo „Časovač“, digester aktivuje alebo deaktivuje funkciu „Časovač“.

RIEŠENIE PROBLÉMOV

Porucha	Možná príčina	Riešenie
Svetlo svieti, ale nefunguje motor	Vypínač ventilátora sa vypne	Zvoľte polohu vypínača ventilátora.
	Vypínač ventilátora nefunguje	Obráťte sa na servisné stredisko.
	Motor nefunguje	Obráťte sa na servisné stredisko.
Osvetlenie nefunguje, motor nefunguje	Domové poistky sú vyhodnené	Zapnite/Vymeňte poistky.
	Napájací kábel je uvoľnený alebo odpojený	Znova zapojte napájací kábel do elektrickej zásuvky. Zapnite elektrickú zásuvku.
Únik oleja	Jednosmerný ventil a výstup nie sú tesne uzatvorené	Dajte jednocestný ventil dolu a utesnite ho tmelom.
	Únik z pripojenia komína a krytu	Demontujte komín a utesnite ho.
Svetlá nefungujú.	Poškodené alebo chybné žiarovky	Vymeňte žiarovky podľa tohto návodu.
Nedostatočné nasávanie	Vzdialenosť medzi digestorom a plynovou varnou doskou je príliš veľká	Nastavte digester do správnej vzdialenosti.
Digester sa nakláňa	Upevňovacia skrutka nie je dostatočne utiahnutá	Pritiahnite závesnú skrutku a narovnajte ju.



POZNÁMKA:

Akékoľvek elektrické opravy tohto zariadenia musia spĺňať miestne, národné a federálne zákony. Ak máte pred takýmto úkonom nejaké pochybnosti, obráťte sa na servisné stredisko. Pri otváraaní zariadenia ho vždy vypnite zo zdroja napájania.

ÚDRŽBA A ČISTENIE

Upozornenie:

- Pred údržbou alebo čistením by sa mal digestor odpojiť z napájacieho zdroja. Skontrolujte, či je digestor vypnutý zo zásuvky na stene.
- Vonkajšie povrchy sú náchylné k poškrabaniu a odreniu, preto postupujte podľa pokynov na čistenie, aby bol výsledok čo možno najlepší a aby nedošlo k poškodeniu.

VŠEOBECNÉ INFORMÁCIE

Čistenie a údržbu treba vykonávať vtedy, keď je zariadenie studené, toto platí zvlášť pri čistení. Nenechávajte na povrchu zásadité ani kyslé látky (citrónovú šťavu, ocot atď.).

NEHRDZAVEJÚCA OCEĽ

Nehrdzavejúca oceľ sa musí pravidelne čistiť (napr. raz za týždeň), aby sa zabezpečila dlhá životnosť. Vysušte ju čistou mäkkou utierkou. Je potrebné používať špeciálny čistiaci prostriedok na nehrdzavejúcu oceľ.

POZNÁMKA:

Nehrdzavejúcu oceľ utierajte pozdĺž štruktúry, aby sa predišlo nepekným križujúcim škrabancom.

POVRCH OVLÁDACIEHO PANELA

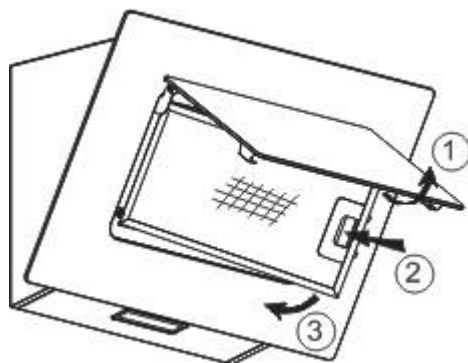
Vstavaný ovládací panel sa môže čistiť pomocou teplej mydlovej vody. Pred čistením skontrolujte, či je utierka čistá a dobre vyžmýkaná. Na odstránenie akejkoľvek vlhkosti ponechanej po čistení používajte suchú mäkkú utierku.

Dôležité

Používajte neutrálne čistiace prostriedky a vyvarujte sa použitia drsných čistiacich prostriedkov, silných čistiacich prostriedkov pre domácnosť alebo výrobkov s abrazívnou zložkou, pretože môžu ovplyvniť vzhľad spotrebiča a prípadne odstrániť potlač na ovládacom paneli a zrušiť platnosť záruky.

MRIEŽKOVÝ FILTER PROTI MASTNOTE

Mriežkové filtre sa dajú čistiť ručne. Namočte ich asi na 3 minúty do vody s jemným čistiacim prostriedkom, a potom ich jemne vykefujte mäkkou kefkou. Nevýviate príliš silný tlak, aby ste ich nepoškodili. (Nechajte ich voľne vysušiť mimo priameho slnečného svetla) Filtre treba umývať oddelene od riadu a kuchynského náčinia. Odporúčame nepoužívať leštidlo. Pri demontáži tukového filtra postupujte podľa obrázka.



INŠTALÁCIA MREŽKOVÉHO FILTRA PROTI MASTNOTE

- Ak chcete nainštalovať filtre, postupujte podľa nasledujúcich štyroch krokov:
- Filter nakloňte do otvorov v zadnej časti digestora.
- Stlačte tlačidlo na držadle filtra.
- Keď filter zapadne do správnej polohy, rukoväť uvoľnite.
- Opakujte pri inštalácii všetkých filtrov.

FILTER S AKTÍVNÝM UHLÍM – nie je súčasťou dodávky

Filter s aktívnym uhlím sa dá používať na zachytávanie pachov. Filter s aktívnym uhlím by sa mal normálne vymieňať po 3 až 6 mesiacoch v závislosti na vašich návykoch pri varení. Postup inštalácie filtra s aktívnym uhlíkom je opísaný nižšie:


1. Pred inštaláciou alebo výmenou filtrov s aktívnym uhlím odpojte jednotku od elektrickej siete.
2. Zatlačte zámok filtra a zložte mriežkový filter.
3. Otočte filter s aktívnym uhlím na oboch stranách motora proti smeru hodinových ručičiek. Nahradte filtre s aktívnym uhlím novými filtermi s aktívnym uhlím.
4. Vložte mriežkový filter.
5. Pripojte napájací kábel do zásuvky.



POZNÁMKA:

- Presvedčte sa, že je filter bezpečne zaistený. Inak by sa uvoľnil a spôsobil nebezpečenstvo.
- Po pripojení filtra s aktívnym uhlím sa zníži sací výkon.

VÝMENA ŽIAROVKY

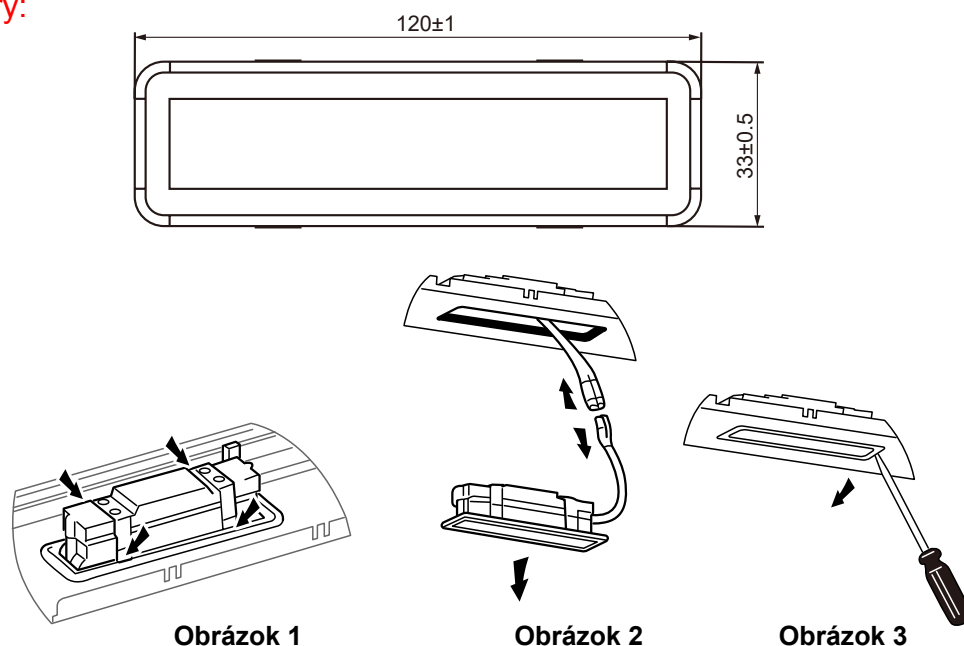
<p>Dôležité:</p> 	<ul style="list-style-type: none">✧ Žiarovku musí vymeniť výrobca, jeho servisný zamestnanec alebo podobne kvalifikovaná osoba.✧ Pred akýmkoľvek úkonom vždy vypnite napájanie spotrebiča. Pri manipulácii so žiarovkou sa pred akýmkoľvek priamym kontaktom s rukou uistite, že žiarovka úplne vychladla.✧ Pri manipulácii so žiarovkou ju držte utierkou alebo rukavicou, aby neprišla do kontaktu s potom, pretože by to mohlo znížiť životnosť žiarovky.
---	--

Poznámka:

- Pred výmenou osvetlenia možno digester odpojiť od napájacej siete pomocou zástrčky alebo všepólového vypínača.
- Pri výmene osvetlenia sa chráňte pred nebezpečenstvom, napríklad nosením rukavíc.

Výmena osvetlenia:

- Demontujte tukový filter.
- Spôsob 1. Pomocou nástroja alebo ruky zatlačte klin pružiny na oboch stranách LED osvetlenia dovnútra, až kým nie je osvetlenie vytlačené, pozri obr. 1. Potom zľahka vytiahnite pripojovací vodič osvetlenia a demontujte svorku pripojovacieho vodiča osvetlenia. Pozri obr. 2.
- Spôsob 2. Pomocou plochého skrutkovača zdvihnite spodný okraj LED osvetlenia, pozri obrázok 3, potom ľahko vytiahnite LED osvetlenie a pripojovací vodič. Pozri obr. 2.
- Pri inštalácii osvetlenia použite postup v obrátenom poradí.
- ILCOS D kód tohto svietidla je: **DSS-1.5/65-S-120/33**
- LED moduly – obdĺžnikové LED svietidlo
- Max. výkon: 1×1,5 W
- Rozsah napätia: DC 12 V
- Rozmery:



OCHRANA ŽIVOTNÉHO PROSTREDIA:



Tento výrobok je označený symbolom o selektívnom triedení odpadu z elektrických zariadení. To znamená, že tento výrobok sa nesmie likvidovať spolu s domácim odpadom, ale sa musí odovzdať v stredisku na zber separovaného odpadu v súlade so smernicou 2012/19/ES. Potom sa recykluje alebo rozoberie s cieľom minimalizovať dopady na životné prostredie, pretože elektrické a elektronické výrobky sú potenciálne nebezpečné pre životné prostredie a ľudské zdravie vzhľadom na nebezpečné látky v nich prítomné. Ak potrebujete viac informácií, obráťte sa na miestne alebo regionálne orgány.

POZNÁMKA:

Nižšie je uvedené, ako znížiť celkový dopad na životné prostredie (napr. používanie energií) pri procese varenia).

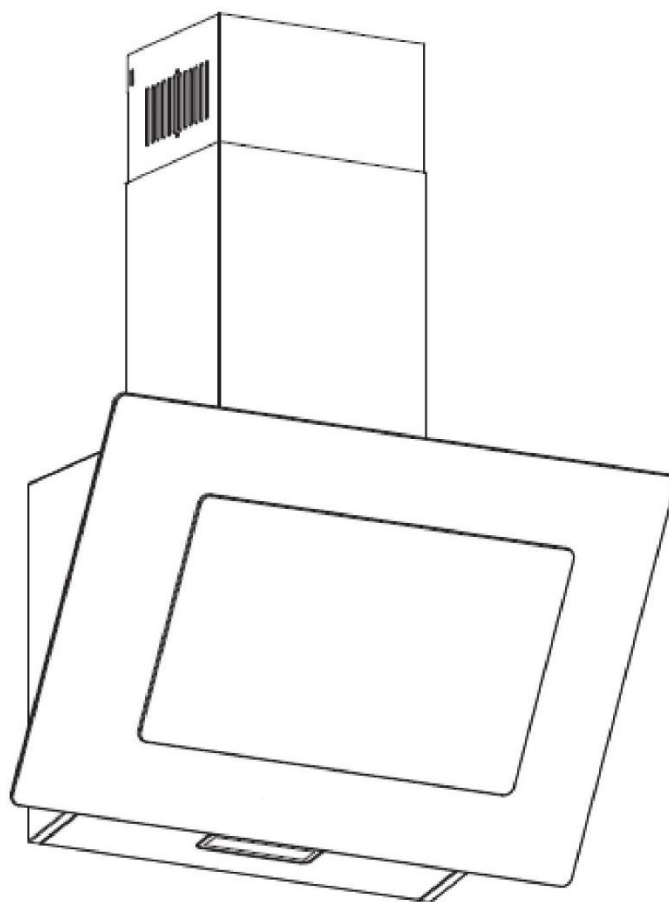
- (1) Digestor nainštalujte na vhodnom mieste, kde je dostatočné vetranie.
- (2) Digestor pravidelne čistite, aby sa neupchal vzduchovod.
- (3) Po skončení varenia vypnite svetlo na digestore.
- (4) Po skončení varenia vypnite digestor.

INFORMÁCIE O DEMONTÁŽI

Spotrebič nedemontujte ináč ako spôsobom uvedeným v tomto návode na obsluhu. Spotrebič môže demontovať aj používateľ. Spotrebič po skončení životnosti nesmiete likvidovať spolu s domácim odpadom. Informácie o recyklácii vám poskytne miestny úrad alebo maloobchodný predajca.

CDG6CBG

Okap kuchenny Instrukcja obsługi



Spis treści

1. Instrukcje bezpieczeństwa	4
2. Instalacja	6
3. Zaczynij korzystać z okapu kuchennego	10
4. Usuwanie usterek	10
5. Konserwacja i czyszczenie	11
6. Ochrona środowiska	14

INSTRUKCJE BEZPIECZEŃSTWA

Niniejsza instrukcja objaśnia prawidłową instalację i użytkowanie okapu kuchennego; przeczytaj ją uważnie przed użyciem, nawet jeśli znasz produkt. Instrukcję należy przechowywać w bezpiecznym miejscu, aby móc z niej skorzystać w przyszłości.

Nigdy nie należy robić:

- Nie próbuj używać okapu kuchennego bez filtrów przeciwtłuszczowych lub gdy filtry są nadmiernie zatłuszczone!
- Nie instaluj nad kuchenką z wysoko-poziomym grillem.
- Nie pozostawiaj patelni bez nadzoru podczas smażenia, ponieważ przegrzane tłuszcze czy oleje mogą się zapalić.
- Nigdy nie pozostawiaj otwartego ognia pod okapem kuchennym.



- Jeśli okap kuchenny jest uszkodzony, nie należy go używać.
- Nie należy zbliżać płomienia do okapu kuchennego.
- **OSTROŻNIE:** Dostępne części mogą się nagrzewać podczas używania z urządzeniami do gotowania.
- Minimalna odległość pomiędzy powierzchnią nośną na naczynia kuchenne na płycie grzewczej a najniższą częścią okapu. (Gdy okap kuchenny znajduje się nad kuchenką gazową, odległość ta musi wynosić co najmniej 65 cm)
- Nie wolno odprowadzać powietrza do przewodu kominowego wykorzystywanego do odprowadzania spalin z urządzeń spalających gazy lub inne paliwa.



Zawsze należy robić:

- **Ważne!** Zawsze odłączaj zasilanie elektryczne od sieci podczas instalacji i konserwacji, jak np. wymiany żarówki.
- Okap kuchenny musi być zainstalowany zgodnie z instrukcją instalacji, przestrzegając przy tym wszystkich wymiarów.
- Wszelkie prace instalacyjne muszą być wykonane przez kompetentną osobę lub wykwalifikowanego elektryka.
- Proszę ostrożnie wyrzucić opakowanie. Stanowi ono zagrożenie dla dzieci.
- Zwróć uwagę na ostre krawędzie wewnątrz okapu kuchennego, szczególnie podczas instalacji i czyszczenia.
- Upewnij się, że kanały wentylacyjne nie są zgięte pod kątem ostrzejszym niż 90 stopni, ponieważ zmniejszy to wydajność okapu kuchennego.
- **Ostrzeżenie:** Zamocowanie wkrętów lub urządzenia mocującego niezgodnie z niniejszą instrukcją może spowodować zagrożenie elektryczne.
- **Ostrzeżenie:** Przed uzyskaniem dostępu do przyłączy wszystkie obwody zasilania muszą zostać odłączone.

Zawsze należy robić:

- Zawsze kładź pokrywki na garnki i patelnie podczas gotowania na kuchence gazowej.
- W trybie odprowadzania powietrze w pomieszczeniu jest usuwane przez okap kuchenny. Upewnij się, że została zapewniona odpowiednia wentylacja. Okap kuchenny usuwa z pomieszczenia zapachy, ale nie opary.
- Okap kuchenny jest przeznaczony wyłącznie do użytku domowego.



- Jeśli kabel zasilający ulegnie uszkodzeniu, dla bezpieczeństwa należy zlecić jego wymianę producentowi, autoryzowanemu serwisowi lub osobom o podobnych kwalifikacjach.
- Urządzenie może być obsługiwane przez dzieci powyżej 8 roku życia i przez osoby o ograniczonych możliwościach fizycznych, sensorycznych lub umysłowych lub osoby nieposiadające doświadczenia ani wiedzy pod warunkiem, że są one pod odpowiednim nadzorem lub zostały poinstruowane, jak bezpiecznie obsługiwać urządzenie i rozumieją związane z nim zagrożenia. Dzieci nie powinny bawić się urządzeniem. Czyszczenie i konserwacja nie mogą być wykonywane przez dzieci bez dozoru.



Zawsze należy robić:

- Uwaga: Urządzenie oraz jego dostępne części mogą się nagrzewać podczas działania. Uważaj, aby nie dotykać elementów grzejnych. Dzieci w wieku poniżej 8 lat powinny trzymać się z dala od urządzenia, chyba że znajdują się one pod stałym nadzorem.
- W przypadku gdy okap kuchenny jest używany w tym samym czasie co urządzenia spalające gaz lub inne paliwa, musi być zapewniona odpowiednia wentylacja pomieszczenia.
- Jeżeli czyszczenie nie odbywa się zgodnie z instrukcjami, istnieje zagrożenie pożarowe.
- Należy zachować zgodność z przepisami dotyczącymi odprowadzania powietrza.
- Czyść okresowo urządzenie, postępując zgodnie z metodą opisaną w rozdziale KONSERWACJA.
- Ze względów bezpieczeństwa używaj tylko tych samych rozmiarów śrub mocujących czy montażowych, które są zalecane w niniejszej instrukcji obsługi.
- Szczegółowe informacje na temat metody i częstotliwości czyszczenia znajdują się w części poświęconej konserwacji i czyszczeniu w instrukcji obsługi.
- Czyszczenie i konserwacja nie mogą być wykonywane przez dzieci bez dozoru.
- Gdy okap kuchenny i urządzenia zasilane energią inną niż prąd są jednocześnie włączone, ciśnienie ujemne w pomieszczeniu nie może przekraczać 4 Pa (4 x 10⁻⁵ barów).
- **OSTRZEŻENIE:** Niebezpieczeństwo pożaru: nie przechowuj przedmiotów na powierzchniach gotowania.
- Nie należy używać odkurzacza parowego.
- **NIGDY** nie próbuj gasić ognia wodą. Należy wyłączyć urządzenie, a następnie zakryć płomień, na przykład pokrywką lub kocem gaśniczym.

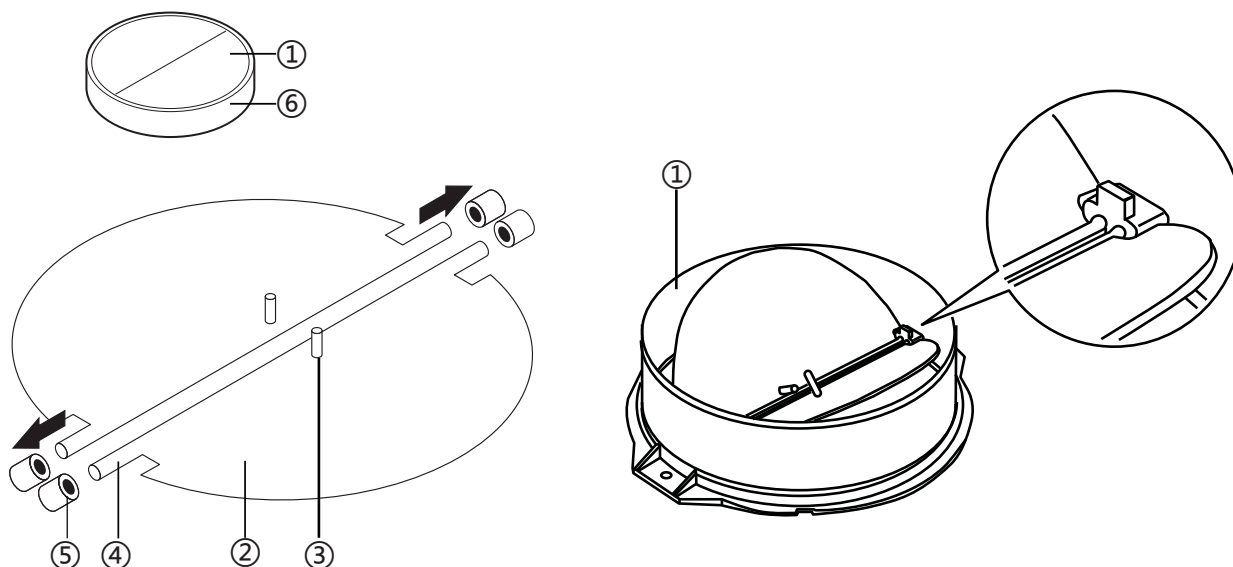
INSTALACJA (WENTYLACJA ZEWNĘTRZNA)

MONTAŻ KLAPY ZWROTNEJ

Jeśli w okapie kuchennym nie ma zamontowanej klapy zwrotnej 1, należy przymocować połówki części do jego korpusu. Obrazy pokazują tylko przykład zamontowania klapy zwrotnej, wylot może być odmienny w zależności od różnych modeli i konfiguracji.

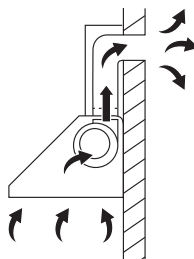
Aby zamontować klapę zwrotną 1, należy:

- Zamontować dwie połówki 2 w korpusie 6
- Bolec 3 powinien być skierowany ku górze;
- Oś 4 powinna być włożona w otwory 5 na korpusie;
- Powtórz wszystkie czynności dla drugiej połowy.

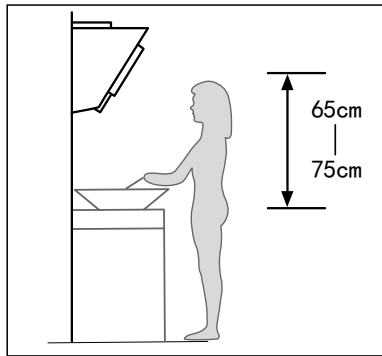


MONTAŻ

Jeśli dostępny jest wylot na zewnątrz, okap można połączyć przewodem odpływowym (emalia, aluminium, elastyczna rura lub materiał niepalny o średnicy wewnętrznej 150 mm) w sposób pokazany na poniższym rysunku

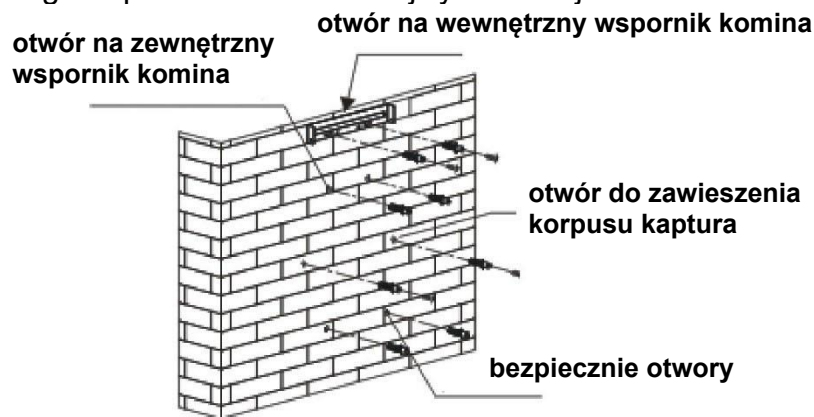


1. Przed instalacją wyłącz urządzenie.
2. Aby uzyskać optymalny efekt, okap należy umieścić w odległości 65-75 cm nad powierzchnią gotowania.



Rys. 1

3. Po ustaleniu wysokości okapu należy zmierzyć położenie otworów do zawieszenia okapu, wewnętrznego wspornika komina, zewnętrznego wspornika komina oraz otworów zabezpieczających. Wywierć 8 otworów $\varnothing 8$ i włóż w nie kołki rozporowe. Przymocuj wewnętrzny wspornik komina do ściany za pomocą 2 szt. wkrętów ST4 x 40 mm. Wkręć 2 szt. wkrętów ST4 x 8mm w otwór do zawieszenia korpusu okapu, a zainstalowane wkręty powinny wystawać ze ściany na 3-5mm w celu zawieszenia okapu. Stała pozycja wewnętrznego wspornika komina to najwyższe miejsce komina. Patrz rys. 2.



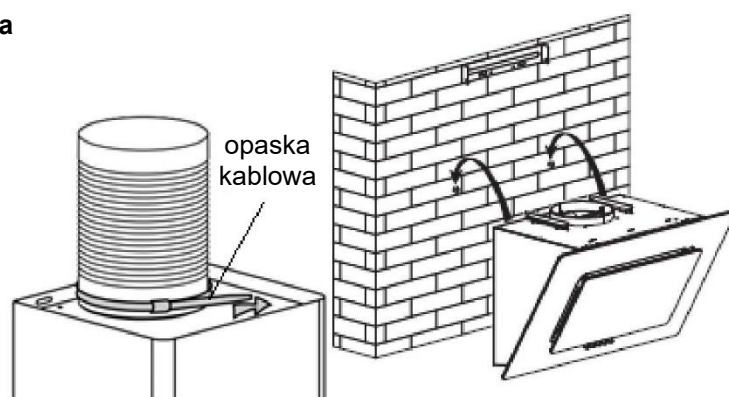
Rys. 2

4. Zamontować klapę V (**brak w zestawie**) i rurkę rozprężną (**brak w zestawie**) na okapie kuchennym. Zamocuj rurę rozprężną na wylocie za pomocą opaski kablowej. Proszę zwrócić uwagę: Rura rozprężna i klapa V nie wchodzi w skład produktu. Patrz rys. 3.

5. Zawieś okap na haku. Patrz rys. 4.

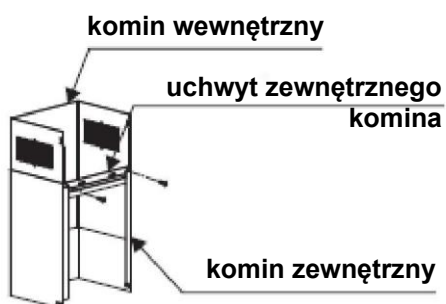


Rys. 3

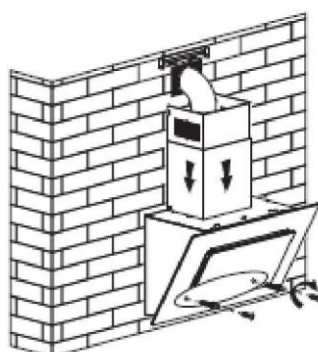


Rys. 4

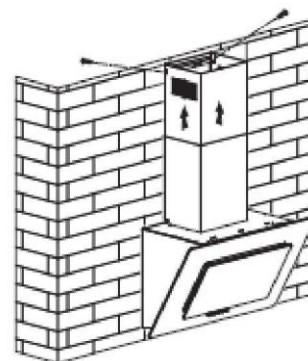
6. Zamontuj wspornik komina zewnętrznego na kominie zewnętrznym za pomocą 2 szt. śrub ST4*8mm, w tym miejscu należy upewnić się, że komin wewnętrzny można swobodnie wyginać. Patrz rys. 5.
7. Przymocuj okap za pomocą 2 śrub zabezpieczających ST4*30mm. Uwaga: Na tylnej obudowie znajdują się dwa otwory wentylacyjne o średnicy 6mm. Nałóż dwa kominiki na okap, przymocuj komin zewnętrzny do ściany za pomocą 2 szt. śrub ST4*40mm i wyprowadź rurę rozprężną na zewnątrz. Patrz rys. 6.
8. Dopasuj wysokość wewnętrznego komina do pozycji wewnętrznego wspornika komina i zamocuj go 2szt. śrubami ST4*8mm. Przymocuj zewnętrzny komin do korpusu okapu za pomocą 2 szt. śrub ST4*8mm. Patrz rys. 7.



Rys. 5



Rys. 6



Rys. 7

Instalacja Elektryczna

Wszelkie instalacje muszą być wykonane przez kompetentną osobę lub wykwalifikowanego elektryka. Przed podłączeniem zasilania sieciowego upewnij się, że napięcie sieciowe odpowiada napięciu na tabliczce znamionowej.

Bezpośrednie połączenie

Urządzenie musi być podłączone bezpośrednio do sieci za pomocą wyłącznika wielobiegunowego z minimalnym otwarciem 3 mm między stykami.

Instalator musi upewnić się, że wykonano prawidłowe połączenie elektryczne i jest ono zgodne ze schematem elektrycznym.

Przewód nie może być zgięty ani ściśnięty.


Regularnie sprawdzaj wtyczkę i przewód zasilający pod kątem uszkodzeń. Jeśli przewód zasilający jest uszkodzony, należy go wymienić na specjalny przewód lub zestaw dostępny u producenta lub jego przedstawiciela serwisowego.

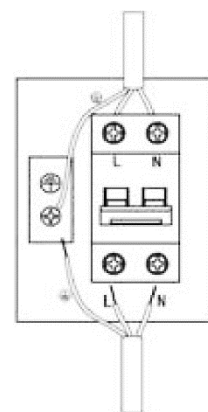
OSTRZEŻENIE: Jest to urządzenie klasy I i MUSI być uziemione

To urządzenie jest dostarczane z 3-żyłowym przewodem zasilającym

w następujących kolorach: Brązowy = L lub Żywy

Niebieski = N lub Neutralny

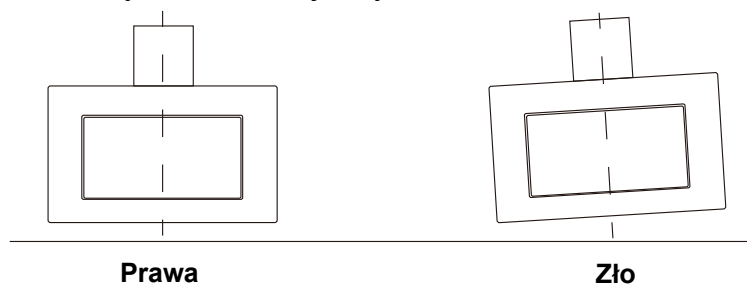
Zielony i Żółty = E lub Ziemia 




WSKAZÓWKI DOTYCZĄCE INSTALACJI RURY ODPROWADZAJĄCEJ

Aby uzyskać optymalne odprowadzanie powietrza, należy ściśle przestrzegać następujących zasad:

- Rura odprowadzająca powinna być krótka i prosta
- Nie pomniejszaj rozmiaru ani nie zwężaj rury odprowadzającej
- W przypadku stosowania rur elastycznych należy zawsze zainstalować napiętą rurę, aby zminimalizować straty ciśnienia.
- Nieprzestrzeganie tych podstawowych instrukcji zmniejszy wydajność i zwiększy poziom hałasu okapu kuchennego.
- Wszelkie prace instalacyjne muszą być wykonywane przez wykwalifikowanego elektryka lub kompetentną osobę.
- Nie podłączaj systemu kanałów okapu do istniejącego systemu wentylacyjnego, który jest używany do innych urządzeń, takich jak rura ciepła, rura gazowa, rura ciepłego powietrza.
- Kąt zgięcia rury wentylacyjnej nie powinien być mniejszy niż 120°; musisz ustawić rurę poziomo lub, alternatywnie, rura powinna biec od punktu początkowego i być skierowana do zewnętrznej ściany.
- Po zakończeniu instalacji upewnij się, że okap kuchenny jest ustawiony poziomo, aby uniknąć gromadzenia się tłuszczu na jednym końcu.

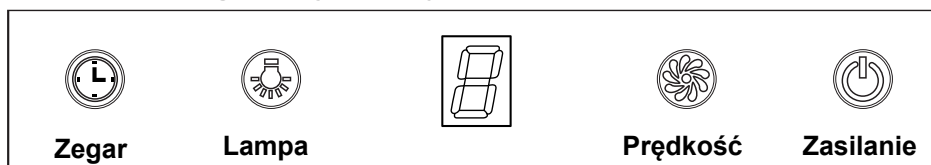


Upewnij się, że wybrane do instalacji rury odprowadzające są zgodne z odpowiednimi normami i ognioodporne.

<p>OSTRZEŻENIE:</p> 	<ul style="list-style-type: none">➤ Ze względów bezpieczeństwa używaj tylko tych samych rozmiarów śrub mocujących czy montażowych, które są zalecane w niniejszej instrukcji obsługi.➤ Zamocowanie wkrętów lub urządzenia mocującego niezgodnie z niniejszą instrukcją może spowodować zagrożenie elektryczne.
--	---

Zacznij korzystać z okapu kuchennego

Panel obsługi dotykowej



1. Naciśnij przycisk „Zasilanie”, przycisk kontroluje „włączanie” i „wyłączanie” okapu.
2. Naciskaj przycisk „Prędkość” raz po raz, silnik pracuje jako niski/średni/wysoki/niski/średni..., prędkość obraca się w kółko; a wyświetlacz LED wskaże 1-2-3-1-2.. okrężnie.
3. Naciśnij przycisk „Lampa”, światło się zaświeci, naciśnij ten przycisk ponownie, światło zgaśnie. Należy pamiętać, że lampa nie jest sterowana przyciskiem włączania/wyłączania.
4. Gdy okap pracuje, jeśli wciśniemy przycisk „Zegar”, okap przejdzie w stan gotowości do pracy (czas gotowości wynosi 9 minut), a następnie na wyświetlaczu LED pojawi się 9.8.7.6... zmniejszając się o 1, gdy upłynie czas, okap wyłączy się automatycznie, a lampka zgaśnie. Po naciśnięciu przycisku „Zegar” okap włączy lub wyłączy funkcję „Zegar”.

USUWANIE USTEREK

Usterka	Potencjalna przyczyna	Rozwiązanie
Żarówka włączona, ale silnik nie działa	Wyłącznik wentylatora jest wyłączony	Wybierz pozycję wyłącznika wentylatora.
	Wyłącznik wentylatora nie działa	Skontaktuj się z centrum serwisowym.
	Silnik nie działa	Skontaktuj się z centrum serwisowym.
Światło nie działa, silnik nie działa	Przepalone bezpieczniki domowe	Zresetuj/wymień bezpieczniki.
	Kabel zasilający jest poluzowany lub odłączony	Ponownie podłącz przewód zasilający do gniazdka elektrycznego. Włącz gniazdko.
Wyciek oleju	Zawór jednokierunkowy i wylot nie są ciasno uszczelnione	Zdejmij zawór jednokierunkowy i uszczelnij szczeliwem.
	Wyciek z połączenia komina i pokrywy	Zdejmij komin i uszczelnij.
Światła nie działają	Pęknięte lub wadliwe żarówki	Wymień kulki zgodnie z tą instrukcją.
Niewystarczające odsysanie	Odległość pomiędzy okapem kuchennym a gazową płytą grzejną jest zbyt duża	Ustaw ponownie okap kuchenny w prawidłowej odległości.
Okap kuchenny jest pochylony	Śruba mocująca nie jest wystarczająco mocno dokręcona	Dokręć śrubę mocującą i ustaw go poziomo.

UWAGA:



Wszelkie naprawy elektryczne tego urządzenia muszą być zgodne z lokalnymi, stanowymi i federalnymi przepisami. W razie jakichkolwiek wątpliwości prosimy o kontakt z centrum serwisowym przed podjęciem któregośkolwiek z powyższych działań. Podczas otwierania urządzenia należy zawsze odłączyć je od źródła zasilania.

KONSERWACJA I CZYSZCZENIE

Uwaga:

- Przed rozpoczęciem konserwacji lub czyszczenia okap kuchenny należy odłączyć od głównego źródła zasilania. Upewnić się, że okap kuchenny jest wyłączony w gniazdku ściennym.
- Zewnętrzne powierzchnie są podatne na zadrapania i otarcia, dlatego należy postępować zgodnie z instrukcjami czyszczenia, aby uzyskać najlepszy możliwy rezultat bez uszkodzeń.

INFORMACJE OGÓLNE

Czyszczenie i konserwacja powinny być przeprowadzane po wystygnięciu urządzenia. Unikaj pozostawiania na powierzchni substancji alkalicznych lub kwaśnych (sok cytrynowy, ocet itp.).

STAL NIERDZEWNA

Stal nierdzewna musi być regularnie czyszczona (np. co tydzień), aby zapewnić długi okres użytkowania. Wycieraj czystą miękką ściereczką. Można użyć specjalistycznego płynu czyszczącego do stali nierdzewnej.

UWAGA:

Upewnij się, że wycieranie odbywa się wzdłuż tekstury stali nierdzewnej, aby zapobiec pojawieniu się nieestetycznych krzyżujących się zarysowań.

POWIERZCHNIA PANELU STEROWANIA

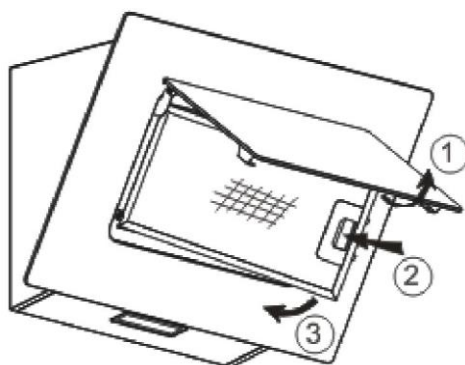
Wkładkę panelu sterowania można wyczyścić ciepłą wodą z mydłem. Przed czyszczeniem upewnij się, że ściereczka jest czysta i dobrze wykręcona. Użyj suchej, miękkiej ściereczki, aby usunąć nadmiar wilgoci pozostawionej po czyszczeniu.

Ważne

Używaj neutralnych detergentów i unikaj używania ostrych chemikaliów, silnych domowych detergentów czy produktów zawierających materiały ściernie, ponieważ wpłynie to na wygląd urządzenia i potencjalnie usunie wszelką drukowaną grafikę na panelu sterowania, jak również spowoduje unieważnienie gwarancji producenta.

FILTRY SIATKOWE PRZECIWTŁUSZCZOWE

Filtry siatkowe można czyścić ręcznie. Namocz je przez około 3 minuty w wodzie z dodatkiem delikatnego detergentu, a następnie delikatnie przetrzyj za pomocą miękkiej szczoteczki. Nie wolno wywierać zbyt dużego nacisku, aby uniknąć ich uszkodzenia. (Pozostaw do samoczynnego wyschnięcia z dala od bezpośredniego światła słonecznego) Filtry należy myć oddzielnie od naczyń stołowych i przyborów kuchennych. Zaleca się nie używać nabłyszczacza. Postępuj zgodnie z rysunkiem obok, aby zdemontować filtr tłuszczu.



MONTAŻ FILTRÓW SIATKOWYCH PRZECIWIW TŁUSZCZOWYCH

- Aby zamontować filtry, postępuj zgodnie z następującymi czterema krokami:
 - Umieść filtr w szczelinach z tyłu okapu.
 - Naciśnij przycisk na uchwycie filtra.
 - Zwolnij uchwyt, gdy filtr znajdzie się w pozycji spoczynkowej.
 - Powtórz czynności, aby zamontować wszystkie filtry.

FILTR WĘGLOWY- niedostarczony

Filtr z węglem aktywnym służy do neutralizowania zapachów. Zazwyczaj filtr z węglem aktywnym powinien być wymieniony po 3 do 6 miesięcy w zależności od przyzwyczajzeń żywieniowych i sposobu gotowania. Procedura instalacji filtra z węglem aktywnym wygląda następująco:


1. Przed instalacją lub wymianą filtrów węglowych należy odłączyć zasilanie od urządzenia.
2. Naciśnij blokadę filtra i wyjmij filtr siatkowy.
3. Obróć filtr węglowy po obu stronach silnika w kierunku przeciwnym do ruchu wskazówek zegara. Wymień filtry węglowe na nowe filtry węglowe.
4. Umieść filtr siatkowy.
5. Podłącz zasilanie do gniazdka ściennego.



UWAGA:

- Upewnij się, że filtr jest bezpiecznie zablokowany. W przeciwnym razie może się obluźnić i wywołać zagrożenie.
- Po założeniu filtra z węglem aktywnym moc ssania będzie obniżona.

WYMIANA ŻARÓWKI

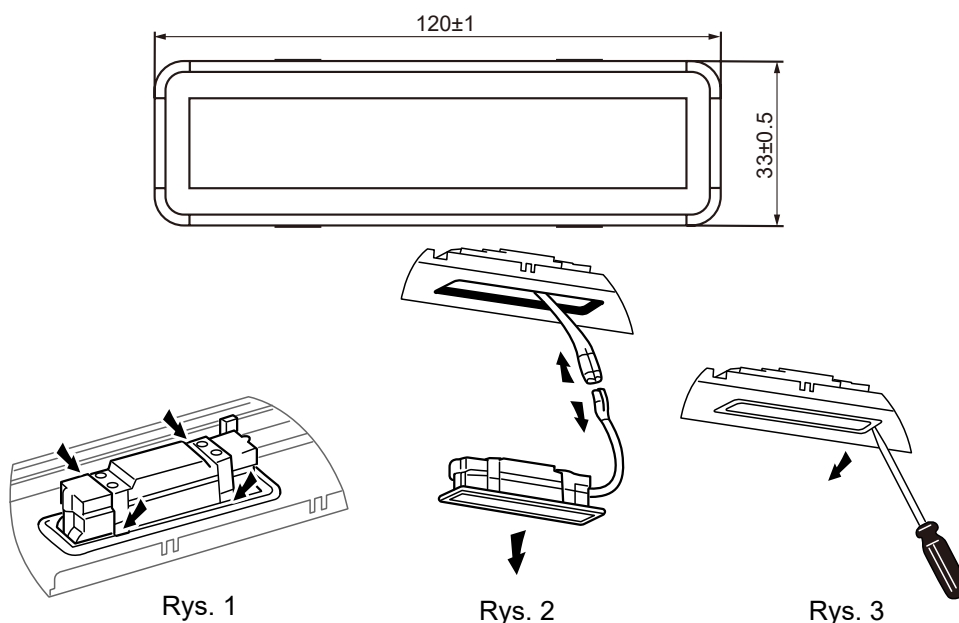
<p>Ważne:</p> 	<ul style="list-style-type: none">✧ Żarówka musi być wymieniona przez producenta, jego przedstawiciela serwisowego lub podobnie wykwalifikowaną osobę.✧ Zawsze wyłączaj zasilanie elektryczne przed wykonaniem jakichkolwiek czynności na urządzeniu. Podczas obsługi żarówki, upewnij się, że ostygła ona całkowicie przed bezpośrednim kontaktem z rękoma.✧ Podczas obsługi lampek należy użyć szmatki lub rękawic, aby zapewnić, że pot nie wejdzie w kontakt z lampką, ponieważ może to zmniejszyć jej żywotność.
---	---

Uwaga:

- Przed wymianą światła należy odłączyć okap od sieci zasilającej za pomocą wtyczki lub wyłącznika wielobiegunowego.
- Chron się przed niebezpieczeństwem podczas zmiany światel, takim jak noszenie rękawiczek.

Wymiana światła:

- Wyjmij filtr tłuszczu.
 - Sposób 1. Użyj narzędzia lub ręki, aby wcisnąć sprężynę po obu stronach diody LED do wewnątrz, aż światło zostanie wypchnięte, patrz rys. 1. Następnie delikatnie wyciągnij przewód łączący światło i zdemontuj końcówkę przewodu łączącego światło. Patrz rys. 2.
 - Sposób 2. Za pomocą prostego śrubokręta podważ dolną krawędź diody LED, patrz rys. 3, a następnie delikatnie wyciągnij lampkę LED i przewód łączący lampkę. Patrz rys. 2.
 - Zastosuj odwrotną procedurę, aby zainstalować światło z powrotem.
- Kod ILCOS D dla tej lampy to: **DSS-1.5/65-S-120/33**
 - Moduły LED -prostokątna lampa LED
 - Maks. moc: 1 x 1.5W
 - Zakres napięcia: DC 12V
 - Wymiary:



OCHRONA ŚRODOWISKA:

	<p>Niniejszy produkt jest oznaczony symbolem selektywnego segregowania zużytego sprzętu elektronicznego. Oznacza to, że produkt ten nie może być utylizowany wraz z odpadami komunalnymi, lecz musi być on utylizowany w ramach systemu selektywnej zbiórki zgodnie z dyrektywą 2012/19/UE. Następnie zostanie on poddany recyklingowi lub zdemontowany, aby zminimalizować wpływ na środowisko; produkty elektryczne i elektroniczne są potencjalnie niebezpieczne dla środowiska i zdrowia ludzkiego ze względu na obecność niebezpiecznych substancji. W celu uzyskania dodatkowych informacji proszę się skontaktować z lokalnymi lub regionalnymi władzami.</p>
--	--

UWAGA:

Poniżej pokazano, jak zredukować całkowity wpływ na środowisko (np. zużycie energii) podczas gotowania.

- (1) Zainstaluj okap w odpowiednim miejscu, w którym zapewniona jest skuteczna wentylacja.
- (2) Regularnie czyść okap, aby nie blokować kanałów powietrznych.
- (3) Pamiętaj, aby po zakończeniu gotowania wyłączyć światło okapu kuchennego.
- (4) Pamiętaj, aby po zakończeniu gotowania wyłączyć okap kuchenny.

INFORMACJE DOTYCZĄCE DEMONTAŻU

Nie demontuj urządzenia w sposób niepokazany w instrukcji obsługi. Urządzenie nie może być rozmontowane przez użytkownika. Po zakończeniu użytkowania urządzenia nie należy go wyrzucać wraz z odpadami domowymi. Informacje o recyklingu można otrzymać w miejscowym urzędzie lub u sprzedawcy.

حماية البيئة

هذا المنتج مُعلم بالرمز الخاص بالفرز الانتقائي لنفايات الأجهزة الإلكترونية. وهذا يعني أنه يجب عدم التخلص من المنتج مع النفايات المنزلية ولكن يجب دعمه بنظام التجميع الانتقائي وفقاً للتوجيه EU/19/2012. بعد ذلك ستتم إعادة تدويره أو تفكيكه لتقليل الآثار على البيئة، تعتبر المنتجات الكهربائية والإلكترونية محتملة الخطورة على البيئة وصحة الإنسان بسبب وجود مواد خطرة. لمزيد من المعلومات، الرجاء الاتصال بالسلطات المحلية أو الإقليمية الخاصة بك.



ملاحظة:


فيما يلي توضيح لكيفية تقليل الأثر البيئي (على سبيل المثال استخدام الطاقة) لعمليات الطهي.

- (1) قم بتركيب مدخنة موقد الطهي في مكان صحيح يتمتع بتهوية كافية.
- (2) نظّف مدخنة موقد الطهي بانتظام حتى لا تنسد ممرات الهواء.
- (3) تذكر إيقاف تشغيل مصباح مدخنة موقد الطهي بعد الانتهاء من الطهي.
- (4) تذكر إيقاف تشغيل مدخنة موقد الطهي بعد الانتهاء من الطهي.

معلومات بشأن التفكيك

لا تشرع في تفكيك الجهاز بطريقة غير موصحة في دليل المستخدم. ينبغي للمستخدم عدم تفكيك الجهاز. في نهاية فترة تشغيله، يجب عدم التخلص من الجهاز مع النفايات المنزلية. تحقق من إمكانية إعادة تدوير الجهاز مع السلطات المحلية أو تاجر التجزئة.

استبدال المصباح

<p>✧ يجب استبدال المصباح بواسطة جهة التصنيع، أو وكيل الخدمة أو أشخاص آخرين مؤهلين على نحو مماثل.</p> <p>✧ احرص دائماً على إيقاف تشغيل مصدر الكهرباء قبل تنفيذ أي عمليات على الجهاز.</p> <p>✧ عند التعامل مع المصباح، تأكد أنه بارد تماماً قبل أي احتكاك مباشر له باليدين.</p> <p>✧ عند التعامل مع المصابيح، أمسكها بقطعة قماش أو قفاز لضمان عدم ملامسة التعرق للمصباح نظرًا لأن ذلك يقلل عمر المصباح.</p>	<p>مهم:</p> 
---	---

ملاحظة:

- قبل استبدال المصباح، يمكن عزل مدخنة الموقد الكهربائي من مصدر الطاقة الرئيسي عن طريق سداة أو مفتاح متعدد الأقطاب.
- وفر الحماية من المخاطر عند تغيير المصابيح، بارتداء قفازات على سبيل المثال.

تغيير المصابيح:

- أزل فلتر الشحوم.
- الطريقة الأولى. استخدم أداة أو يدك للضغط على سن النابض على جانبي مصباح LED إلى الداخل، حتى يمكن إخراج المصباح للخارج، انظر الصورة 1. ثم اسحب سلك توصيل المصباح للخارج قليلاً، وفك طرف سلك توصيل المصباح. انظر الصورة 2.
- الطريقة الثانية. استخدم مفكًا لفك الحافة السفلية لمصباح LED، انظر الصورة 3، ثم اسحب مصباح LED وسلك توصيل المصباح قليلاً للخارج. انظر الصورة 2.
- اتبع الإجراء العكسي لإعادة تركيب المصباح.

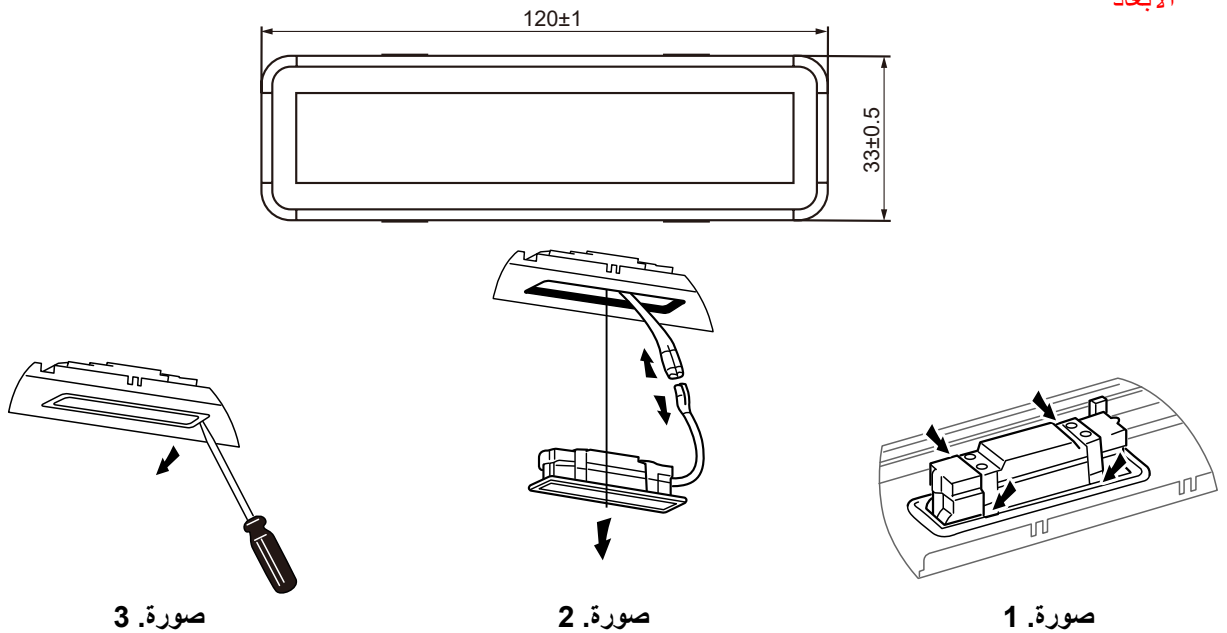
• رمز ILCOS D لهذا المصباح: DSS-1.5/65-S-120/33

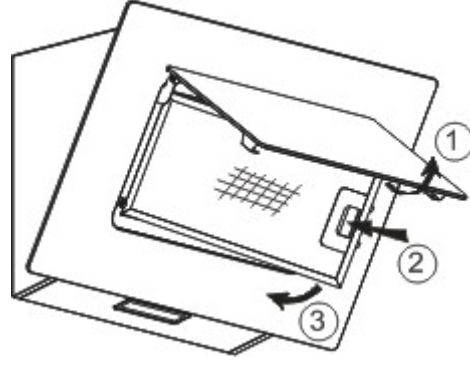
— وحدات LED - مصباح LED مستطيل

— أقصى قدرة 1.5×1 واط

— نطاق الجهد 12 فولت تيار مستمر

— الأبعاد





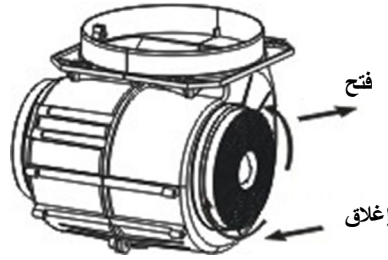
تركيب الفلاتر الشبكية للشحوم

- لتركيب الفلاتر اتبع الخطوات الأربعة التالية:
 - قم بمحاذاة الفلتر في الفتحات في مؤخرة مدخنة موقد الطهي.
 - اضغط على الزر الموجود بمقبض الفلتر.
 - حرر المقبض بمجرد أن يستقر الفلتر في موضعه المناسب.
 - كرر الخطوات لتركيب جميع الفلاتر.

الفلتر الكربوني غير مرفق

يمكن استخدام فلتر الكربون المنشط لسحب الروائح. في العادة، يجب تغيير فلتر الكربون المنشط كل ثلاثة أو ستة أشهر حسب عادات الطهي لديك. فيما يلي إجراء التركيب لفلتر الكربون المنشط:

1. قبل تركيب أو استبدال فلتر الكربون، يُرجى فصل الوحدة عن مصدر الطاقة الرئيسي.
2. اضغط على قفل الفلتر لإزالة الفلتر الشبكي.
3. أقلب فلتر الكربون على كلا جانبي المحرك في عكس اتجاه عقارب الساعة. استبدل فلتر الكربون بأخرى جديدة.
4. ضع الفلتر الشبكي.
5. وصل مصدر الطاقة بالمقبس الحائطي.



ملاحظة:

- تأكد من قفل الفلتر بإحكام. وإلا، فقد يتدلى ويشكل خطورة.
- عند تركيب فلتر الكربون المنشط، سوف تنخفض قوة الامتصاص.



ملاحظة:

يجب أن تتوافق أي إصلاحات كهربائية لهذا الجهاز مع القوانين المحلية وقوانين الولاية والقوانين الفيدرالية الخاصة بك. الرجاء الاتصال بمركز الخدمة إذا كان لديك أي شك قبل الشروع في أي من الإصلاحات السابقة. واحرص دائمًا على فصل اتصال الوحدة بمصدر الطاقة عند فتح الوحدة.

الصيانة والتنظيف

تنبيه:

- قبل إجراء الصيانة والتنظيف، يجب فصل مدخنة موقد الطهي على مصدر الطاقة الرئيسي. تأكد من إيقاف تشغيل مدخنة موقد الطهي من المأخذ الحائطي.
- الأسطح الخارجية عرضة للخدوش والتآكل، لذا اتبع تعليمات التنظيف للتأكد من تحقيق أفضل نتيجة بدون تلف.

عام

يجب إجراء الصيانة والتنظيف عندما يكون الجهاز باردًا خاصة عند التنظيف. تجنب ترك مواد قلووية أو حامضية (عصير الليمون أو الخل أو غيره) على الأسطح.

الصلب المقاوم للصدأ (ستانلس ستيل)

يجب تنظيف الصلب المقاوم للصدأ (ستانلس ستيل) بانتظام (على سبيل المثال أسبوعيًا) لضمان التشغيل مدة طويلة. جففه بقطعة قماش ناعمة ونظيفة. يمكن استخدام سائل تنظيف خاص للصلب المقاوم للصدأ (ستانلس ستيل).

ملاحظة:

تأكد من أن إجراء المسح تم في نفس اتجاه حبيبات الصلب المقاوم للصدأ لمنع ظهور أي أنماط خدوش متقاطعة قبيحة المنظر.

سطح لوحة التحكم

يمكن تنظيف لوحة التحكم باستخدام ماء دافئ وصابون. تأكد أن قطعة القماش نظيفة ومعصورة جيدًا قبل التنظيف. استخدم قطعة قماش جافة وناعمة لإزالة أي رطوبة زائدة متبقية بعد التنظيف.

مهم

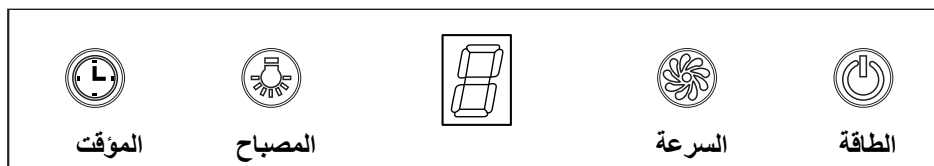
استخدم منظفات طبيعية وتجنب استخدام كيميائيات تنظيف قاسية أو منظفات منزلية قوية أو منتجات تحتوي على مواد كاشطة، نظرًا لأنها تؤثر على مظهر الجهاز ومن المحتمل أن تزيل أي طباعة فنية على لوحة التحكم كما أنها تبطل ضمان جهات التصنيع.

الفلاتر الشبكية للشحوم

يمكن تنظيف الفلاتر الشبكية باليد. انقعها مدة 3 دقائق في الماء مع منظف خفيف ثم نظفها بالفرشاة برفق باستخدام فرشاة ناعمة. يرجى عدم الضغط عليها بشدة، وتجنب إتلافها. (اتركها تجف بصورة طبيعية بعيدًا عن ضوء الشمس المباشر) يجب غسل الفلاتر بمنأى عن الأواني الفخارية وأواني المطبخ. ويوصى بعدم استخدام مادة مساعدة على الشطف. ارجع إلى الصورة المجاورة لفك فلتر الشحم.

بدء استخدام مدخنة موقد الطهي

لوحة اللمس



1. اضغط على زر "التشغيل"، وهو الزر الذي يتحكم في "تشغيل" و"إيقاف تشغيل" المدخنة.
2. اضغط على زر "السرعة" المرة تلو الأخرى، وسيعمل المحرك بالسرعة المنخفضة / المتوسطة / العالية / المنخفضة / المتوسطة... وهلم جرا، وتدور السرعة بشكل دائري، كما تشير شاشة LED إلى 1-2-3-1... بشكل دائري.
3. اضغط على زر "المصباح" ليضيء المصباح، اضغط على هذا الزر مرة أخرى لإطفاء المصباح. الرجاء ملاحظة أن المصباح لا يمكن التحكم فيه عن طريق زر التشغيل/إيقاف التشغيل.
4. أثناء تشغيل المدخنة، وعند الضغط على زر "الموقت"، فستنتقل المدخنة إلى حالة التشغيل المؤقت (وقت التشغيل المؤقت هو 9 دقائق)، ثم تعرض شاشة LED الأرقام 9.8.7.6... التي تتناقص تدريجياً وعند الوصول إلى 1 يكون الوقت قد انتهى، عندئذ يتوقف تشغيل المدخنة وينطفئ المصباح. عند الضغط على زر "الموقت"، يتم تشغيل أو إيقاف تشغيل وظيفة "الموقت".

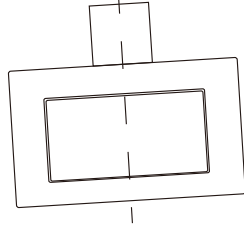
إصلاح الأعطال

العطل	السبب المحتمل	الحل
المصباح يضيء، ولكن المحرك لا يعمل	تم إيقاف تشغيل مفتاح المروحة	حدد وضع مفتاح المروحة.
	تعطل مفتاح المروحة	اتصل بمركز الخدمة.
	تعطل المحرك	اتصل بمركز الخدمة.
المصباح لا يعمل والمحرك لا يعمل	المصاهر المنزلية لا تعمل	أعد تعيين/استبدل المصاهر
	كابل الطاقة الرئيسي مُرتخٍ أو منفصل	أعد إدخال كابل الطاقة الرئيسي في مأخذ التيار الكهربائي. قم بتشغيل مأخذ الطاقة.
تسريب الزيت	لم يتم إحكام غلق الصمام من اتجاه واحد والمخرج	أخرج الصمام من اتجاه واحد ثم قم بسده باستخدام مانع تسريب.
	تسريب من وصلة المدخنة والغطاء	أخرج المدخنة وأحكام سدها.
المصابيح لا تعمل	المصابيح مكسورة أو معيبة	استبدل المصابيح وفقاً لهذه التعليمات.
الامتصاص غير كاف	المسافة بين مدخنة موقد الطهي وسطح موقد الغاز بعيدة جداً	أعد تركيب مدخنة موقد الطهي حسب المسافة الصحيحة.
مدخنة موقد الطهي مائلة	برغي التثبيت غير مربوط بإحكام	أحكام ربط برغي التعليق واجعله أفقياً.

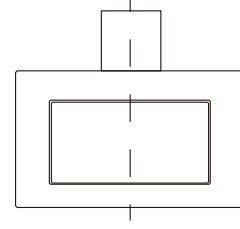
نصائح لتركيب أنبوب العادم

يجب اتباع القواعد التالية بشكل صارم للحصول إلى أفضل إخراج للهواء:

- احتفظ بأنبوب العادم قصيرًا ومستقيمًا
- لا تقلل حجم أنبوب العادم أو تُقَيِّده
- عند استخدام الأنبوب المرن، قم دومًا بتركيب الأنبوب في وضع مشدود لتقليل فقدان الضغط.
- يمكن أن تؤدي عدم مراعاة هذه التعليمات الأساسية إلى تدهور الأداء وزيادة مستويات الضوضاء الصادرة عن مدخنة موقد الطهي.
- يجب تنفيذ كافة أعمال التركيب بواسطة شخص كفء أو كهربائي مؤهل.
- لا تُوصل نظام الأنبوب الخاص بالمدخنة بأي نظام تهوية قائم يُستخدم حاليًا لأجهزة أخرى، مثل أنبوب المدفئة، أو أنبوب الغاز، أو أنبوب الهواء الساخن.
- يجب ألا تكون زاوية انحناء أنبوب التهوية أقل من 120 درجة، ويجب عليك توجيه الأنبوب بشكل أفقي، وإلا، فيجب توجيه الأنبوب للأعلى من النقطة الأولية إلى حائط خارجي.
- بعد التركيب، تأكد أن مدخنة موقد الطهي مستوية لتجنب تجمع الشحم على أحد الطرفين.



خطأ



صحيح

تأكد من توافق أنبوب العادم المحدد للتركيب مع المعايير ذات الصلة وأنه معيق للحريق.

- لدواعي السلامة، الرجاء استخدام فقط نفس حجم برغي التثبيت أو التركيب الموصى به في دليل التعليمات الحالي.
- قد يؤدي الإخفاق في تركيب البراغي أو جهاز التثبيت وفقًا لهذه التعليمات إلى مخاطر كهربائية.

تحذير:



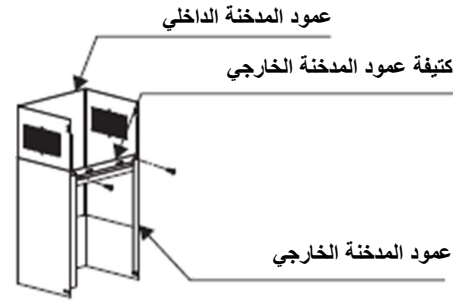
6. ركب الجزء الخارجي من كتيفة عمود المدخنة على الجزء الخارجي للمدخنة باستخدام برغيين ذاتيي الثقب 4×8 مم، وتأكد هنا من إمكانية ميل عمود المدخنة الداخلية بحرية. انظر الصورة 5.
7. تثبت مدخنة موقد الطهي بواسطة برغيي سلامة ذاتيي الثقب 4×30 مم. ملاحظة: توجد فتحتا السلامة على المبيت الخلفي، بقطر 6 مم. ضع عمودي المدخنة فوق مدخنة موقد الطهي، وثبت عمود المدخنة الخارجي على الحائط باستخدام برغيين ذاتيي الثقب 4×40 مم وقم بتوجيه ماسورة التوسيع إلى الخارج. انظر الصورة 6.
8. اضبط ارتفاع كتيفة عمود المدخنة الداخلي على موضع كتيفة عمود المدخنة الداخلي وثبتها بواسطة برغيين ذاتيي الثقب 4×8 مم. تثبت عمود المدخنة الخارجي على هيكل المدخنة بواسطة برغيين ذاتيي الثقب 4×8 مم. انظر الصورة 7.



صورة 7.



صورة 6.



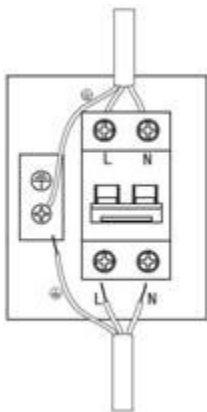
صورة 5.

التوصيلات الكهربائية

يجب تنفيذ كافة أعمال التركيب بواسطة شخص كفاء أو كهربائي مؤهل. قبل توصيل الوحدة بمصدر الطاقة الرئيسي، تأكد من توافق جهد التيار الكهربائي مع الجهد المبين على لوحة التصنيف.

التوصيل المباشر

يجب توصيل الجهاز بمصدر التغذية الكهربائية مباشرة باستخدام قاطع دائرة متعدد الأقطاب بفتحة بين الملامسات قدرها 3 مم على الأقل.



يجب أن يضمن القائم بالتركيب أنه تم عمل التوصيلات الكهربائية الصحيحة وأنها تتوافق مع مخطط توصيلات الأسلاك.

يجب عدم ثني الكابل أو الضغط عليه.

افحص مأخذ التيار الكهربائي وسلك التيار الكهربائي بشكل منتظم للتأكد من خلوها من أوجه التلف. إذا تعرض كابل التغذية للتلف، فيتحتّم استبداله بسلك أو مجموعة خاصة يوفرها المصنّع أو وكيل خدماته.

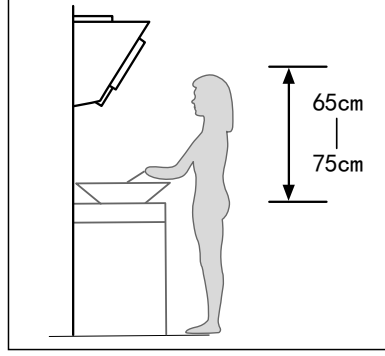
تحذير: هذا جهاز من الفئة I ويجب تأريضه

هذا الجهاز مزود بكابل تيار كهربائي ذي 3 محاور تتخذ الألوان التالية:

البنّي = L أو مكهرب

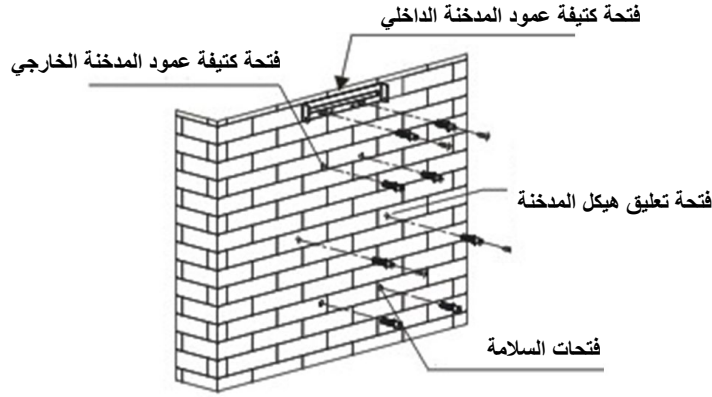
الأزرق = N أو محايد

الأخضر والأصفر = E أو أرضي



صورة. 1

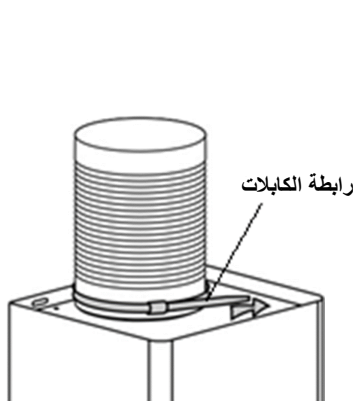
3. بعد تحديد ارتفاع مدخنة موقد الطهي، قم بقياس موضع الفتحات الخاصة بتعليق المدخنة، داخل كتيفة عمود المدخنة وخارج كتيفة عمود المدخنة وفتحات السلامة. احفر 8 فتحات وأدخل سدادات الحائط إلى داخل الفتحات. ثبت كتيفة عمود المدخنة الداخلي على الحائط باستخدام برغيين ذاتيي الثقب 4×40 مم. اربط برغيين ذاتيي الثقب 4×8 مم في الفتحة لتعليق هيكل المدخنة ويجب أن تترك البراغي المثبتة مسافة 3-5 مم بعيدًا عن الحائط لتعليق المدخنة. ويعتبر الموضع الثابت لكتيفة عمود المدخنة الداخلي هو أعلى نقطة للمدخنة. انظر الصورة 2.



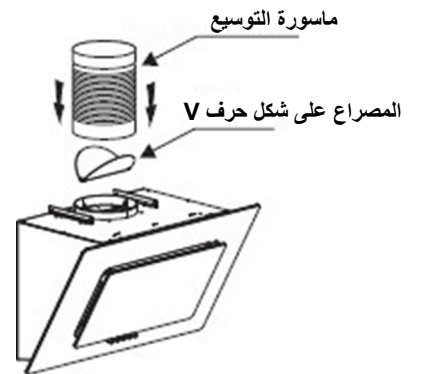
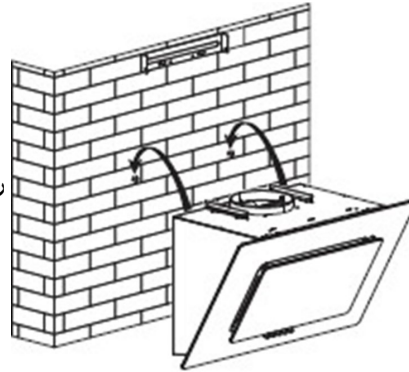
صورة. 2

4. قم بتركيب المصراع على شكل حرف V (غير مرفق) وماسورة التوسيع (غير مرفقة) فوق مدخنة موقد الطهي. قم بتهيئة ماسورة التوسيع على المخرج بواسطة رابطة كابلات. الرجاء ملاحظة ما يلي: لا يتضمن المنتج ماسورة التوسيع والمصراع على شكل حرف V. انظر الصورة 3.

5. علق مدخنة الموقد على الخفاف. انظر الصورة 4.



صورة. 4



صورة. 3

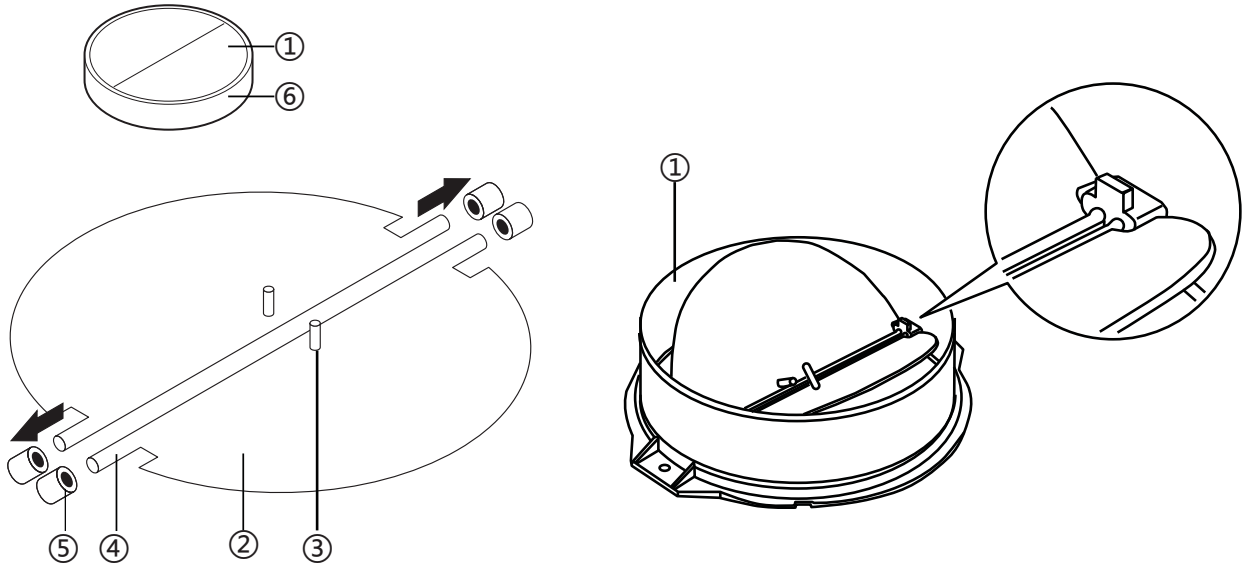
التركيب (التهوية الخارجية)

تركيب المصراع على شكل حرف V

إذا لم تكن مدخنة موقد الطهي تحتوي على مصراع على شكل حرف V 1 مُجمع، فيجب عليك تركيب أنصاف الأجزاء في هيكله. توضح الصور فقط مثلاً على كيفية تركيب المصراع على شكل حرف V، نظراً لإمكانية اختلاف المخرج طبقاً للطرازات والتكوينات المختلفة.

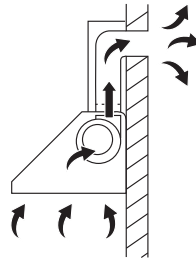
لتركيب المصراع على شكل حرف V يجب القيام بما يلي:

- قم بتركيب أنصاف الأجزاء 2 في الهيكل 6
- يجب توجيه السن 3 لأعلى؛
- يجب إدخال المحور 4 في الفتحات الـ 5 في الهيكل؛
- كرر جميع العمليات مع نصف الجزء الثاني.



التركيب

إذا كان لديك مخرج إلى الخارج، فيمكن توصيل مدخنة موقد الطهي كما في الصورة التالية باستخدام أنبوب إخراج (مصنوع من الإينامل أو الألمونيوم أو أنبوب مرن أو مادة غير قابلة للاشتعال بقطر داخلي 150 مم)



1. قبل التركيب، أوقف تشغيل الوحدة.
2. يجب وضع مدخنة موقد الطهي على مسافة 65~75 سم فوق سطح الطهي لتحقيق أفضل أداء.

أمور مستحبة:

- احرص دائماً على وضع أغطية على الأواني عند الطهي على موقد الغاز.
- في وضع الإخراج، تجري إزالة الهواء من الغرفة عن طريق مدخنة موقد الطهي. الرجاء التأكد من اتباع إجراءات التهوية الصحيحة. تعمل مدخنة موقد الطهي على إزالة الروائح من الغرفة وليس البخار.
- تُخصص مدخنة موقد الطهي للاستخدام المنزلي فقط.



- إذا تعرض كابل التغذية للتلف، يتحتم استبداله بمعرفة المُصنِّع، أو وكيل خدماته أو بمعرفة فنيين مؤهلين وذلك تفادياً لأي مخاطر.
- يمكن استخدام هذا الجهاز من جانب الأطفال من سن 8 سنوات فما أكبر ومن جانب الأشخاص من ذوي القدرات البدنية أو الحسية أو العقلية المحدودة أو الأشخاص عديمي الخبرة والمعرفة، وذلك في حالة الإشراف عليهم أو إعطائهم التعليمات بشأن استخدام الجهاز بطريقة آمنة وفهم المخاطر المتعلقة به. يجب ألا يعيثر الأطفال بالجهاز. يُحظر على الأطفال تنظيف أو صيانة هذا الجهاز إلا تحت إشراف.



أمور مستحبة:

- تنبيه: قد يصبح هذا الجهاز ومكوناته الملموسة ساخنة للغاية أثناء تشغيله. توخ الحذر لتفادي لمس العناصر الساخنة. يجب أن يبقى الأطفال أقل من 8 سنوات بعيدين إلا في حالة الإشراف الدائم عليهم.
- ينبغي وجود تهوية كافية في الغرفة عند استخدام مدخنة الموقد في نفس وقت تشغيل الجهاز الذي يحرق الغاز أو وقود آخر؛
- ثمة خطر نشوب حريق إذا لم يتم إجراء التنظيف وفقاً للتعليمات.
- يجب استيفاء القواعد المتعلقة بتصريف الهواء.
- احرص على تنظيف جهازك بصفة دورية باتباع الطريقة الموضحة في قسم الصيانة.
- لدواعي السلامة، الرجاء استخدام فقط نفس حجم برغي التثبيت أو التركيب الموصى به في دليل الإرشادات الحالي.
- فيما يتعلق بالتفاصيل الخاصة بطريقة التنظيف وتكراره، الرجاء الرجوع إلى قسم الصيانة والتنظيف في دليل الإرشادات.
- يحظر على الأطفال إجراء تنظيف أو صيانة لهذا الجهاز إلا تحت إشراف الكبار.
- في حالة تشغيل مدخنة موقد الطهي وأجهزة أخرى يجري تزويدها بطاقة بخلاف الكهرباء في آن واحد، فيجب ألا يزيد الضغط السالب في الغرفة عن 4 باسكال (4 × 10-5 بار).
- تحذير: خطر نشوب حريق: لا تخزن أي أجسام على أسطح الطهي.
- يجب عدم استخدام منظف البخار.
- لا تحاول مطلقاً إطفاء الحرائق بالماء، ولكن بادر بإيقاف تشغيل الجهاز ثم غطِّ اللهب، على سبيل المثال: باستخدام غطاء أو بطانية الحريق.

تعليمات السلامة

يوضح هذا الدليل التركيب الصحيح والاستخدام لمدخنة موقد الطهي، الرجاء قراءته بعناية قبل الاستخدام حتى لو كنت على دراية بالمنتج. يجب الاحتفاظ بالدليل في مكان آمن للرجوع إليه في المستقبل.

أمور محظورة:

- لا تحاول استخدام مدخنة موقد الطهي بدون مرشحات الدهون أو في حالة امتلاء المرشحات بالدهون بشكل مفرط!
- لا تركب فوق موقد طهي يتضمن شواية عالية المستوى.
- لا تترك أوعية القلي بدون مراقبة أثناء الاستخدام نظرًا لأن النيران قد تنشب في الدهون أو الزيوت المسخنة بشكل مفرط.
- لا تترك مطلقًا لهبًا مكشوفًا تحت مدخنة موقد الطهي.



- في حالة تلف مدخنة موقد الطهي، فلا تحاول استخدامها.
- لا تشعل نارًا أسفل مدخنة موقد الطهي.
- تنبيه: قد تصبح الأجزاء سهلة الوصول ساخنة عند الاستخدام مع أجهزة الطهي.
- أدنى مسافة بين سطح الدعم لأوعية الطهي على سطح الموقد والجزء السفلي لمدخنة موقد الطهي. (في حالة تركيب مدخنة موقد الطهي فوق جهاز موقد غاز، فيجب أن تكون المسافة على الأقل 65 سم)
- يجب عدم تفريغ الهواء إلى أنبوب مدخنة تمر به أبخرة عادم من أجهزة تعمل بحرق الغاز أو وقود آخر.



أمور مستحبة:

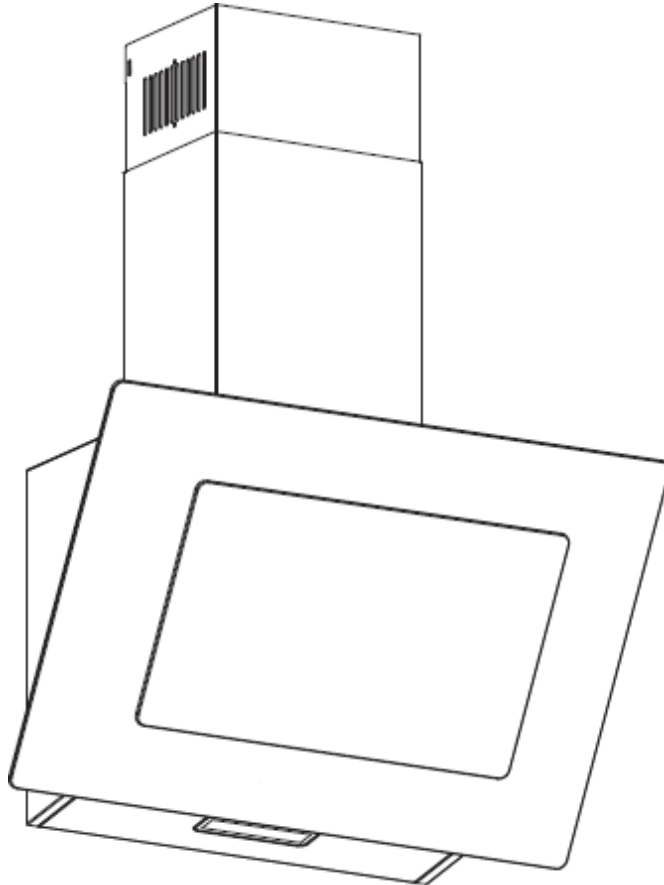
- مهم! احرص دائمًا على إيقاف مصدر التيار الكهربائي من السلك الرئيسي أثناء التركيب والصيانة، على سبيل المثال عند استبدال مصباح الإضاءة.
- يجب تركيب مدخنة موقد الطهي وفقًا لتعليمات التركيب واتباع جميع القياسات.
- ويجب تنفيذ كافة أعمال التركيب بواسطة شخص كفء أو كهربائي مؤهل.
- يرجى التخلص من مواد التغليف بعناية. فقد تشكل مخاطر على الأطفال.
- انتبه للحواف الحادة داخل مدخنة موقد الطهي خاصة أثناء التركيب والتنظيف.
- تأكد من عدم وجود انحناءات في الأنبوب تزيد عن 90 درجة؛ نظرًا لأن ذلك يقلل من كفاءة مدخنة موقد الطهي.
- تحذير: قد يؤدي الإخفاق في تركيب البراغي أو جهاز التثبيت وفقًا لهذه التعليمات إلى مخاطر كهربائية.
- تحذير: قبل الوصول إلى الأطراف، يجب فصل جميع دوائر تغذية الطاقة.

المحتويات

1. تعليمات السلامة.....	4
2. التركيب.....	6
3. بدء استخدام مدخنة موقد الطهي.....	10
4. إصلاح الأعطال.....	10
5. الصيانة والتنظيف.....	11
6. حماية البيئة.....	14

CDG6CBG

دليل إرشادات مدخنة موقد الطهي



CDG6CBG

مدخنة موقد الطهي

Digestor

2

دليل الإرشادات

AR