

FMW 20 SMP G XS

FSL 20 MW XS

FSL 20 MW BK

EN Installation and user manual

TR Kurulum ve servis kılavuzu

ES Manual de instalación y servicio

FR Manuel d'installation et mode d'emploi

IT Manuale per l'installazione e l'uso

PT Manual de instalação e de assistência

DE Installations- und Gebrauchsanweisung

EL Εγκατάσταση και εγχειρίδιο συντήρησης

CS Montážní a servisní návod

PL Instrukcja montażu i obsługi

SK Návod na inštaláciu a obsluhu

RO Manual de instalare și service

UA Посібник зі встановлення та обслуговування

RU Руководство по установке и обслуживанию

AR دليل الخدمة والتركيب

Microwave oven

Mikrodalga fırın

Horno microondas

Four Micro-ondes

Forno a microonde

Forno micro-ondas

Mikrowellengerät

Φούρνος μικροκυμάτων

Mikrovlnná trouba

Kuchenka mikrofalowa

Mikrovlnná rúra

Cuptor cu microunde

Мікровхвильова піч

Микроволновая печь

فرن المايكرويف

**FRANKE**





## SAFETY INFORMATION

Read the user manual and the safety information carefully before using the oven.

Keep the manual for future reference.

The manufacturer can not be made liable for possible damage which may occur due to incorrect installation and incorrect, improper or unreasonable use of the device.

The electrical safety of the oven is guaranteed only when it is connected to an earthing system in compliance with the valid regulations.

To ensure safe and efficient operation of this electrical device:

- Only contact authorized service centres.
- Do not modify any features of the device.

This appliance can be used by children aged from 8 years and above and persons with reduced physical, sensory or mental capabilities or lack of experience and knowledge if they have been given supervision or instruction concerning use of the appliance in a safe way and understand the hazards involved. Children shall not play with the appliance. Cleaning and user maintenance shall not be made by children without supervision.

This device is not a toy.

Do not leave children near the device unattended.

Do not allow children to touch the device or its controls during and immediately after using it.

**CAUTION:** In order to avoid a hazard due to inadvertent resetting of the thermal cut-out, this appliance must not be supplied through an external switching device, such as a timer, or connected to a circuit that is regularly switched on and off by the utility.

Ensure that the device is installed in a way that allows to disconnect it from the power supply, with a contact opening distance that ensures complete disconnection in category III overvoltage conditions. Means for disconnection must be incorporated in the fixed wiring in accordance with the wiring rules.

Only use the temperature probe recommended for this oven.

The appliance shall not be installed behind a decorative door in order to avoid overheating.

**WARNING:** Risk of burns!

During use the appliance becomes hot. Care should be taken to avoid touching heating elements inside the oven. Children less than 8 years of age shall be kept away unless continuously supervised.

**Risk of burns!**

The end of the door handle may be hotter due to hot air being vented.

Always make sure that the control knobs are in the off position when the oven is not in use.

**WARNING:** Ensure that the appliance is switched off before replacing the lamp to avoid the possibility of electric shock.

Do not use harsh abrasive cleaners or sharp metal scrapers to clean the oven door glass/ the glass of hinged lids of the hob (as appropriate), since they can scratch the surface, which may result in shattering of the glass.

Do not use steam cleaners or direct jets of water.

If the supply cord is damaged, it must be replaced by the manufacturer, its service agent or similarly qualified persons in order to avoid a hazard.

Warning: Liquids and other foods must not be heated in sealed containers since they are liable to explode.

Warning: It is hazardous for anyone other than a competent person to carry out any service or repair operation that involves the removal of a cover which gives protection against exposure to microwave energy.

Keep the appliance and its cord out of reach of children less than 8 years.

Only use utensils that are suitable for use in microwave

The oven should be cleaned regularly and any food deposits should be removed.

When heating food in plastic or paper containers keep an eye on the oven due to the possibility of ignition.

If smoke is emitted, switch off or unplug the appliance and keep the door closed in order to stifle any flames.

Eggs in the shell and whole hard-boiled eggs should not be heated in microwave ovens since they may explode, even after microwave heating has ended.

This appliance is intended to be used in household and similar applications such as:

- staff kitchen areas in shops, offices and other working environments;
- by clients in hotels, motels and other residential type environments;
- farm houses;
- bed and breakfast type environments.

If the supply cord is damaged, it must be replaced by the manufacturer, its service agent or similarly qualified persons in order to avoid a hazard.

Failure to maintain the oven in a clean condition could lead to deterioration of the surface that could adversely affect the life of the appliance and possibly result in a hazardous situation.

The contents of feeding bottles and baby food jars shall be stirred or shaken and the temperature checked before consumption, in order to avoid burns.

Microwave heating of beverages can result in delayed eruptive boiling, therefore care must be taken when handling the container.

The microwave oven must be operated with the decorative door open.

The microwave oven is intended for heating food and beverages. Drying of food or clothing and heating of warming pads, slippers, sponges, damp cloth and similar may lead to risk of injury, ignition or fire.

**WARNING:** If the door seals are the oven must not be operated until it has been repaired by a trained person.

This appliance is only intended for domestic use.

This oven is intended for built-in use only. It is not intended for counter-top use or for use inside a cupboard.

# To Reduce the Risk of Injury to Persons Grounding Installation

## **DANGER**

Electric Shock Hazard  
Touching some of the internal components can cause serious personal injury or death. Do not disassemble this appliance.

## **WARNING**

Electric Shock Hazard Improper use of the grounding can result in electric shock. Do not plug into an outlet until appliance is properly installed and grounded.

This appliance must be grounded. In the event of an electrical short circuit, grounding reduces the risk of electric shock by providing an escape wire for the electric current. This appliance is equipped with a cord having a grounding wire with a grounding plug. The plug must be plugged into an outlet that is properly installed and grounded.

Consult a qualified electrician or serviceman if the grounding instructions are not completely understood or if doubt exists as to whether the appliance is properly grounded. If it is necessary to use an extension cord, use only a 3-wire extension cord.

1. A short power-supply cord is provided to reduce the risks resulting from becoming entangled in or tripping over a longer cord.
2. If a long cord set or extension cord is used:
  - 1)The marked electrical rating of the cord set or extension cord should be at least as great as the electrical rating of the appliance.
  - 2)The extension cord must be a grounding-type 3-wire cord.
  - 3)The long cord should be arranged so that it will not drape over the counter top or tabletop where it can be pulled on by children or tripped over unintentionally.



- Do not overcook food.
- Do not use the oven cavity for storage purposes.
- Do not store items, such as bread, cookies, etc. inside the oven.
- Remove wire twist-ties and metal handles from paper or plastic containers/bags before placing them in the oven.
- Install or locate this oven only in accordance with the installation instructions provided

Do not store or use this appliance outdoors.

- Do not use this oven near water, in a wet basement or near a swimming pool.
- The temperature of accessible surfaces may be high when the appliance is operating.
- The surfaces are liable to get hot during use.
- Keep cord away from heated surface, and do not cover any vents on the oven.
- Do not let cord hang over edge of table or counter .

-- Do not attempt to operate this oven with the door open since this can result in harmful exposure to microwave energy. It is important not to break or tamper with the safety interlocks.

-- Do not place any object between the oven front face and the door or allow soil or cleaner residue to accumulate on sealing surfaces.

## CLEANING

Be sure to unplug the appliance from the power supply.

1. Clean the cavity of the oven after using with a slightly damp cloth.
2. Clean the accessories in the usual way in soapy water.
3. The door frame and seal and neighbouring parts must be cleaned carefully with a damp cloth when they are dirty.
4. Do not use harsh abrasive cleaners or sharp metal scrapers to clean the oven door glass since they can scratch the surface, which may result in shattering of the glass.
5. **Cleaning Tip**---For easier cleaning of the cavity walls that the food cooked can touch: Place half a lemon in a bowl, add 300ml (1/2 pint) water and heat on 100% microwave power for 10 minutes. Wipe the oven clean using a soft, dry cloth.

## UTENSILS

### CAUTION

#### **Personal Injury Hazard**

It is hazardous for anyone other than a competent person to carry out any service or repair operation that involves the removal of a cover which gives protection against exposure to microwave energy.

See the instructions on "Materials you can use in microwave oven or to be avoided in microwave oven." There may be certain non-metallic utensils that are not safe to use for microwaving. If in doubt, you can test the utensil in question following the procedure below.

Utensil Test:

1. Fill a microwave-safe container with 1 cup of cold water (250ml) along with the utensil in question.
2. Cook on maximum power for 1 minute.
3. Carefully feel the utensil. If the empty utensil is warm, do not use it for microwave cooking.
4. Do not exceed 1 minute cooking time.

## Materials you can use in microwave oven function

Utensils	Remarks
Browning dish	Follow manufacturer's instructions. The bottom of browning dish must be at least 3/16 inch (5mm) above the turntable. Incorrect usage may cause the turntable to break.
Dinnerware	Microwave-safe only. Follow manufacturer's instructions. Do not use cracked or chipped dishes.
Glass jars	Always remove lid. Use only to heat food until just warm. Most glass jars are not heat resistant and may break.
Glassware	Heat-resistant oven glassware only. Make sure there is no metallic trim. Do not use cracked or chipped dishes.
Oven cooking bags	Follow manufacturer's instructions. Do not close with metal tie. Make slits to allow steam to escape.
Paper plates and cups	Use for short-term cooking/warming only. Do not leave oven unattended while cooking.
Paper towels	Use to cover food for reheating and absorbing fat. Use with supervision for a short-term cooking only.
Parchment paper	Use as a cover to prevent splattering or a wrap for steaming.
Plastic	Microwave-safe only. Follow the manufacturer's instructions. Should be labeled "Microwave Safe". Some plastic containers soften, as the food inside gets hot. "Boiling bags" and tightly closed plastic bags should be slit, pierced or vented as directed by package.
Plastic wrap	Microwave-safe only. Use to cover food during cooking to retain moisture. Do not allow plastic wrap to touch food.
Thermometers	Microwave-safe only (meat and candy thermometers).
Wax paper	Use as a cover to prevent splattering and retain moisture.

## Materials to be avoided in microwave oven function

Utensils	Remarks
Aluminum tray	May cause arcing. Transfer food into microwave-safe dish.
Food carton with metal handle	May cause arcing. Transfer food into microwave-safe dish.
Metal or metal-trimmed utensils	Metal shields the food from microwave energy. Metal trim may cause arcing.
Metal twist ties	May cause arcing and could cause a fire in the oven.
Paper bags	May cause a fire in the oven.
Plastic foam	Plastic foam may melt or contaminate the liquid inside when exposed to high temperature.
Wood	Wood will dry out when used in the microwave oven and may split or crack.

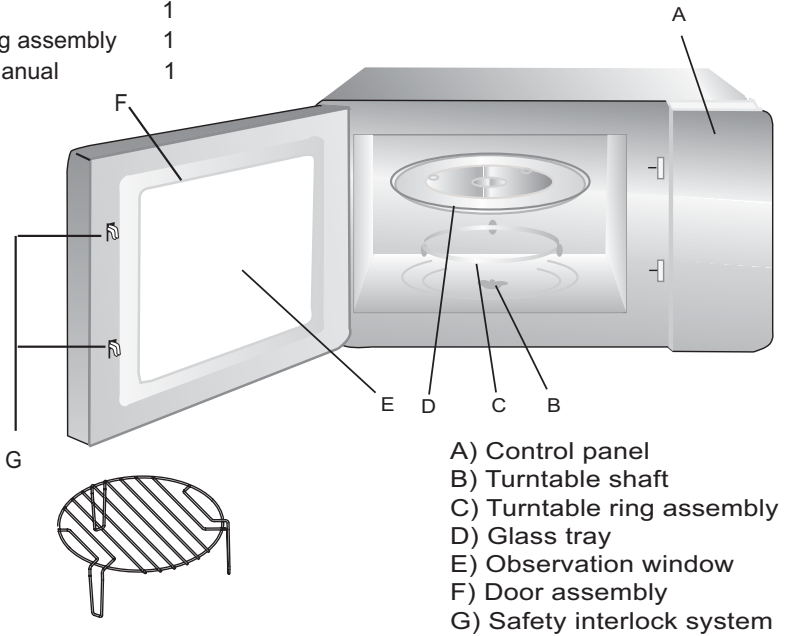
# OVERVIEW

## Names of Oven Parts and Accessories

Remove the oven and all materials from the carton and oven cavity.

Your oven comes with the following accessories:

Glass tray	1
Turntable ring assembly	1
Instruction Manual	1



Grill Rack( Only be used in grill function  
and be placed on the glass tray )

## Turntable Installation

Hub (underside)

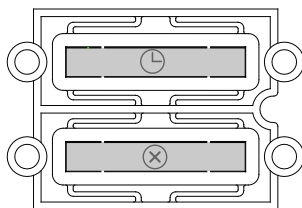
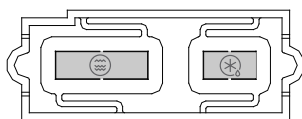
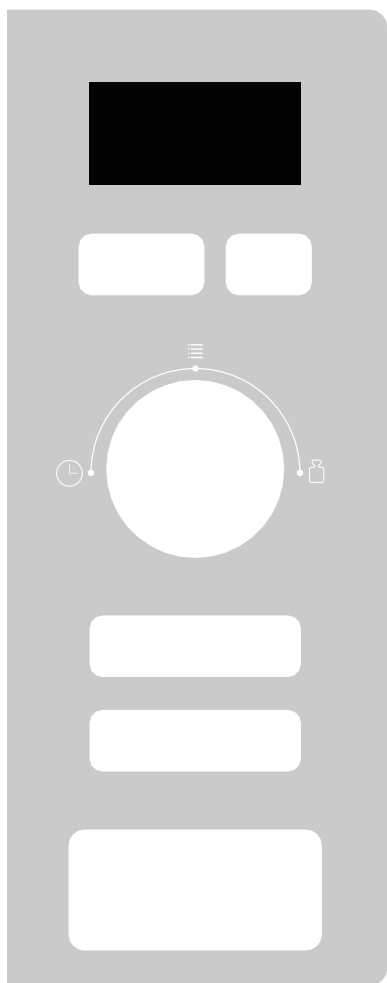
Glass tray

Turntable shaft

Turntable ring assembly

- Never place the glass tray upside down. The glass tray should never be restricted.
- Both glass tray and turntable ring assembly must always be used during cooking.
- All food and containers of food are always placed on the glass tray for cooking.
- If glass tray or turntable ring assembly cracks or breaks, contact your nearest authorized service center.

# Control Panel



## Instruction:

	Micro./ Grill/Combi.		Weight/Time Defrost
	KitchenTimer/ Clock		Stop/Clear
	Start/ +30Sec./Confirm		Auto Menu
	Time		Weight

# INSTALLATION

- 1.The appliance can be installed in a 60cm wide wall-mounted cupboard.
- 2.The appliance is supplied with a power cable and a Schuko plug or a three-pole power cable with free terminals.
- 3.The appliance must only be connected to a properly installed earthed socket.
- 4.The mains voltage must correspond to the voltage specified on the rating plate.
- 5.The socket must be installed and connecting cable must only be replaced by a qualified electrician. If the plug is no longer to accessible following installation, an all-pole disconnecting device must be present on the installation side with a contact gap of at least 3mm.
- 6.Adapters, multi-way strips and extension leads must not be used. Overloading can result in a risk of fire.

**The accessible surface may be hot during operation.**



# Installation Instructions

Please Read the Manual Carefully Before Installation

## Please note

### Electricalconnection

The fitted cabinet must not have a back wall behind the appliance.  
A gap must be maintained between the wall and the base of the unit above.  
Specific gap size could be referenced by the diagrams.  
Minimum installation height:85 cm.

Do not cover ventilation slots and suction holes.

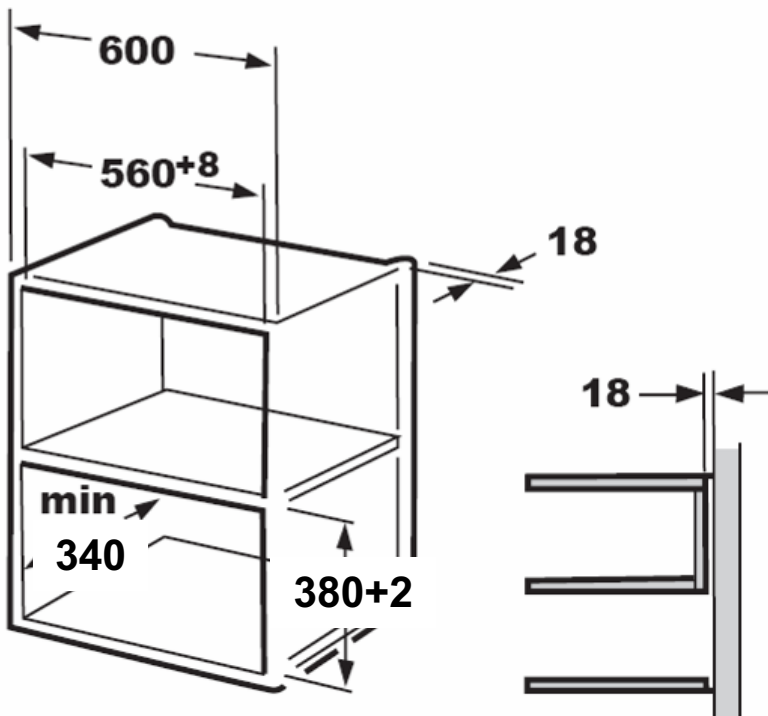
### Note:

Do not trap or bend the power cable.

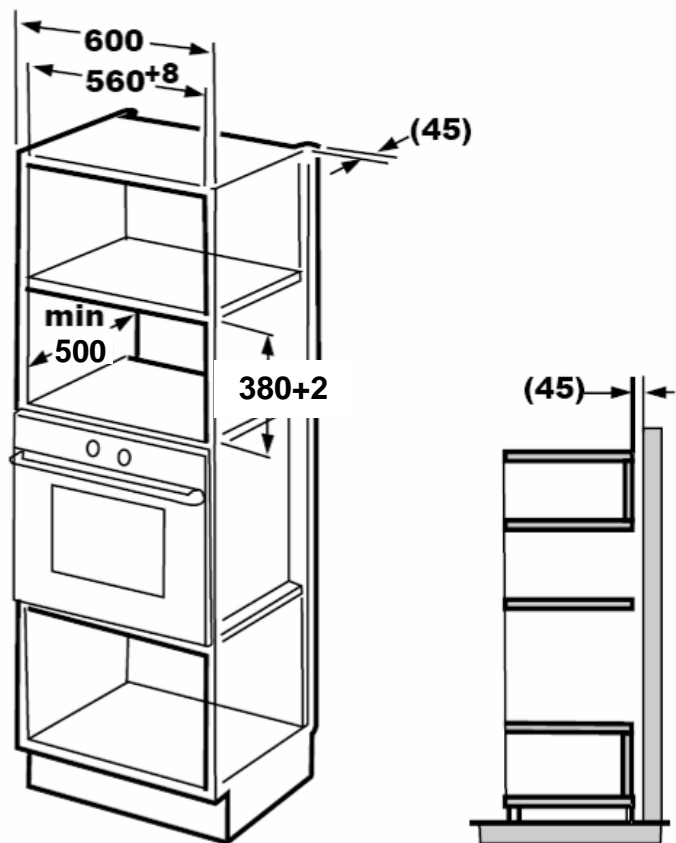
Don't use under the work surface and that it must not be subject to spillage from containers onto surfaces under which the appliance is installed.

## A.Cabinet Requirements

1.



2.



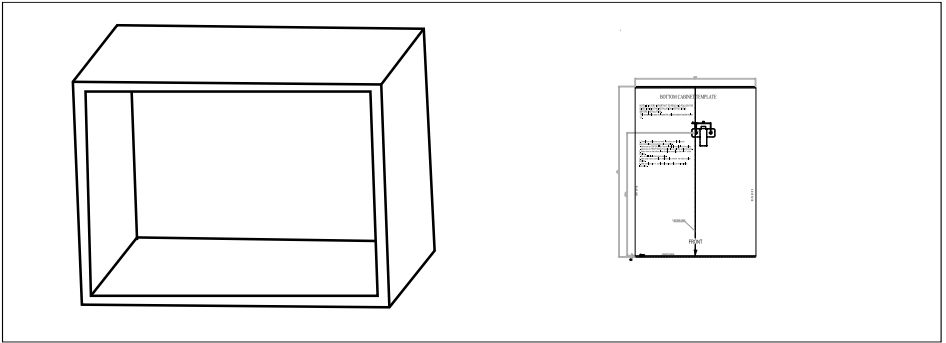
Note:

The bracket and bottom cabinet template are needed when installing in both installations.

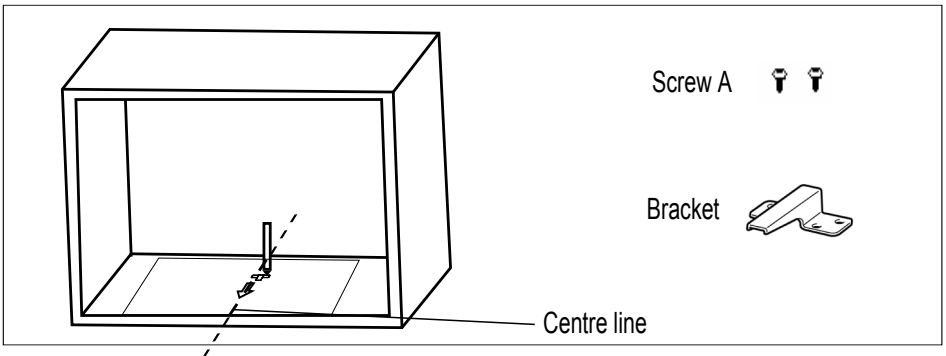


## B.Prepare the cabinet

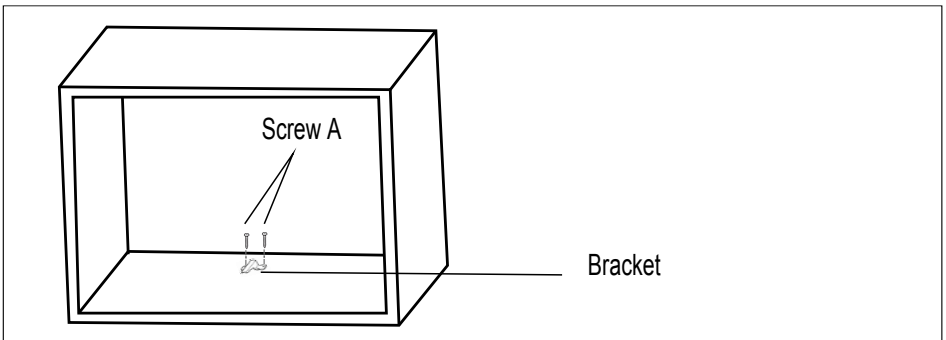
1. Read the instruction on the **BOTTOM CABINET TEMPLATE** , put the template on the cabinet bottom.



2. Make the marks on the cabinet bottom according to marks "a" of the template



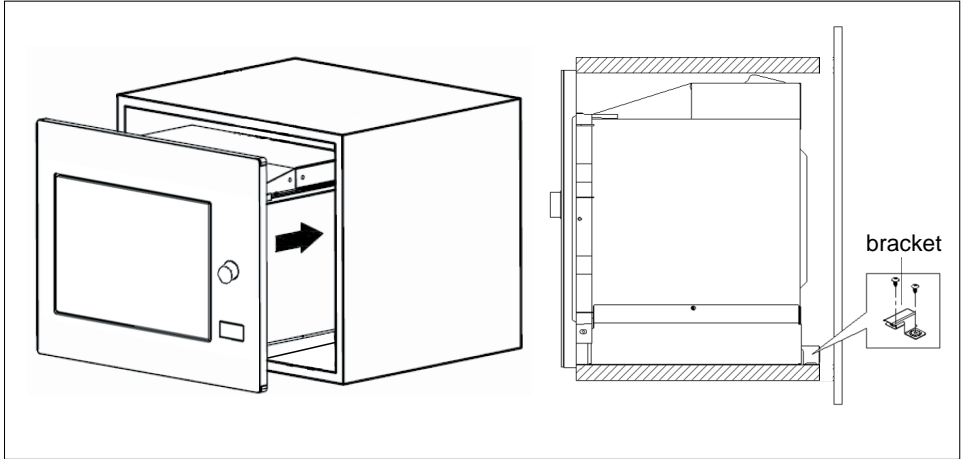
3. Remove the bottom cabinet template and fix the bracket with screw A.



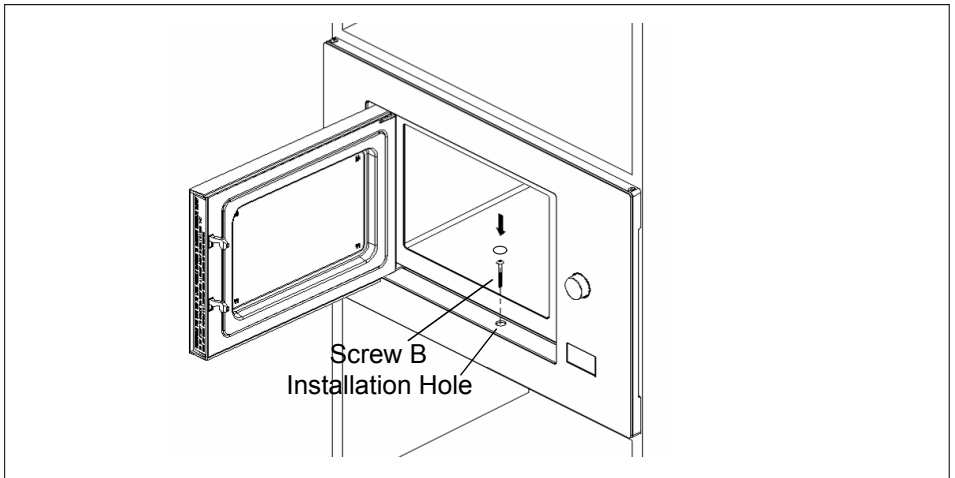
## C. Install the oven

### 4. Install the oven to the cabinet

- Make sure the back of the oven is locked by bracket.
- Do not trap or kink the power cord.



5. Open the door, fix the oven to the cabinet with Screw B, at the installation hole. Then fix the Trim-kit plastic cover to the installation hole.




# OPERATION

## 1. Clock Setting

When the microwave oven is electrified, the screen will display "0:00", buzzer will ring once.

1) Press " **Kitchen Timer/Clock** " twice to select clock function, the hour figures will flash.

---

2) Turn "  " to adjust the hour figures, the input time should be within 0--23.

---

3) Press " **Kitchen Timer/Clock** ", the minute figures will flash.

---

4) Turn "  " to adjust the minute figures, the input time should be within 0--59.



---

5) Press " **Kitchen Timer/Clock** " to finish clock setting. ":" will flash, and the time will light.

Note: 1) If the clock is not set, it would not function when powered.

2) During the process of clock setting, if you press " **Stop/Clear** ", the oven will go back to the previous status automatically.


## 2. Microwave Cooking

Press " **Micro./Grill/Combi.** " once, the screen will display "P100". Press " **Micro./Grill/Combi.** " repeatedly or turn "  " to choose the power you want, and "P100", "P 80", "P 50", "P 30" , "P 10", "G" , "C-1" or "C-2" will display for each added press. Then press " **Start/+30Sec./Confirm** " to confirm, and turn "  " to set cooking time from 0:05 to 95:00. Press " **Start/+30Sec./Confirm** " again to start cooking.

Example: If you want to use 80% microwave power to cook for 20 minutes, you can operate the oven as the following steps.

1) Press " **Micro./Grill/Combi.** " once, the screen displays "P100".


---

2) Press " **Micro./Grill/Combi.** " once again or turn "  " to choose 80% microwave power.

---

3) Press " **Start/+30Sec./Confirm** " to confirm, and the screen displays "P 80".

---

4) Turn "  " to adjust the cooking time until the oven displays "20:00".

---

5) Press " **Start/+30Sec./Confirm** " to start cooking .



Note: the step quantities for the adjustment time of the coding switch are as follow:

- 0---1 min : 5 seconds
- 1---5 min : 10 seconds
- 5---10 min : 30 seconds
- 10---30 min : 1 minute
- 30---95 min : 5 minutes

"Micro./Grill/Combi." Pad instructions

Order	Display	Microwave Power	Grill Power
1	P100	100%	
2	P 80	80%	
3	P 50	50%	
4	P 30	30%	
5	P 10	10%	
6	G	0%	100%
7	C-1	55%	45%
8	C-2	36%	64%


### 3. Grill or Combi. Cooking

Press " **Micro./Grill/Combi.** " once, the screen will display "P100", and press " **Micro./Grill/Combi.** " repeatedly or turn the  to choose the power you want, and "P100", "P 80", "P 50", "P 30" , "P 10", "G" , "C-1" or "C-2" will display for each added press. Then press " **Start/+30Sec./Confirm** " to confirm, and turn  to set cooking time from 0:05 to 95:00 Press " **Start/+30Sec./Confirm** " again to start cooking.

Example: If you want to use 55% microwave power and 45% grill power(C-1) to cook for 10 minutes, you can operate the oven as the following steps.

- 1) Press " **Micro./Grill/Combi.** " once, the screen displays "P100".


---

- 2) Press " **Micro./Grill/Combi.** " for times or turn  to choose combi. 1 mode.

---

- 3) Press " **Start/+30Sec./Confirm** " to confirm, and the screen displays "C-1".

---


- 4) Turn  to adjust the cooking time until the oven displays "10:00".

---

- 5) Press " **Start/+30Sec./Confirm** " to start cooking.

Note: If half the grill time passes, the oven sounds twice, and this is normal. In order to have a better effect of grilling food, you should turn the food over, close the door, and then press " **Start/+30Sec./Confirm** " to continue cooking. If no operation, the oven will continue working.


#### 4. Quick Start

- 1) In waiting state, Press " **Start/+30Sec./Confirm** " to start 30 seconds cooking with 100% power, each added press will increase 30 seconds cooking time up to 95 minutes.
- 2) In microwave, grill, combination cooking or time defrost state, each press of " **Start/+30Sec./Confirm** " can increase 30 seconds of cooking time.
- 3) In waiting state, turn "  " left to set cooking time with 100% microwave power. After choosing the cooking time, press " **Start/+30Sec./Confirm** " to start cooking.

#### 5. Defrost By Weight

- 1) Press " **Weight/Time Defrost** " once, and the oven will display "dEF1".

---

- 2) Turn "  " to select the weight of food from 100 to 2000 g.


---

- 3) Press " **Start/+30Sec./Confirm** " to start defrosting.

#### 6. Defrost By Time

- 1) Press " **Weight/Time Defrost** " twice, and the oven will display "dEF2".


---

- 2) Turn "  " to select the defrost time. The MAX time is 95 minutes.

---

- 3) Press " **Start/+30Sec./Confirm** " to start defrosting. The defrost power is P 30, and it cannot be changed.


## 7. Kitchen Timer

- (1) Press " **Kitchen Timer/Clock** " once, the screen will display 00:00.
- (2) Turn "  " to enter the correct time. (The maximum cooking time is 95 minutes.)
- (3) Press " **Start/+30Sec./Confirm** " to confirm setting.
- (4) When the kitchen time is reached, the buzzer will ring 5 times.

If the clock has been set (24-hour system), the screen will display the current time.

Note: The kitchen Time is different from 24-hour system. Kitchen Timer is a timer.


## 8. Auto Menu

- 1) Turn "  " right to choose the menu, and "A-1" to "A-8" will display .

---

- 2) Press " **Start/+30Sec./Confirm** " to confirm.


---

- 3) Turn "  " to choose the default weight as the menu chart.

---

- 4) Press " **Start/+30Sec./Confirm** " to start cooking.


Example: If you want to use "Auto Menu" to cook fish for 350g.

- 1) Turn "  " clockwise till "A-6" displays.

---

- 2) Press " **Start/+30Sec./Confirm** " to confirm.

---

- 3) Turn "  " to select the weight of fish till "350" displays.

---

- 4) Press " **Start/+30Sec./Confirm** " to start cooking.

## Cooking Table


Menu	Weight	Display
A-1 Pizza	200 g	200
	400 g	400
A-2 Meat	250 g	250
	350 g	350
	450 g	450
A-3 Vegetable	200 g	200
	300 g	300
	400 g	400
A-4 Pasta	50g(with 450 g cold water)	50
	100g(with 800 g cold water)	100
A-5 Potato	200 g	200
	400 g	400
	600 g	600
A-6 Fish	250 g	250
	350 g	350
	450 g	450
A-7 Beverage	1 cup(120 ml)	1
	2 cups(240 ml)	2
	3 cups(360 ml)	3
A-8 Popcorn	50 g	50
	100 g	100

## 9. Multi-section cooking


At most 2 sections can be set for cooking. In multi-section cooking, if one section is defrosting, then defrosting shall be placed in the first section automatically.

Example: If you want to defrost food for 5 minutes and then cook with 80% microwave power for 7 minutes, operate it as the following:


- 1) Press "**Weight/Time Defrost**" twice, and the oven will display "dEF2".

---
- 2) Turn " " to select the defrost time till "5:00" displays.

---
- 3) Press "**Micro./Grill/Combi.**" once, the screen displays "P100".

---
- 4) Press "**Micro./Grill/Combi.**" once again or turn " " to choose 80% microwave power.

---
- 5) Press "**Start/+30Sec./Confirm**" to confirm, and the screen displays "P 80".


---
- 6) Turn " " to adjust the cooking time till the oven displays "7:00".

---
- 7) Press "**Start/+30Sec./Confirm**" to start cooking, and buzzer will sound once for the first section, defrosting time counts down. Buzzer will sound once again entering the second cooking. When cooking finishes, buzzer sounds five times.

## 10. Inquiring Function

- (1) In states of microwave, grill and combination cooking, press "**Micro./Grill/Combi.**", the current power will be displayed for 3 seconds. After 3 seconds, the oven will turn back to the former state.
- (2) In cooking state, press "**Kitchen Timer/Clock**" to inquire the time and the time will display for 3 seconds.

## 11. Lock-out Function for Children

Lock: In waiting state, press "**Stop/Clear**" for 3 seconds, there will be a long beep denoting entering the children-lock state.  will light and current time will display if the time has been set. Otherwise, the screen will display " [ : : ] ".

Lock quitting: In locked state, press "**Stop/Clear**" for 3 seconds, there will be a long "beep" denoting that the lock is released.



## TROUBLESHOOTING GUIDE

<b>Normal</b>	
Microwave oven interfering TV reception	Radio and TV reception may be interfered when microwave oven operating. It is similar to the interference of small electrical appliances, like mixer, vacuum cleaner, and electric fan. It is normal.
Dim oven light	In low power microwave cooking, oven light may become dim. It is normal.
Steam accumulating on door, hot air out of vents	In cooking, steam may come out of food. Most will get out from vents. But some may accumulate on cool place like oven door. It is normal.
Oven started accidentally with no food in.	It is forbidden to run the unit without any food inside. It is very dangerous.

<b>Trouble</b>	<b>Possible Cause</b>	<b>Remedy</b>
Oven can not be started.	(1) Power cord not plugged in tightly.	Unplug. Then plug again after 10 seconds.
	(2) Fuse blowing or circuit breaker works.	Replace fuse or reset circuit breaker (repaired by professional personnel of our company)
	(3) Trouble with outlet.	Test outlet with other electrical appliances.
Oven does not heat.	(4) Door not closed well.	Close door well.

### DISPOSAL



The symbol on the product or on the packaging indicates that the device must not be disposed of in the domestic waste.

By disposing of the device in a proper way you help to avoid harmful consequences to environment and health.

Further information about recycling the device is available from the competent authority, the local refuse disposal service or the vendor of the device.

Dispose of the device, which is to be discarded, via a specialised waste collection point for electronic and electrical devices.

# CUSTOMER SERVICE

Refer to contact address on our website:[www.franke.com](http://www.franke.com)

## TECHNICAL DATA

Model:	FMW 20 SMP G XS / FSL 20 MW XS / FSL 20 MW BK
Rated Voltage:	230V~50Hz
Rated Input Power(Microwave):	1250W
Rated Output Power(Microwave):	800W
Rated Input Power(Grill):	1000W
Oven Capacity:	20L
Turntable Diameter:	Ø245mm
External Dimensions:	595x343.5x388mm
Net Weight:	Approx. 15kg

## ENERGY CONSUMPTION

Product information for power consumption and maximum time to reach applicable low power mode.

Standby mode	0.8 W
The maximum time needed for the microwave oven to automatically reach the applicable low power mode or condition.	20 minutes

## GUVENLIK BILGILERI

Fırını kullanmadan önce kullanım kılavuzunu ve güvenlik bilgilerini dikkatlice okuyun.

Kılavuzu ileride ihtiyacınız olduğunda bakmak için saklayın.

Ürünün yanlış kurulmasından ve yanlış, uygunsuz veya makul olmayan bir biçimde kullanılmasından kaynaklanabilecek olası hasarlardan üretici sorumlu tutulamaz.

Fırının elektrik güvenliği ancak fırın geçerli düzenlemelere uygun bir topraklama sistemine bağlandığı takdirde garanti edilmektedir.

Bu elektrikli aygıtın güvenli ve etkili bir şekilde çalışmasını sağlamak için:

- Sadece yetkili servis merkezleriyle irtibata geçin.
- Ürünün hiçbir özelliğini modifiye etmeyin.

Bu cihaz, 8 yaş üzeri çocuklar ve fiziksel, duyuşsal veya zihinsel kapasitesi kısıtlı olan ya da bilgi ve deneyimi olmayan kişiler tarafından, yalnızca cihazın güvenli bir şekilde kullanımı konusunda söz konusu kişilere yönlendirme ve gözetim sağlandıktan ve olası tehlikeler söz konusu kişiler tarafından anlaşıldıktan sonra kullanılabilir. Çocuklar cihazla oynamamalıdır.

Temizlik ve bakım işlemleri bir yetişkinin gözetimi altında olmayan çocuklar tarafından yapılmamalıdır. Ürün oyuncak değildir.

Çocukların yanlarında bir yetişkin olmadan ürünün yanına yaklaşmalarına izin vermeyin.

Ürün kullanılırken veya kullanıldıktan hemen sonra çocukların ürüne veya kontrollerine dokunmasına izin vermeyin.

**DİKKAT!** Termik şalterin kendi kendini istenmeyen zamanlarda resetlemesinden doğabilecek zararların önüne geçmek amacıyla fırının zamanlayıcı gibi harici anahtarlama cihazlarına ya da çeşitli sebeplerle düzenli olarak açılıp kapatılan bir elektrik tesisatına bağlanmaması gerekmektedir.

Ürünün Kategori III aşırı gerilim koşullarında tamamen kesilmeyi temin eden bir kontak açıklığı mesafesiyle, güç kaynağı bağlantısının kesilmesini sağlayacak şekilde kurulduğundan emin olun. Bağlantı ayırma yöntemleri, kablolama kurallarına uygun olarak sabit kablolara entegre edilmelidir.

Sadece bu fırın için tavsiye edilen sıcaklık probunu kullanın.

Aşırı ısınmayı önlemek için, cihaz, dekoratif bir kapının arkasına kurulmamalıdır.

**Yanık riski!**

Kullanım sırasında cihaz ısınır. Fırının içindeki ısıtma elemanlarına dokunmaktan kaçının. Sürekli gözetim altında olmadıkları sürece, 8 yaşından küçük çocuklar uzak tutulmalıdır.

**Yanık riski!**

Kapak kolunun ucu, havalandırmadan çıkan sıcak hava nedeniyle daha da sıcak olabilir.

Fırın kullanılmıyorken kontrol düğmelerinin kapalı konumda olduklarından daima emin olun.

UYARI: Olası bir elektrik çarpmasından kaçınmak için lamba deęiřtirilmeden önce ürünün kapatıldıęından emin olun.

Ocaęın cam kapaęını/ kapatma klapesinin camını (varsa) temizlerden ařındırıcı temizlik malzemeleri veya keskin metal kazıyıcılar kullanmayın çünkü yüzeyin çizilmesine ve camın çatlamasına neden olabilir.

Buharlı temizleyiciler veya doğrudan tazyikli su kullanmayın.

Güç kablosu zarar görürse, olası bir tehlikeyi önlemek için üretici, servis sorumlusu veya yetkili servis tarafından deęiřtirilmelidir.

# MİKRODALGA ENERJİSİNİN OLASI AŞIRI ETKİLERİNİN ÖNÜNE GEÇMEK İÇİN ALINMASI GEREKEN ÖNLEMLER

(a) Kapağı açık şekilde çalıştırıldığında zararlı mikrodalga enerjisine maruz kalılabileceğinden fırınınızı çalıştırırken kapağını kapatın. Güvenlik kilitlerinin açılmaması ve kurcalanmaması önemli bir konudur.

(b) Fırının ön yüzüyle kapağı arasına hiçbir nesne koymayınız veya sızdırmazlık yüzeyinde kir ya da temizlik maddesi kalıntısı toplanmasına izin vermeyiniz.

(c) **UYARI:** Eğer kapak ve kapak contaları hasar görürse, yetkili bir kişi tarafından onarım yapılıncaya kadar fırının çalıştırılmaması gereklidir;

## AKSESUARLAR

Cihaz temiz tutulmazsa, yüzeyi aşınabilir ve kullanım ömrü etkilenebilir; bu da tehlikeli bir duruma neden olabilir.

### Teknik Özellikler

Model:	FMW 20 SMP G XS / FSL 20 MW XS / FSL 20 MW BK
Anma Gerilimi:	230V~50Hz
Anma Giriş Gücü (Mikrodalga):	1250W
Anma Çıkış Gücü (Mikrodalga):	800W
Anma Giriş Gücü (Izgara):	1000W
Fırın Kapasitesi:	20L
Döner Platform Çapı:	Ø245mm
Dış Ölçüler:	595x343,5x388mm
Net Ağırlık:	Yaklaşık 15kg

### ENERJİ TÜKETİMİ

Güç tüketimi ve geçerli düşük güç moduna ulaşmak için maksimum süre için ürün bilgileri.

Bekleme modu	0.8 W
Mikrodalga fırının otomatik olarak geçerli düşük güç moduna veya durumuna ulaşması için gereken maksimum süre.	20 dakika

# ÖNEMLİ GÜVENLİK AÇIKLAMALARI

## UYARI

Cihazınızı kullanırken yangın, elektrik çarpması, yaralanma veya mikrodalga fırının yaydığı aşırı enerjiye maruz kalma riskini azaltmak için, aşağıdakiler de dahil olmak üzere temel önlemlere uygun hareket ediniz:

1. Uyarı: Patlama tehlikesi yaratabileceğinden sıvılar ve diğer yiyecekler vakumlu kaplarda ısıtılmamalıdır.
2. Uyarı: Mikrodalga enerjisine maruziyete karşı koruyan bir kaplamanın çıkarılmasını gerektiren herhangi bir servis veya tamir işleminin yetkin bir kişiden başkası tarafından gerçekleştirilmesi tehlike arz etmektedir;
3. Bu cihaz sadece gözetim altında bulunmaları veya cihazın güvenli bir şekilde kullanımı ile ilgili açıklamalar yapılması ve ilişkili tehlikelerin bilincinde olmaları durumunda 8 yaşından küçük çocuklar ile fiziksel, algısal veya zihinsel becerileri kısıtlı kişiler tarafından kullanılabilir. Çocukların cihazla oynamalarına izin verilmemelidir. Temizlik ve kullanıcı bakımı yalnızca 8 yaşından büyük ve gözetim altındaki çocuklar tarafından gerçekleştirilebilir.
4. Cihazı ve kablosunu 8 yaşından küçük çocukların erişemeyeceği yerlerde saklayın.
5. Yalnızca mikrodalga fırında kullanıma uygun kaplar kullanın.
6. Fırın düzenli olarak temizlenmeli ve yemek artıkları alınmalıdır.
7. "AŞIRI MİKRODALGA ENERJİSİNE MARUZ KALMA OLASILIĞINI ÖNLEMELİK İÇİN ALINACAK TEDBİRLER" bölümünü okuyun ve bu bölüme uygun hareket edin.
8. Yiyecekleri plastik veya karton bir kap içinde ısıtırken, bu kabın alev alma olasılığını dikkate alarak gözünüzü fırından ayırmayın.

9. Duman çıkması durumunda cihazı kapatarak prizden çıkarın ve çıkmış olabilecek alevlerin boğularak sönmesi için kapağı kapalı tutun.
10. Yiyecekleri gereğinden fazla ısıtmayın.
11. Fırının içini yiyecek saklama yeri olarak kullanmayın. Ekmek, pasta, vb. yiyecekleri fırının içinde saklamayın.
12. Fırına yerleştirmeden önce kağıt veya plastik kaplardaki/torbalardaki bağları ve metal kulpları çıkarınız.
13. Bu fırını yalnızca beraberinde verilen kurulum talimatlarına uygun olarak kurun veya taşıyın.
14. Çiğ kabuklu yumurtalar ve bütün haldeki haşlanmış katı yumurtalar mikrodalga ısıtma işlemi bittikten sonra bile patlayabilecekleri için mikrodalga fırınlarda ısıtılmamalıdır.
15. Bu cihaz, ev ve benzeri ortamlarda kullanılmak üzere tasarlanmıştır. Örneğin:
  - mağazalar, ofisler ve diğer çalışma ortamlarında mutfak personeli alanları;
  - oteller, moteller ve diğer yaşam alanlarındaki müşteriler tarafından;
  - çiftlik evleri;
  - yatak ve kahvaltılık ortamlar.
16. Eğer elektrik kablosu hasar gördüyse; tehlikeyi önlemek için üretici firma, onun servis acentası ya da benzeri yetkili kişiler tarafından değiştirilmelidir.
17. Cihazı bina dışında kullanmayın ve bulundurmayın.
18. Bu fırını suya yakın yerlerde, ıslak alanlarda veya yüzme havuzu yakınlarında kullanmayın.
19. Cihaz çalışırken erişilebilir yüzeylerin sıcaklığı yüksek olabilir. Kullanım sırasında yüzeylerin sıcak olması beklenen bir durumdur. Elektrik kablosunu ısınan yüzeylerden uzak tutun ve fırının herhangi bir yerini örtmeyin.



20. Elektrik kablosunun masadan ya da tezgahdan sarkmasına izin vermeyin.
21. Fırının temiz tutulmaması yüzeyinin çürümesine ve bunun sonucunda cihazın kullanım ömrünün kısalmasına ya da bir tehlikeli durumun ortaya çıkmasına sebep olabilir.
22. Olası yangınları önlemek için ısıtıldıktan sonra biberon ve bebek mama kaplarının içine koyulan yiyecekler bebeğe verilmenden önce karıştırılmalı veya çalkalanmalı ve sıcakları kontrol edilmelidir.
23. İçeceklerin mikrodalgada ısıtılması, daha sonradan kaynama kabarcıkları oluşmasına neden olabilir, bu yüzden yiyecek kabı tutulurken dikkatli olunmalıdır.
24. Cihaz, güvenliklerinden sorumlu bir kişi tarafından cihazın kullanımına ilişkin talimat verilmedikçe ya da gözetim altında tutulmadıkça, bedensel algılama veya zihinsel kapasitesi sınırlı olan ya da yeterli bilgi ve tecrübeye sahip olmayan kişilerce (çocuklar da dahil) kullanılmak üzere tasarlanmamıştır.
25. Cihazla oynamamaları için çocukların gözetim altında tutulmaları gereklidir.
26. Cihaz, harici bir zaman ayarı sistemi ya da ayrı bir uzaktan kumanda sistemi ile kullanıma uygun değildir.
27. Erişilebilir parçalar kullanım sırasında ısınabilir. Çocuklar fırından uzak tutulmalıdır.
28. Buharlı temizleyiciler kullanılmamalıdır.
29. Kullanım sırasında cihaz ısınır. Fırının içerisindeki ısınan parçalara dokunmaktan kaçınılmalıdır.
30. Sadece bu fırın için tavsiye edilen sıcaklık ölçüm ucunu kullanın (sıcaklık-algılama ölçüm ucu takılabilen fırınlar için).

31. UYARI: Cihaz ve erişilebilir parçaları kullanım sırasında ısınır. Sıcak bileşenlere dokunmamaya dikkat edilmelidir. 8 yaşından küçük çocuklar, gözetim altında olmadıkları zaman cihazdan uzak tutulmalıdır.

32. Mikrodalga fırın dekoratif kapı açık şekilde çalıştırılmalıdır (dekoratif kapısı olan fırınlar için). 33. Saklama çekmecesinin yüzeyi sıcak olabilir.

34. Mikrodalga fırın yiyecek ve içeceklerin ısıtılması amacıyla kullanılır. Yiyecek veya giysilerin kurutulması ya da sıcak su torbalarının, terliklerin, süngerlerin, nemli bezlerin ısıtılması yaralanma veya yangına neden olabilir.

**DİKKATLİCE OKUYUN VE DAHA SONRA DANIŞMAK  
ÜZERE SAKLAYIN**

# Kişilerin Yaralanma Riskini Azaltmak için Topraklama Kurulumu

## TEHLİKE

Cihazın içindeki bazı parçalara dokunulması ciddi yaralanmalara veya ölüme neden olabilir. Cihazın içini açmayın.

## UYARI

Elektrik Çarpması Tehlikesi  
Uygun olmayan topraklama kullanılması elektrik çarpmasına neden olabilir. Cihazın fişini topraklaması uygun olmayan bir prize takmayın.

Bu cihaz topraklanmalıdır. Topraklama, elektrik kısa devresi olması durumunda elektrik akımı için bir kaçış kablosu sağlayarak elektrik çarpması riskini azaltır. Bu cihaz topraklı bir fişi olan bir topraklama kablosu ile donatılmıştır. Bu fiş düzgün bir şekilde monte edilmiş ve topraklanmış olan bir duvar prizine takılmalıdır.

Topraklama ile ilgili herhangi bir açıklamayı tam anlayamamanız veya cihazın uygun biçimde topraklandığı konusunda şüpheleriniz varsa, uzman bir elektrikçiye veya servis elemanına başvurun.

Eğer bir uzatma kablosu kullanılması gerekirse, sadece 3-telli bir uzatma kablosu kullanın.

1. Kablonun dolaşması veya uzun kabloya takılıp düşme risklerinin azaltılması amacıyla, kısa bir elektrik kablosu verilmektedir.
2. Eğer uzun bir elektrik kablosu ya da bir uzatma kablosu kullanılırsa:
  - 1) Kablonun veya uzatma kablosunun belirtilen elektrik taşıma kapasitesi, cihazın anma kapasitesinden büyük olmalıdır.
  - 2) Uzatma kablosu, topraklı ve 3 telli bir kablo olmalıdır.
  - 3) Kablonun uzun kalan kısmı tezgahın veya masanın kenarından sarkmayacak ve çocukların çekmesine veya takılmaya neden olmayacak şekilde düzenlenmelidir.

## TEMİZLEME

Cihazın fişinin prizden çekilmiş olduğundan emin olun.

1. Kullanımdan sonra fırının boşluğunu hafif nemli bir bezle silin.
2. Aksesuarları sabunlu su ile temizleyin.
3. Kapı çerçevesi, sızdırmaz contalar ve civarındaki parçalar kirlendiklerinde dikkatli bir şekilde nemli bir bezle temizlenmelidir.
4. Fırının kapak camını temizlemek için aşındırıcı temizlik maddeleri veya keskin metal kazıyıcılar kullanmayın, bunlar yüzeyi çizebilir ve camın çatlamasına neden olabilir.
5. Temizleme İpucu---Fırın haznesinin yiyeceklerin temas edebileceği iç duvarlarının daha kolay temizlenmesi için: Yarım limonu kaseye koyun, 300 ml su ekleyerek %100 güçte mikrodalgada 10 dakika boyunca ısıtın. Yumuşak, kuru bir bez yardımıyla fırını silerek temizleyin.

## MUTFAK EŞYALARI DİKKAT

Yaralanma Tehlikesi  
Mikrodalga enerjisine maruziyete karşı koruyan bir kaplamanın çıkarılmasını gerektiren herhangi bir servis veya tamir işleminin yetkin bir kişiden başkası tarafından gerçekleştirilmesi tehlike arz etmektedir.

“Mikrodalga fırında kullanabileceğiniz veya kullanmamanız gereken kaplar” bölümünde yer alan talimatlara bakınız. Mikrodalga fırında kullanımı güvenli olmayan bazı metal olmayan mutfak eşyaları olabilir. Şüphe duyduğunuz takdirde, söz konusu kabı aşağıdaki prosedüre uyararak deneyebilirsiniz.

Kap Testi:

1. İlgili mutfak eşyası ile birlikte mikrodalga fırında kullanımı güvenli bir kaba 1 fincan soğuk su (250ml) koyun.
2. 1 dakika boyunca maksimum güçte pişirin.
3. Eşyaya dikkatlice dokununuz. Boş kap ısırırsa, mikrodalgada kullanmayınız.
4. 1 dakika pişirme süresini geçmeyin.

## Mikrodalga fırında kullanabileceğiniz malzemeler

### Mutfak Eşyaları Açıklamalar

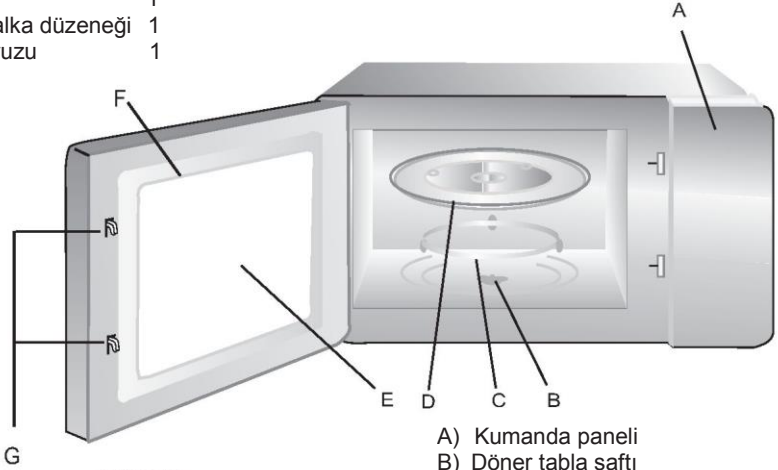
Yemeği kahverengileştirmeye	Üreticinin talimatlarını izleyin. Kahverengileşen yemeğin tabanı döner platformun en az 5 mm üzerinde olmalıdır. Uygun olmayan kullanımlar döner platformun kurulmasına neden olabilir.
Yemek takımı	Yalnızca mikrodalga ile uyumlu ürünler kullanın. Üreticinin talimatlarını izleyin. Çatlak veya kenarı kırılmış tabaklar kullanmayın.
Cam kavanozlar	Her zaman kapağını çıkarın. Yiyeceği yalnızca ılık olana kadar ısıtmak için kullanın. Birçok cam kavanoz ısıya dayanıklı değildir.
Cam eşyalar	Sadece ısıya dayanıklı fırın kapları. Metal bir kısmının olmadığından emin olun. Çatlak veya kenarı kırılmış tabaklar kullanmayın.
Fırın pişirme poşetleri	Üreticinin talimatlarını izleyin. Metal bir iple bağlamayın. Buharın çıkması için yarıklar açın.
Kağıt tabaklar ve bardaklar	Yalnızca kısa süreli pişirme/ısıtma amacıyla kullanınız. Isıtma işlemi sırasında fırının başından ayrılmayın.
Kağıt havlular	Yiyeceği tekrar ısıtırken sarmak ve yağın emilmesi için kullanın. Sadece kısa süreli ısıtma amacıyla fırının başından ayrılmadan kullanın.
Parşömen kağıdı	Sıçramayı önlemek veya buharda pişirme için sarmak amacıyla kullanın.
Plastik	Yalnızca mikrodalga ile uyumlu ürünler kullanın. Üreticinin talimatlarına uyun. "Mikrodalga için Güvenlidir" etiketi taşınmalıdır. Bazı plastik kaplar yiyecek ısındıkça yumuşamaya başlar. "Pişirme poşetleri" ve sıkıca kapatılan plastik torbalar, ambalajlarının üzerinde belirtildiği şekilde delinmeli, yırtılmalı veya hava delikleri açılmalıdır.
Plastik folyo	Yalnızca mikrodalga ile uyumlu ürünler kullanın. Pişirme sırasında nemi tutmak için yiyecekleri kaplamak için kullanın. Streç filmin yiyeceğe temas etmesine izin vermeyin.
Termometreler	Yalnızca mikrodalga ile uyumlu termometreler kullanın (et ve şeker termometreleri).
Yağlı kağıt	Sıçramayı önlemesi ve nem tutması amacıyla yiyeceği sarmak için kullanın.
<b>Mikrodalga fırında kullanılmaması gereken maddeler</b>	
Mutfak Eşyaları Açıklamalar	
Alüminyum tepsi	Kıvılcım çıkmasına neden olabilir. Yiyeceği mikrodalgada kullanılması güvenli bir tabağa alın.
Metal kuplu besin kartonu	Kıvılcım çıkmasına neden olabilir. Yiyeceği mikrodalgada kullanılması güvenli bir tabağa alın.
Metal veya metal aksamı kaplar	Metal, mikrodalga enerjisinin yiyeceklere ulaşmasını engeller. Metal çerçeve arka yol açabilir.
Metal bükümlü başcıklar	Arka yol açabilir ve fırının içinde yangına neden olabilir.
Kağıt torbalar	Fırının içinde yangına neden olabilir.
Plastik köpük	Plastik köpük yüksek sıcaklığa maruz bırakıldığında eriyebilir veya içindeki sıvıyı kiretebilir.
Ahşap	Ahşap malzemeler mikrodalga fırında kullanıldığında kurur ve çatlayıp kırılabilir.

# FIRININIZIN MONTAJI

## Fırın Parça ve Aksesuarlarının İsimleri

Fırını ve diğer tüm malzemeleri ambalajlarından ve fırın haznesinden çıkarın. Fırınınız aşağıdaki aksesuarlarla birlikte gelir:

Cam tepsi	1
Döner tabla halka düzeneği	1
Kullanım Kılavuzu	1



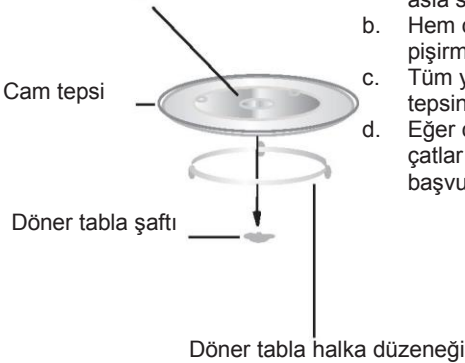
- A) Kumanda paneli
- B) Döner tabla şaftı
- C) Döner tabla halka düzeneği
- D) Cam tepsi
- E) Gözlem penceresi
- F) Kapak düzeneği
- G) Güvenlik kilitleme sistemi



Izgara Kızağı (sadece izgara fonksiyonunda kullanılabilir ve cam tepsinin üzerine yerleştirilir)

## Döner Tablanın Yerleştirilmesi

Merkez (alt taraf)



- a. Asla cam tepsiyi baş aşağı yerleştirmeyin. Cam tepsi asla sıkışmamalıdır.
- b. Hem cam tepsi, hem de döner tabla halka düzeneği pişirme sırasında her zaman kullanılmalıdır.
- c. Tüm yiyecekler ve yiyecek kapları her zaman cam tepsinin üzerine yerleştirilmelidir.
- d. Eğer cam tepsi veya döner tabla halka düzeneği çatlak veya kırılırsa, en yakın yetkili servis merkezine başvurun.

## Kurulum ve bağlantılar

1. Bu cihaz sadece evde kullanım amaçlı olarak üretilmiştir.
2. Bu fırın sadece ankastre kullanım içindir. Tezgah üstünde veya bir dolap içinde kullanıma uygun değildir.
3. Lütfen özel kurulum açıklamalarına uyun.
4. Cihaz 60 cm genişliğinde duvara monte bir dolabın içine monte edilebilir.
5. Cihaz bir fişle teçhizatlandırılmıştır ve yalnızca uygun bir şekilde kurulmuş topraklı bir prize takılmalıdır.
6. Şebeke gerilimi, anma değerleri plakasında belirtilen gerilim değerine uygun olmalıdır.
7. Prizin takılması ve kablo bağlantılarının yapılması uzman bir elektrikçi tarafından yapılmalıdır. Eğer kurulum tamamlandıktan sonra prize ulaşılması mümkün olmuyorsa, tüm kutupları ayıran ve kontakları arasında en az 3mm olan bir kesici cihaz eklenmelidir.
8. Adaptörler, priz çoklayıcılar ve uzatma kabloları kullanılmamalıdır. Aşırı yüklenme yangın riskine yol açar.

**Çalışma esnasında erişilebilir yüzey ısınabilir.**



# Kurulum Talimatları

Lütfen Kurulumdan önce bu Kılavuzu Dikkatle Okuyun

Lütfen unutmayın

## Elektrik bağlantısı

Bu fırının fişi sadece uygun bir şekilde topraklaması yapılmış bir prize takılmalıdır. Prizin takılması ve kablo bağlantılarının yapılması uzman bir elektrikçi tarafından gerekli düzenlemelere uygun olacak şekilde yapılmalıdır.

Eğer kurulum tamamlandıktan sonra prize ulaşılması mümkün olmazsa, tüm kutupları ayıran ve kontakları arasında en az 3 mm olan bir kesici anahtar eklenmelidir.

Montajın yapıldığı dolapta cihazın arka tarafında bir kapak bulunmamalıdır.

Duvarla ünitenin yukarı gövde kısmı arasında bir aralık korunmalıdır. Aralığın büyüklüğü için ilgili şemalara bakınız.

Minimum montaj yüksekliği: 85 cm.

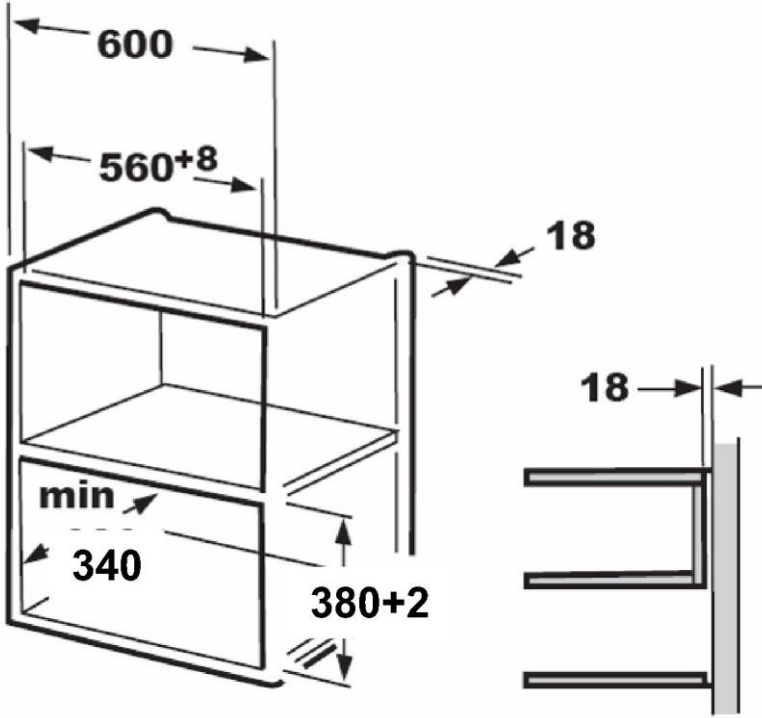
Havalandırma yuvaları ve hava emiş deliklerini kapatmayın.

## Not:

Elektrik kablosunu sıkıştırmayın ve bükmeyin.

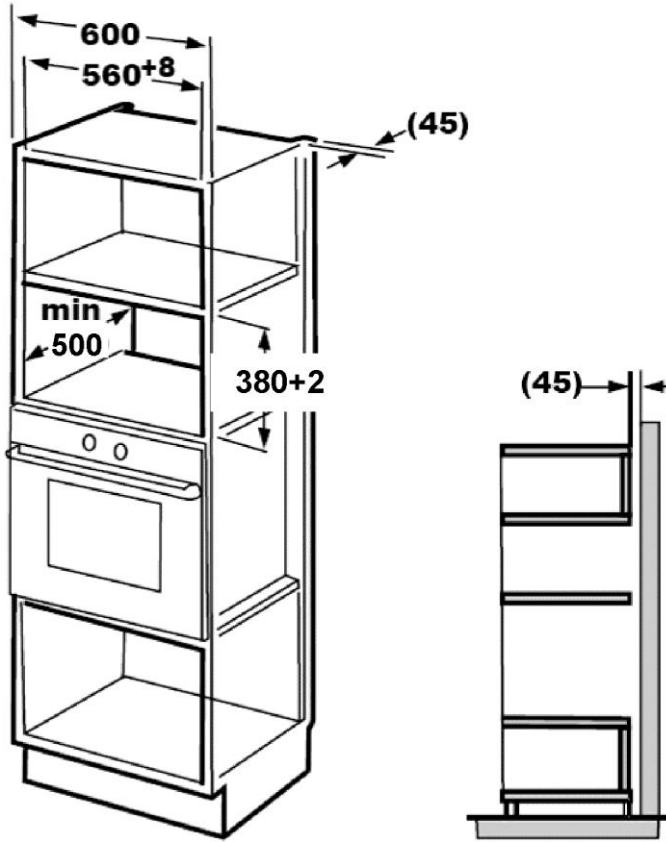
Bir çalışma yüzeyinin altında kullanmayın ve kaptan cihazın takılı olduğu yüzeye dökmeyin.

1.





2.

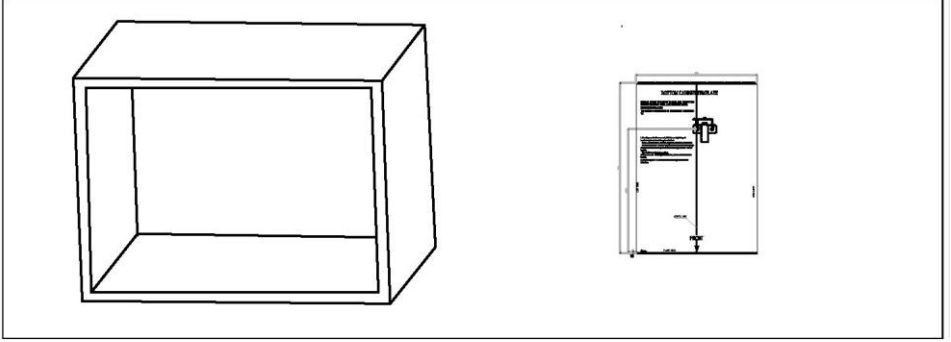


Not:

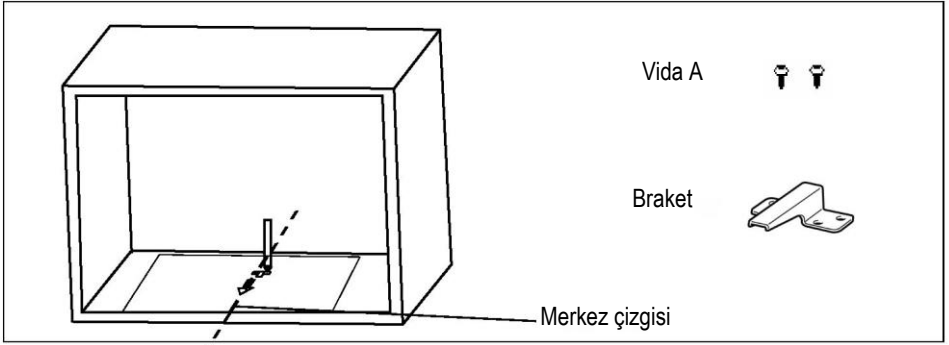
Her iki kurulum işleminde de sabitleme ayağı ve alt dolap şablonuna gereksinim duyulur.

## B. Dolabın hazırlanması

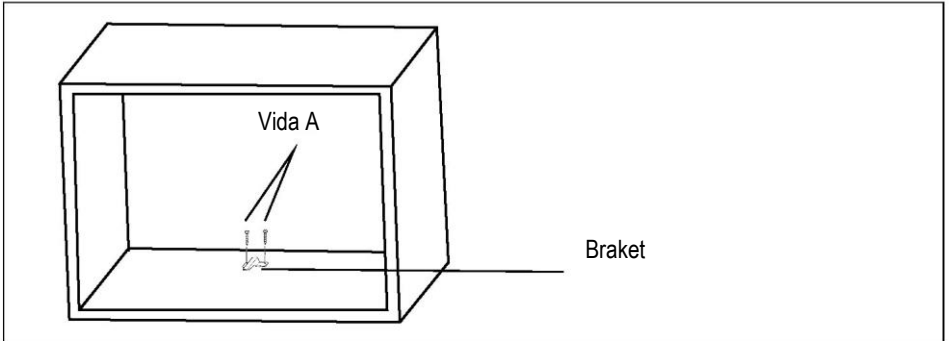
1. ALT DOLAP ŞABLONU üzerinde bulunan açıklamaları okuyun, şablonu dolabın alt düzlemine yerleştirin.



2. Şablonun "a" işaretlerine göre kabinin alt düzlemini işaretleyin



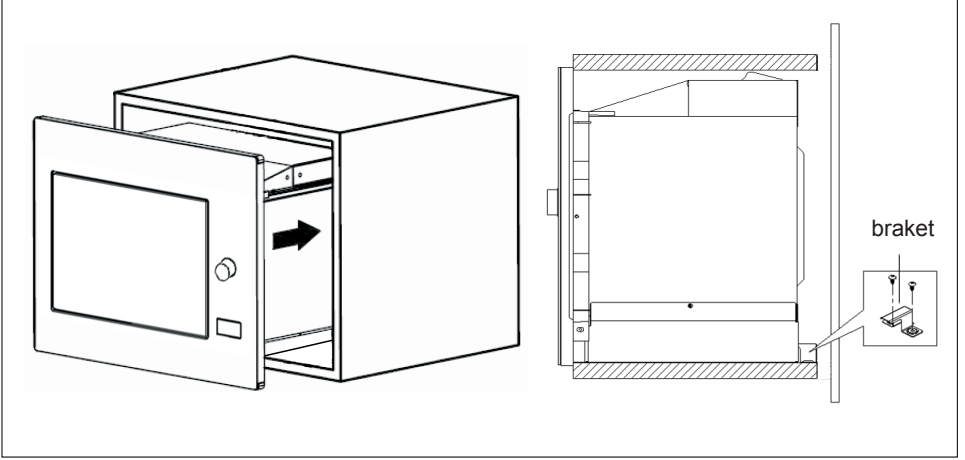
3. Alt kabin şablonunu kaldırın ve sabitleme ayağını vida A ile sabitleyin.



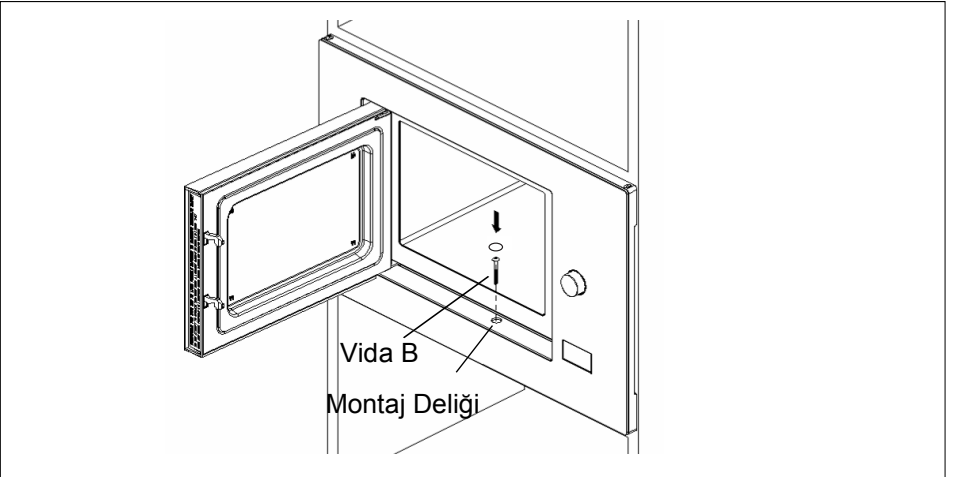
## C. Fırının Montajı

### 4. Fırını dolaba yerleştirin

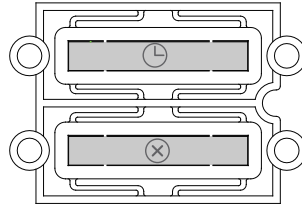
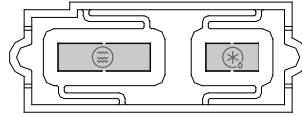
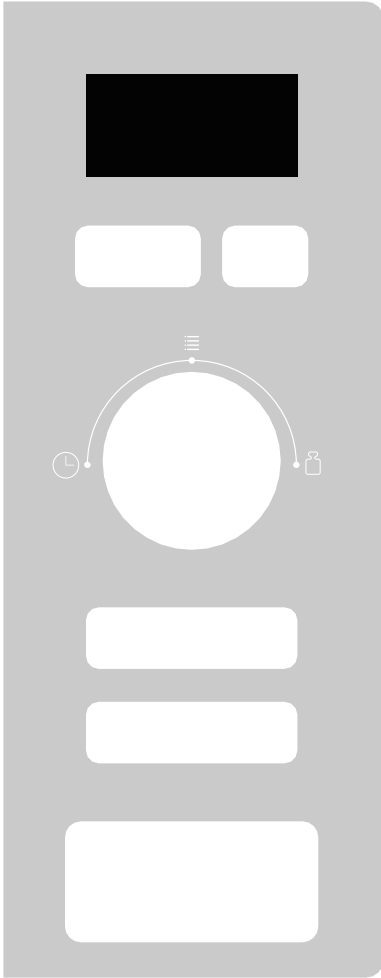
- Fırının arka kısmının sabitleme ayağına kilitlemesini sağlayın.
- Elektrik kablosunu sıkıştırmayın ve bükmeyin.



5. Kapağı açın, montaj deliğinde bulunan vida B ile fırını kabine sabitleyin.  
Sonra Dekorasyon setinde bulunan plastik kapağı montaj deliğine takın.



# Kontrol Paneli



## Instruction:

	Micro/ Grill/Combi.		Weight/Time Defrost
	Kitchen Timer/ Clock		Stop/Clear
	Start/ +30Sec./Confirm		Auto Menu
	Time		Weight

# Çalıştırma Talimatları

## 1. Saati Ayarlama

Mikrodalga fırına ilke kez enerji verildiğinde, fırının ekranında "0:00" görüntülenecek, ikaz kornası bir kez çalacaktır.

1) Saat fonksiyonunu seçmek için "Kitchen Timer/Clock" (Mutfak Zamanlayıcı/Saat) üzerine iki kez basın, saat rakamları yanıp sönmeye başlayacaktır.

---

2) Dakika değerlerini ayarlamak için " " çevirin, girilen dakika 0--23 arasında olmalıdır.

---

3) "Kitchen Timer/Clock" (Mutfak Zamanlayıcısı/Saat) tuşuna bastığınızda, dakika değerleri yanıp söner.

---

4) Dakika değerlerini ayarlamak için " " çevirin, girilen dakika 0--59 arasında olmalıdır.

---

5) " Kitchen Timer/Clock " (Mutfak Zamanlayıcısı/Saat) tuşuna basarak, saat ayarlama işleminizi sonlandırın. ":" yanıp söner ve zaman yanar.


---


Not: 1) Eğer saat ayarlanmamışsa, enerji verildiği zaman çalışmayacaktır.

2) Saatin ayarlanması sırasında "Stop/Clear" (Durdur/İptal) tuşuna basarsanız, fırın otomatik olarak bir önceki durumuna döner.

## 2. Mikrodalgada Pişirme

" Micro./Grill/Combi " tuşuna bir kez basın, ekranda "P100" görüntülenecektir. "


Micro./Grill/Combi " tuşuna ardı ardına basarak veya " " çevirerek istediğiniz enerji seviyesini seçin. Her basışta "P100", "P 80" , " P 50 " , "P 30" , "P10", "G" , "C-1" veya "C-2" görüntülenecektir. Onaylamak için "Start/+30Sec./Confirm " (Başlat/+30Sn/Onayla) tuşuna

basın ve " " çevirerek pişirme süresini 0:05 ila 95:00 arasında ayarlayın. Pişirme işlemini başlatmak için "Start/+ 30Sec./Confirm " (Başlat/+30Saniye/Onayla) üzerine yeniden basın.

Örnek: Eğer mikrodalga fırını %80 gücünde 20 dakika boyunca çalıştırmak istiyorsanız, fırını aşağıdaki gibi çalıştırabilirsiniz.

1) " Micro /Grill /Combi ." (Mikrodalga/Izgara/Kombinasyon) tuşuna bir kez bastığınızda ekranda "P100" görüntülenir.


---

2) " Micro./Grill/Combi " tuşuna bir kez daha basarak veya " " çevirerek mikrodalga enerjisini %80 olarak ayarlayın.

---

3) Onaylamak için "Start/+ 30Sec./Confirm " (Başlat/+30Saniye/Onayla) basın, ekranda "P 80" görüntülenecektir.

---

4) Pişirme süresini ayarlamak için fırının ekranında "20:00" görüntülenene kadar " " tuşunu çevirin.

---

5) Pişirmeyi başlatmak için "Start/+30Sec./Confirm" (Başlat/+30Sn/Onayla) tuşuna basın.



Not: Pişirme süresinin ayar kademe kodları aşağıdaki gibidir:

0— 1 dak	:	5 saniye
1— 5 dak	:	10 saniye
5—10 dak	:	30 saniye
10---30 dak	:	1 dakika
30—95 dak	:	5 saniye

Micro./Grill/Combi. Sıralama	Tuş Takımı Açıklamaları Ekran	Mikrodalga Enerjisi	Izgara Enerjisi
1	P100	100%	
2	P 80	80%	
3	P 50	50%	
4	P 30	30%	
5	P 10	10%	
6	G	0%	100%
7	C-1	55%	45%
8	C-2	36%	64%


### 3. Izgara veya Kombi Pişirme

" Micro./Grill/Combi " tuşuna bir kez bastığınızda ekranda "P100" görüntülenir ve "

Micro./Grill/Combi " tuşuna ardı ardına basarak veya "  " çevirerek istediğiniz enerji seviyesini seçin. Her basışta "P100", "P 80", " P 50 ", "P 30", "P10", "G", "C-1" veya "C-2" görüntülenecektir. "Start/+ 30Sec. /Confirm " (Başlat/+30Saniye/Onayla) üzerine basarak onaylayın ve "  " çevirerek pişirme süresini 0:05 ila 95:00 arasında ayarlayın. Start/+ 30Sec. /Confirm " (Başlat/+30Saniye/Onayla) üzerine basarak pişirme işlemini başlatın.

Örnek: 10 dakikalık bir pişirme işleminde mikrodalga gücünün %55 ve ızgara gücünün %45 (C-1) olmasını istiyorsanız, aşağıdaki adımları uygulayarak fırını çalıştırabilirsiniz.

1) " Micro /Grill /Combi ." (Mikrodalga/Izgara/Kombinasyon) tuşuna bir kez bastığınızda ekranda "P100" görüntülenir.

2) Bir kez daha " Micro./Grill/Combi." tuşa basarak veya "  " çevirerek kombiyi seçin. 1 mod

3) Onaylamak için "Start/+ 30Sec./Confirm " (Başlat/+30Saniye/Onayla) basın, ekranda "C -1" görüntülenecektir.


4) Pişirme süresini ayarlamak için fırının ekranında "10:00" görüntülenene kadar "  " çeviriniz.

5) Pişirmeyi başlatmak için "Start/+30Sec./Confirm" (Başlat/+30Sn/Onayla) tuşuna basın.

Not: Izgara süresinin yarısı geçince, fırın iki kez sesli ikaz verir; bu normal bir durumdur.

Yiyeceklerin daha iyi ızgara edilmesi amacıyla, yiyeceği çevirdikten sonra kapağı kapatıp "Start/+ 30Sec./Confirm " (Başlat/+30Saniye/Onayla) tuşuna basarak pişirmeye devam edin. Eğer hiçbir işlem yapılmazsa, fırın çalışmaya devam edecektir.


#### 4. Hızlı Başlat

- 1) Bekleme durumunda iken %100 enerjiyle pişirmeyi başlatmak için "Start/+30Sec./Confirm" (Başlat/+30Sn/Onayla) tuşuna basın, bundan sonraki her basışta pişirme süresi 95 dakikaya ulaşınca kadar 30 saniye artacaktır.
- 2) Mikrodalga, ızgara ve kombi pişirme modunda iken "Start/+30Sec./Confirm" (Başlat/+30Sn/Onayla) tuşuna basıldığında, pişirme süresi 30 saniye artacaktır.
- 3) Bekleme durumunda pişirme süresini %100 mikrodalga gücüne ayarlamak için " sola çevirin Pişirme süresini seçtikten sonra, pişirmeyi başlatmak için "Start/+30Sec./Confirm" (Başlat/+30Sn/Onayla) tuşuna basın.

#### 5. Ağırlığa göre Buz Çözme

- 1) " Weight/Time Defrost " (Ağırlığa/Süreye Göre Buz Çözme) tuşuna bir kez bastığınızda, ekranda "dEF1" görüntülenir.

---

- 2) Yiyeceklerin ağırlığını 100 ila 2000 g arasında seçmek için " tuşunu çevirin.


---

- 3) Buz çözme işlemine başlamak için "Start/+30Sec./Confirm" (Başlat/+30Sn/Onayla) tuşuna basın.

#### 6. Süreye göre Buz Çözme

- 1) " Weight/Time Defrost " (Ağırlığa/Süreye Göre Buz Çözme) tuşuna iki kez bastığınızda, ekranda "dEF2" görüntülenir.


---

- 2) Buz çözme süresini ayarlamak için " basın. MAKSİMUM süre 95 dakikadır.


---

- 3) " Start/+ 30 Sec. /Confirm " (Başlat/+30Saniye/Onayla) üzerine basarak buz çözme işlemi başlatın. Buz çözme gücü P30 değerindedir ve değiştirilemez.

## 7. Mutfak Zamanlayıcısı

- (1) Kitchen Timer/Clock " (Mutfak Zamanlayıcısı/Saat) tuşuna bir kez bastığınızda ekranda 00:00 görüntülenecektir.
- (2) İstedığınız süreyi ayarlamak için "  " çevirin. (Maksimum pişirme süresi 95 dakikadır)
- (3) Ayarları onaylamak için "Start/+30Sec./Confirm" (Başlat/+30Sn/Onayla) tuşuna basın;
- (4) Mutfak zamanlayıcısında ayarlanan süre dolduğunda ikaz sesi 5 kez çalacaktır.  
Eğer saat ayarlanmıyorsa (24 saatli sistem), ekran geçerli saati gösterir. Not: Mutfak Zaman Ayarı 24-saat sisteminden farklıdır. Mutfak Zaman Ayarı bir zamanlayıcıdır.

## 8. Otomatik Menü

1) Menü seçimi yapmak için "  " tuşunu sağa doğru çevirin, "A-1" ile "A-8" görüntülenecektir.

---

2) Onaylamak için "Start/+30Sec./Confirm" (Başlat/+30Sn/Onayla) tuşuna basın.


---

3) Menü tablosunda belirtildiği şekilde varsayılan ağırlığı "  " seçin.

---

4) Pişirmeyi başlatmak için "Start/+30Sec./Confirm" (Başlat/+30Sn/Onayla) tuşuna basın.


Örnek: Eğer 350 g balık pişirmek için "Otomatik Menü" kullanmak isterseniz,

1) "A-6" görüntüleninceye kadar "  " saat yönünde çevirin.

---

2) Start/+ 30Sec. /Confirm " (Başlat/+30Saniye/Onayla) üzerine basarak onaylayın.

---

3) Balığın ağırlığını seçmek için ekranda "350" görüntüleninceye kadar "  " çevirin.

---

4) Start/+ 30Sec. /Confirm " (Başlat/+30Saniye/Onayla) üzerine basarak pişirme işlemini başlatın.



Menü tablosu:

Menü	Ağırlık	Ekranı
A-1 Pizza	200 g	200
	400 g	400
A-2 Et	250 g	250
	350 g	350
	450 g	450
A-3 Sebze	200 g	200
	300 g	300
	400 g	400
A-4 Makarna	50g (450 ml soğuk suyla)	50
	100g (800 ml soğuk suyla)	100
A-5 Patates	200 g	200
	400 g	400
	600 g	600
A-6 Balık	250 g	250
	350 g	350
	450 g	450
A-7 İçecek	1 fincan (120 ml)	1
	2 fincan (240 ml)	2
	3 fincan (360 ml)	3
A-8 Patlamış mısır	50 g	50
	100 g	100


## 9. Çok aşamalı pişirme

Piştirme için en fazla 2 aşama ayarlanabilir. Çok-aşamalı pişirmede, eğer bir aşama buz çözme ise birinci aşamada otomatik olarak buz çözme yapılacaktır.

Örnek: Eğer 5 dakika boyunca buz çözmek ve sonra mikrodalga fırın %80 enerji seviyesinde iken 7 dakika boyunca çalıştırmak için aşağıdakileri yapın:

1) " Weight/Time Defrost " (Ağırlığa/Süreye Göre Buz Çözme) tuşuna iki kez bastığınızda, ekranda "dEF2" görüntülenir.

---

2) Buz çözme süresini ayarlamak için ekranda "5:00" görüntüleninceye kadar "  " çevirin.

---

3) " Micro./Grill /Combi ." (Mikrodalga/Izgara/Kombinasyon) tuşuna bir kez bastığınızda ekranda "P100" görüntülenir.


---

4) Bir kez daha bu tuşa basarak veya "  " çevirerek mikrodalga enerjisini %80 olarak ayarlayın.

---

5) "Start/+ 30Sec. /Confirm " (Başlat/+30Saniye/Onayla) üzerine basarak onaylayın, ekranda "P 80" görüntülenecektir.

---

6) Piştirme süresini ayarlamak için fırının ekranında "07:00" görüntülenene kadar "  " çevirin.

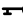
---

7) "Start/+ 30Sec./Confirm" (Başlat/+30Saniye/Onayla) tuşuna basarak piştirme işlemini başlatın, ilk seçim için ikaz bir kez çalacak, buz çözme süresi geri saymaya başlayacaktır. İkinci aşamaya geçildiğinde ikaz kornası yeniden çalacaktır. Piştirme sona erdiğinde, ikaz kornası beş kez çalacaktır.

## 10. Sorgulama Fonksiyonu

- (1) Mikrodalga, ızgara ve kombi piştirme durumlarında, " Micro /Grill /Combi" (Mikrodalga/Izgara/Kombinasyon) bastığınızda mevcut enerji seviyesi 3 saniye boyunca görüntülenecektir. 3 saniye sonra, fırın yeniden eski durumuna dönecektir.
- (2) Piştirme modunda saati öğrenmek için " Kitchen Timer/Clock " (Mutfak Zamanlayıcısı/Saat) tuşuna basın, 3 saniye boyunca saat görüntülenecektir.

## 11. Çocuklar için Kilitleme Fonksiyonu

Kilitleme: Bekleme durumundayken, 3 saniye "Stop/Clear" (Durdur/İptal) tuşuna basınız. Çocuk kilidinin etkinleştirildiğini  belirten uzun bir bip sesi duyarsınız ve zaman ayarlanmışsa saat ekrana gelir. Aksi takdirde "E - - E" görüntülenir.

Kilidi açma: Kilitli durumdayken, 3 saniye boyunca "Stop/Clear" (Dur/Sil) tuşuna basın, kilidin iptal edildiğini bildirmek üzere uzun bir ikaz sesi duyulacaktır.

## Sorun Giderme

Normal	
Mikrodalga fırın TV sinyal alışına karışıyor	Mikrodalga fırın çalıştığında radyo ve televizyon sinyaline karışabilir. Bu parazitler mikser, elektrikli süpürge ve elektrikli fan gibi küçük elektrikli aletlerin çalışmasına benzerdir. Normal bir durumdur.
Fırın lambası loş yanıyor	Düşük enerjiyle pişirme sırasında fırın lambası loş yanabilir. Normal bir durumdur.
Kapakta buhar birikiyor, havalandırma açıklıklarından sıcak buhar çıkıyor	Pişirme esnasında yiyecekte buhar çıkabilir. Bu buharın çoğu havalandırma deliklerinden atılacaktır. Fakat bir kısmı fırının kapağı gibi daha soğuk bir yerde toplanabilir. Normal bir durumdur.
Fırın yanlışlıkla içinde yiyecek olmadan çalıştı.	Fırını içerisinde yiyecek olmadan çalıştırmak yasaktır. Oldukça tehlikelidir.

Sorun	Olası Sebep	Yapılacaklar
Fırın çalışmıyor.	(1) Elektrik fişi düzgün takılmamış olabilir.	Fişi prizden çekin. 10 saniye sonra fişi yeniden takın.
	(2) Sigorta atmış veya devre kesici açmış olabilir.	Sigortayı değiştirin veya devre kesiciyi sıfırlayın (şirketimizin profesyonel bir çalışanı tarafından tamir edilir).
	(3) Prizde sorun olabilir.	Başka elektrikli cihazlarla prizi kontrol edin.
Fırın ısıtmıyor.	(4) Kapağı iyi kapanmamış olabilir.	Kapağı tam kapatın.



Atık Elektrikli ve Elektronik Eşya (WEEE) direktiflerine göre, WEEE ayrı bir yerde toplanmalı ve işlem görmelidir. Eğer ilerde herhangi bir zaman bu ürünü bertaraf etmeniz gerekirse, lütfen diğer ev atıkları ile birlikte ATMAYIN. Lütfen bu ürünü yakınınızdaki WEEE toplama merkezlerine gönderiniz.

## INFORMACIÓN DE SEGURIDAD

Lea detenidamente el manual del usuario y la información de seguridad antes de utilizar el horno.

Conserve el manual para poder consultarlo en el futuro.

El fabricante no se hará responsable de ningún daño que pueda producirse como consecuencia de la instalación incorrecta y el uso incorrecto, inadecuado o no razonable del dispositivo.

La seguridad eléctrica del horno solo estará garantizada si se conecta a un sistema de toma a tierra conforme a las regulaciones vigentes en la materia.

Para garantizar un funcionamiento seguro y eficiente de este dispositivo eléctrico:

- Acuda únicamente a centros de servicio técnico autorizados.
- No realice modificaciones al dispositivo.

Este aparato lo pueden utilizar niños a partir de 8 años y personas con capacidad motriz, sensorial o mental reducida o que no poseen la experiencia y los conocimientos necesarios siempre que lo utilicen bajo la supervisión de una persona responsable de su seguridad o reciban instrucciones sobre su uso. Los niños no deben jugar con el aparato. Los niños no deben llevar a cabo las tareas de limpieza y mantenimiento sin supervisión.

Este dispositivo no es un juguete.  
No deje a los niños desatendidos cerca del dispositivo.  
No deje que los niños toquen el dispositivo o sus controles durante su funcionamiento o inmediatamente después del mismo.

**CAUCIÓN:** Para evitar los riesgos derivados de un restablecimiento accidental del disyuntor térmico, este aparato no debe recibir alimentación de un dispositivo de conmutación externo como, por ejemplo, un temporizador, ni ser conectado a un circuito que encienda y apague regularmente la empresa de suministro

Compruebe que el dispositivo se instale de manera que permita la desconexión de la alimentación eléctrica con una distancia de apertura de contacto que garantice una desconexión completa en condiciones de sobretensión de categoría III. Los medios de desconexión deben estar incorporados en el cableado fijo de acuerdo con las reglas de cableado.

Use solo la sonda de temperatura recomendada para este horno.

El aparato no debe instalarse detrás de una puerta decorativa para evitar el sobrecalentamiento. Con el objetivo de evitar el sobrecalentamiento, el aparato no deberá instalarse tras una puerta decorativa.

**Riesgo de sufrir quemaduras**

Durante su uso, el aparato se calienta. Se debe tener precaución para evitar tocar los elementos calefactores dentro del horno. Mantenga alejados a los niños menores 8 años salvo que sean supervisados continuamente.

¡Riesgo de sufrir quemaduras!

Debido al aire caliente que sale del horno, el extremo del asidero de la puerta puede estar más caliente.

Compruebe siempre que los mandos de control estén en su posición de apagado cuando el horno no esté en uso.

**ADVERTENCIA:** Asegúrese de que el aparato está apagado antes de sustituir la lámpara para evitar la posibilidad de una descarga eléctrica.

No use limpiadores abrasivos ni rascadores metálicos afilados para limpiar el cristal de la puerta del horno/el cristal de la tapa con bisagras de la placa (según proceda), ya que puede rayar la superficie, lo cual podría dar lugar a la rotura del cristal.

No use limpiadores a vapor ni chorros de agua directos.

Si el cable de alimentación está dañado, debe ser reemplazado por el fabricante, su agente de servicio o personas igualmente cualificadas, para evitar cualquier tipo de riesgo.

# PRECAUCIONES PARA EVITAR EXPOSICIONES A ENERGÍA DE MICROONDAS

(a) No intente hacer funcionar este horno con la puerta abierta dado que esto puede dar como resultado una dañina exposición a energía de microondas. Es importante no romper o manipular los enclavamientos de seguridad.

(b) No coloque objetos entre la parte delantera y la puerta del horno e impida que se acumule suciedad y residuos de limpiadores en las juntas.

(c) **ADVERTENCIA:** Si la puerta o las juntas de la puerta están dañadas, no deberá utilizar el horno hasta que haya sido reparado por un técnico competente.

## ANEXO

Si el aparato no se mantiene en un buen estado de limpieza, su superficie podría degradarse y esto podría afectar a la vida útil del mismo y provocar una situación peligrosa.

### Especificaciones

Modelo:	FMW 20 SMP G XS / FSL 20 MW XS / FSL 20 MW BK
Tensión nominal:	230V~50Hz
Entrada de potencia nominal (microondas):	1250W
Salida de potencia nominal (microondas):	800W
Entrada de potencia nominal (grill):	1000W
Capacidad del horno:	20L
Diámetro del plato giratorio:	Ø245mm
Dimensiones externas:	595x343.5x388mm
Peso neto:	Aprox. 15kg

### CONSUMO ENERGÉTICO

Información del producto sobre el consumo energético y el tiempo máximo necesario para alcanzar el modo de bajo consumo aplicable.

---

Modo de espera	0,8 W
----------------	-------

---

El tiempo máximo necesario para que el horno microondas alcance automáticamente el modo o la condición de bajo consumo aplicable.	20 minutos
---	------------

---

# **INSTRUCCIONES IMPORTANTES DE SEGURIDAD**

Para reducir los riesgos de incendio, descarga eléctrica, lesiones a personas o excesiva exposición a energía microondas al usuario su electrodoméstico, siga una serie de precauciones básicas, incluyendo:

1. Advertencia: No caliente líquidos u otros alimentos en recipientes cerrados porque pueden explotar.
2. Advertencia: Es peligroso que realicen operaciones y reparaciones técnicas que impliquen la extracción de las cubiertas que protegen de la exposición a la energía de microondas personas no competentes.
3. Este aparato lo pueden utilizar niños a partir de 8 años y personas con capacidad motriz, sensorial o mental reducida o que no poseen la experiencia y los conocimientos necesarios siempre que lo utilicen bajo la supervisión de una persona responsable de su seguridad o reciban instrucciones sobre su uso. Los niños no deben jugar con el aparato. Los niños no deberán encargarse de la limpieza y el mantenimiento salvo que tengan, al menos 8 años y estén supervisados.
4. Mantenga el aparato y el cable fuera del alcance de los niños de menos de 8 años.
5. Utilice exclusivamente utensilios aptos para hornos microondas.
6. Limpie regularmente el horno y quite los restos de alimentos.
7. Lea y respete las específicas: "PRECAUCIONES PARA EVITAR EXPOSICIONES A UNA EXCESIVA ENERGÍA DE MICROONDAS".
8. Cuando caliente alimentos en contenedores de plástico o papel, esté pendiente del horno porque podría incendiarse.



9. Si sale humo, apague o desenchufe el aparato y mantenga la puerta cerrada para sofocar las llamas.
10. No cocine en exceso los alimentos.
11. No utilice el interior del horno para guardar cosas.  
No almacene alimentos, como pan, galletas, etc. dentro del horno.
12. Quite los cierres de alambre y las asa de metal de las bolsas de papel o plástico antes de introducirlas en el horno.
13. Instale o coloque este horno solo de acuerdo con las instrucciones de instalación dadas.
14. No caliente huevos frescos o hervidos con cáscara en el horno microondas porque podrían explotar incluso después de que haya terminado el calentamiento.
15. Este electrodoméstico está destinado a un uso en ambientes domésticos o en ambientes similares como:
  - áreas de cocina en oficinas, tiendas y otros;
  - por los clientes de hoteles, moteles y otros entornos residenciales;
  - granjas;
  - entornos tipo pensiones.
16. Si el cable está dañado, sólo debe sustituirlo personal cualificado del servicio de asistencia técnica del fabricante para evitar daños.
17. No guarde ni utilice este aparato al aire libre.
18. No use este horno cerca del agua, en un sótano húmedo o cerca de una piscina.
19. La temperatura de las superficies accesibles podría ser alta cuando la aplicación está funcionando. Es probable que las superficies se calienten durante el uso. Mantenga el cable lejos de las superficies calentadas y no cubra ninguno de los respiraderos del horno.

20. No deja el cable colgando sobre el borde de una mesa o de una encimera.
21. Si no se mantiene el horno limpio, se podría deteriorar la superficie, lo cual podría reducir la vida útil del aparato y conducir a una situación peligrosa.
22. Es necesario mover o agitar el contenido de los biberones y los potitos, y comprobar su temperatura antes consumirlos para evitar quemaduras.
23. Las bebidas al calentarse en el microondas pueden entrar en ebullición retardada y eruptiva, así que hay que tener mucho cuidado al manipular el recipiente.
24. Este aparato no está diseñado para que lo utilicen personas (incluidos niños) con capacidad motriz, sensorial o mental reducida ni carentes de experiencia o conocimientos, a menos que la persona responsable de su seguridad les enseñe a utilizarlo o supervise su uso.
25. Se debe vigilar a los niños para asegurarse de que no juegan con el aparato.
26. El aparato no está diseñado para su uso con un temporizador externo o un sistema de mando a distancia.
27. Las partes accesibles pueden calentarse durante el uso. Mantenga alejados a los niños.
28. No se deben utilizar sistemas de limpieza a vapor.
29. El aparato se caliente durante el uso. Tenga cuidado de no tocar las resistencias del interior del horno.
30. Utilice únicamente la sonda de temperatura recomendada para este horno. (para hornos suministrados con sonda de temperatura.)

31. ADVERTENCIA: El aparato y las partes accesibles se calientan durante el uso. Es necesario prestar atención para no tocar las resistencias. Mantenga alejados a los niños menores de 8 años salvo que sean supervisados continuamente.
32. El horno debe utilizarse con la puerta decorativa abierta. (para hornos con puerta decorativa.)
33. La superficie del cajón de almacenamiento puede calentarse.
34. El horno microondas sirve para calentar alimentos y bebidas. Secar en él alimentos o ropa, y calentar bolsas de agua caliente, zapatillas, esponjas, trapos húmedos y demás puede causar heridas o incendios.

**LÉALAS ATENTAMENTE Y GUÁRDELAS COMO REFERENCIA PARA EL FUTURO**

# Para reducir el riesgo de provocar lesiones a personas, ponga a tierra la instalación

## PELIGRO

Peligro de descarga eléctrica  
Si se toca alguno de los componentes internos se pueden sufrir lesiones personales graves o la muerte. No desmonte este aparato.

## ADVERTENCIA

Peligro de descarga eléctrica  
Un uso impropio de la puesta a tierra puede provocar una descarga eléctrica.  
No enchufe el aparato hasta que esté adecuadamente instalado y puesto a tierra.

Este aparato debe estar puesto a tierra. En caso de cortocircuito eléctrico, la puesta a tierra reduce el riesgo de descarga eléctrica mediante un hilo de escape para la corriente eléctrica. Este aparato está equipado con un cable que tiene un hilo de tierra con enchufe de conexión a tierra. El enchufe debe conectarse a una salida que esté adecuadamente instalada y puesta a tierra.

Consulte con un electricista cualificado o con personal de mantenimiento si no entiende adecuadamente las instrucciones de puesta a tierra o si tiene dudas de que la aplicación esté correctamente puesta a tierra. Si fuera necesario usar un cable alargador, use solo un cable alargador de tres hilos.

1. Se suministra un cable de alimentación corto para reducir el riesgo que puede derivarse de enredarse en o tropezarse con un cable más largo.
2. Si se usa un juego de cables largo o un cable alargador:
  - 1) El valor eléctrico marcado en el juego de cables o en el alargador debería ser tan alto como el valor eléctrico del aparato.
  - 2) El cable alargador debe ser un cable de tierra de tres hilos.
  - 3) El cable largo debería colocarse de tal manera que no cuelgue sobre la parte superior de la encimera o de la mesa ya que los niños podrían tirar de él o podría tropezarse con él fortuitamente.

# LIMPIEZA

Asegúrese de desconectar el aparato de la red de alimentación.

1. Después del uso, limpie la cavidad del horno con un trapo ligeramente humedecido.
2. Limpie los accesorios de a manera habitual con agua jabonosa.
3. El marco de la puerta, la junta y las partes adyacentes deben limpiarse cuidadosamente cuando estén sucias con un trapo húmedo.
4. No utilice limpiadores abrasivos ni raspadores metálicos con bordes afilados para limpiar el cristal de la puerta del horno ya que podrían arañar la superficie, lo que puede provocar que el cristal se rompa.
5. Consejo para la limpieza---para una más fácil limpieza de las paredes de la cavidad que puede tocar la comida cocinada: coloque medio limón en un cuenco, añada 300ml y caliente al 100% de la potencia del microondas durante 10 minutos. Pase un trapo suave y seco por el interior del horno.

# UTENSILIOS

## ADVERTENCIA

### **Peligro de lesiones personales**

Es peligroso que realicen operaciones y reparaciones técnicas que impliquen la extracción de las cubiertas que protegen de la exposición a la energía de microondas personas no competentes.

Vea las instrucciones en "Materiales que se pueden usar y que se deben evitar en un horno microondas." Hay algunos utensilios no metálicos que no es seguro usar en el microondas. Si tiene dudas, puede probar el utensilio en cuestión siguiendo el procedimiento abajo indicado.

Prueba del utensilio:

1. Rellene un contenedor que pueda usarse en el microondas con 250ml de agua fría e introdúzcalo en el microondas junto con el utensilio en cuestión.
2. Caliente a la máxima potencia durante 1 minuto.
3. Toque con cuidado el utensilio. Si el utensilio vacío está caliente, no lo use para cocinar en el microondas.
4. No supere el minuto de calentamiento.

## Materiales que puede usar en el horno microondas

Utensilios	Comentarios
Plato para dorar	Siga las instrucciones del fabricante. El fondo del plato para dorar debe estar al menos 5 mm por encima del plato giratorio. Un uso incorrecto podría causar la rotura del plato giratorio.
Vajilla	Solo la apta para microondas. Siga las instrucciones del fabricante. No use platos rajados o astillados.
Jarras de cristal	Quite siempre la tapa. Úselas solo para calentar la comida lo mínimo necesario. La mayoría de las jarras de cristal no son resistentes al calor y podrían romperse.
Cristalería	Solo cristalería resistente al calor del horno. Asegúrese de que no tenga bordes metálicos. No use platos rajados o astillados.
Bolsas para hornear	Siga las instrucciones del fabricante. No las cierre con hilo de metal. Haga cortes para dejar que salga el vapor.
Platos y vasos de papel	Úselos . No deje el horno sin vigilancia al cocinar.
Papel de cocina	Úselo para cubrir comida recalentada y para absorber la grasa. Úselo supervisando solo para cocciones/calentamientos breves.
Papel pergamino	Úselo como cubierta para evitar salpicaduras o para envolver en la cocción al vapor.
Plástico	Solo el apto para microondas. Siga las instrucciones del fabricante. Debería llevar la etiqueta "Apto para microondas". Algunos contenedores de plástico se ablandan cuando la comida en su interior se calienta. Las "bolsas para hervir" y las bosas de plástico firmemente cerradas deben perforarse para permitir la salida del vapor.
Plástico para envolver	Solo el apto para microondas. Use para cubrir comida durante la cocción para conservar la humedad. No permite que el plástico para envolver toque la comida.
Termómetros	Solo los aptos para microondas (termómetros de azúcar o para carne).
Papel encerado	Úselo para evitar salpicaduras y conservar la humedad.

## Materiales que deben evitarse en un horno microondas

Utensilios	Comentarios
Bandeja de aluminio	Podría causar chispas. Coloque la comida en un plato apto para microondas.
Caja de cartón con asas de metal	Podría causar chispas. Coloque la comida en un plato apto para microondas.
Utensilios de metal o con adornos de metal	El metal protege la comida contra la energía microondas. Los adornos de metal podrían causar chispas.
Atadores de alambre de metal	Podrían causar chispas y fuego en el microondas.
Bolsas de papel	Podrían causar fuego en el microondas.
Espuma de plástico	La espuma de plástico podría derretirse o contaminar el líquido de su interior cuando se expone a altas temperaturas.
Madera	La madera se seca cuando se usa en un horno microondas y podría romperse o rajarse.

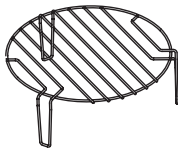
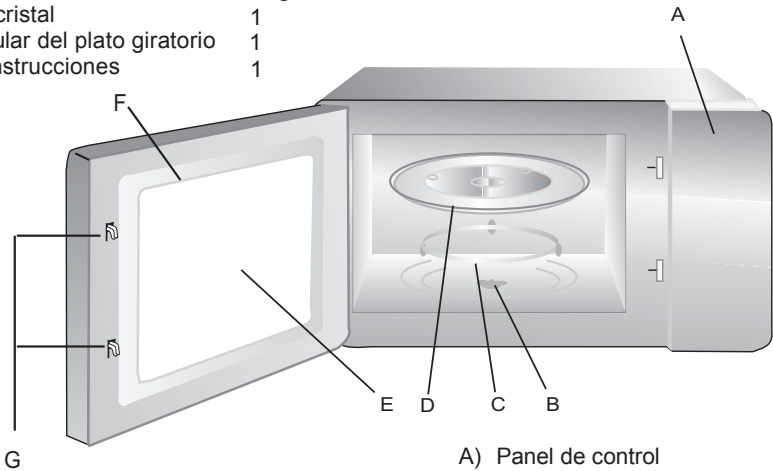
# MONTAJE DEL HORNO

## Nombres de las partes y accesorios del horno

Extraiga el horno y todos los materiales de la caja y de la cavidad del horno.

Su horno se vende con los accesorios siguientes:

Bandeja de cristal	1
Soporte circular del plato giratorio	1
Manual de instrucciones	1



Parrilla (se usa solo en la función grill y debe colocarse sobre la bandeja de cristal)

- A) Panel de control
- B) Eje del plato giratorio
- C) Soporte circular del plato giratorio
- D) Bandeja de cristal
- E) Ventana de observación
- F) Soporte de la puerta
- G) Sistema de bloqueo de seguridad

## Instalación del plato giratorio

Cubo central (cara de abajo)

Bandeja de cristal

Plato giratorio

Soporte circular del plato giratorio

- a. No coloque nunca al revés la bandeja de cristal. No bloquear nunca la bandeja de cristal.
- b. Tanto la bandeja de plástico como el soporte circular del plato giratorio deben usarse siempre durante la cocción.
- c. Todos los alimentos y contenedores de alimentos deben colocarse siempre para la cocción sobre la bandeja de plástico.
- d. Si la bandeja de cristal o el soporte circular del plato giratorio se agrietan o se rompen, póngase en contacto con su centro de servicio más cercano.

## Instalación y conexión

1. Este aparato ha sido diseñado solo para uso doméstico.
2. Este horno ha sido diseñado solo para uso empotrado. No debe colocarse sobre la encimera o dentro de un armario.
3. Por favor, respete las instrucciones de instalación especiales.
4. El aparato puede instalarse en un armario montado en la pared de 60cm de ancho.
5. La aplicación está dotada de un enchufe y debe instalarse solo a una toma adecuadamente puesta a tierra.
6. La tensión de alimentación debe corresponder con la tensión indicada en la placa de características.
7. La toma debe estar instalada y el cable de conexión solo puede ser sustituido por un electricista cualificado. Si después de la instalación ya no puede accederse al enchufe, debe haber un interruptor de corte omnipolar en el lado de instalación con una distancia entre contactos de al menos 3mm.
8. No deben usarse adaptadores, multiplicadores ni cables de extensión. Una sobrecarga podría generar un riesgo de incendio.

**La superficie accesible no debe estar caliente durante el funcionamiento.**





# Instrucciones de instalación

Por favor, antes de la instalación, lea atentamente el manual

## Nota

### Conexión eléctrica

El horno está dotado de un enchufe y debe instalarse solo a una toma adecuadamente puesta a tierra. La toma debe estar instalada y el cable de conexión solo puede ser sustituido por un electricista cualificado y de acuerdo con las normas correspondientes.

Si después de la instalación ya no puede accederse al enchufe, debe haber un interruptor de aislamiento omnipolar en el lado de instalación con una distancia entre contactos de al menos 3mm.

El armario no debe tener una pared detrás de la aplicación.

Debe mantenerse un espacio entre la pared y la base de la unidad.

La medida específica del espacio puede consultarse en los diagramas.

Altura de instalación mínima: 85 cm

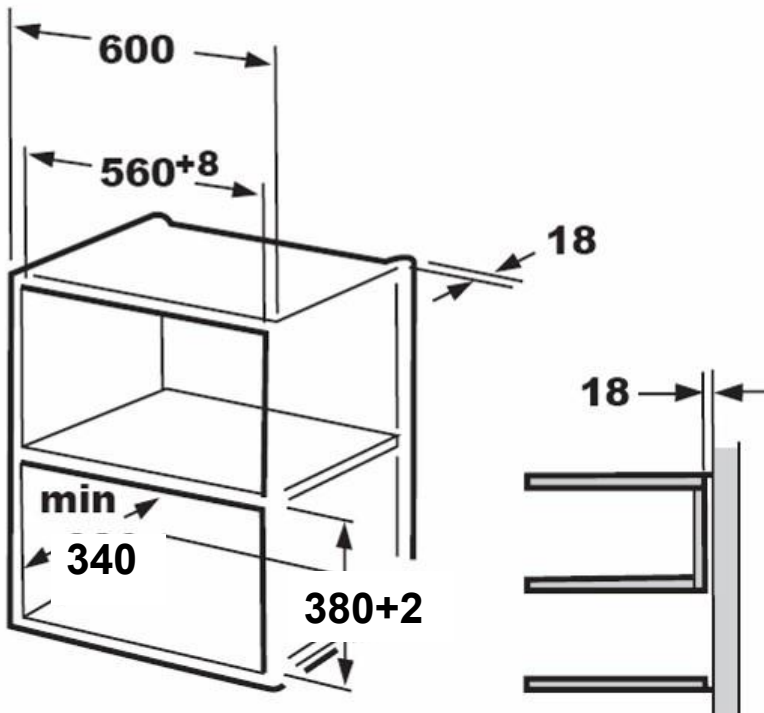
No cubra las rendijas de ventilación ni los orificios de aspiración.

### Nota:

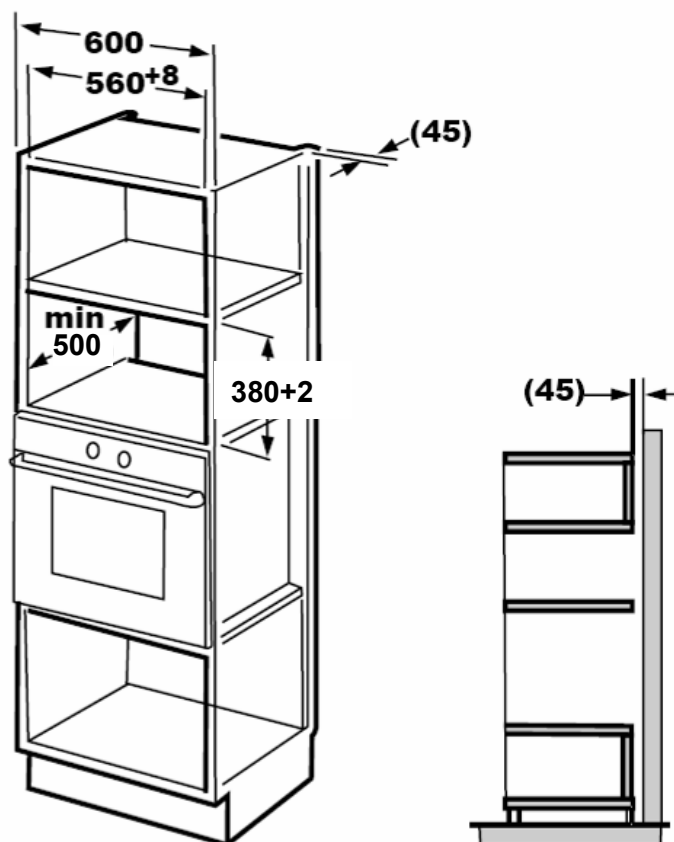
No bloquee ni doble el cable de alimentación.

No lo utilice bajo la superficie de trabajo y no vierta del recipiente sobre la superficie donde está instalado el equipo.

1.



2.

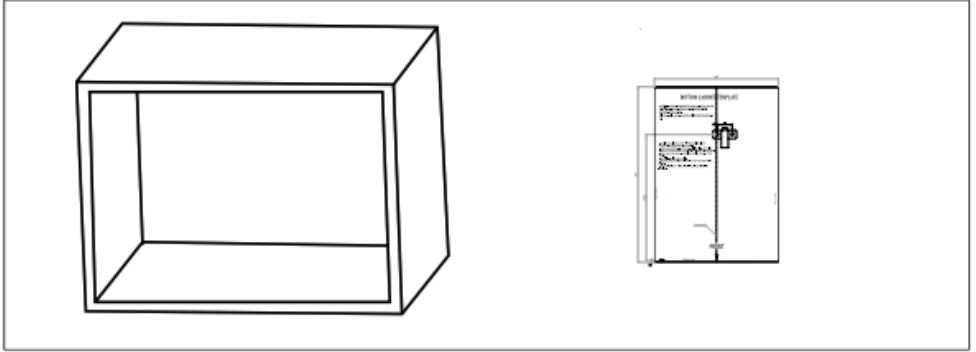


**Nota:**

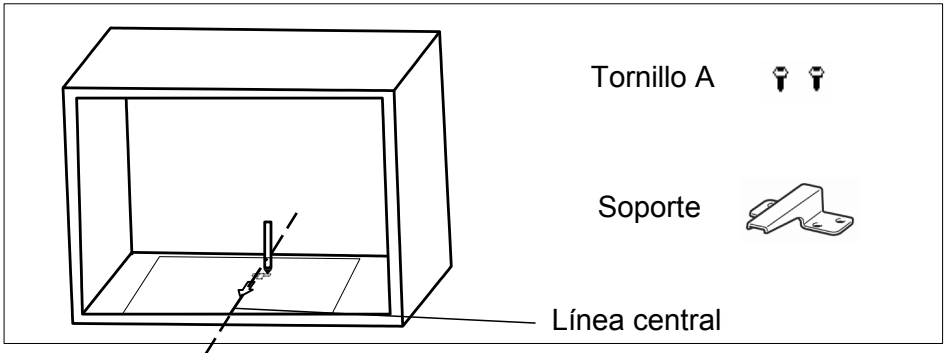
El soporte y la plantilla inferior del armario se necesitan al realizar ambas instalaciones.

## B. Prepare el armario

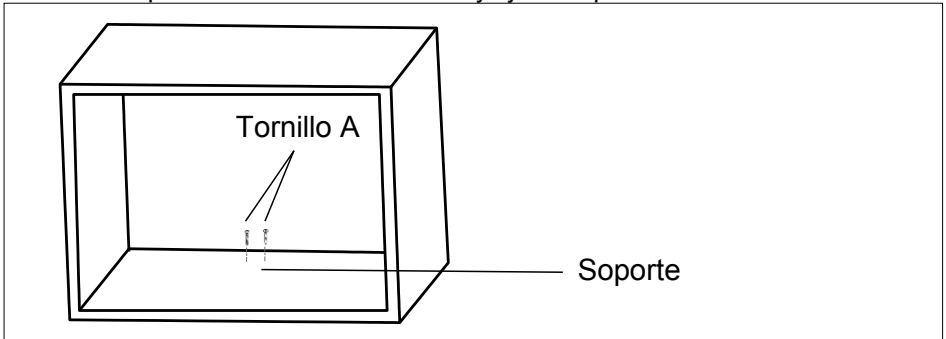
1. Lea las instrucciones en la PLANTILLA INFERIOR DEL ARMARIO, coloque la plantilla en el plano inferior del armario.



2. Realice marcas en el plano inferior del armario de acuerdo con las marcas "a" de la plantilla



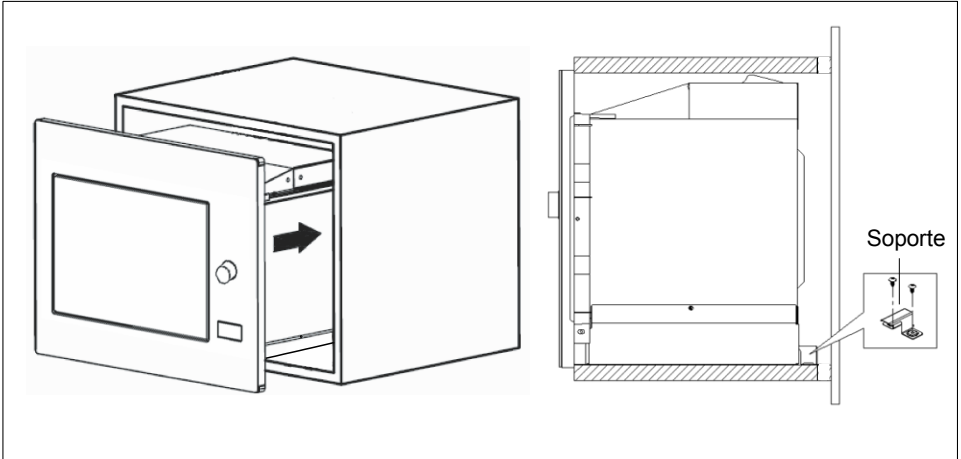
3. Retire la plantilla inferior del armario y fije el soporte con el tornillo A.



## C. Instale el horno

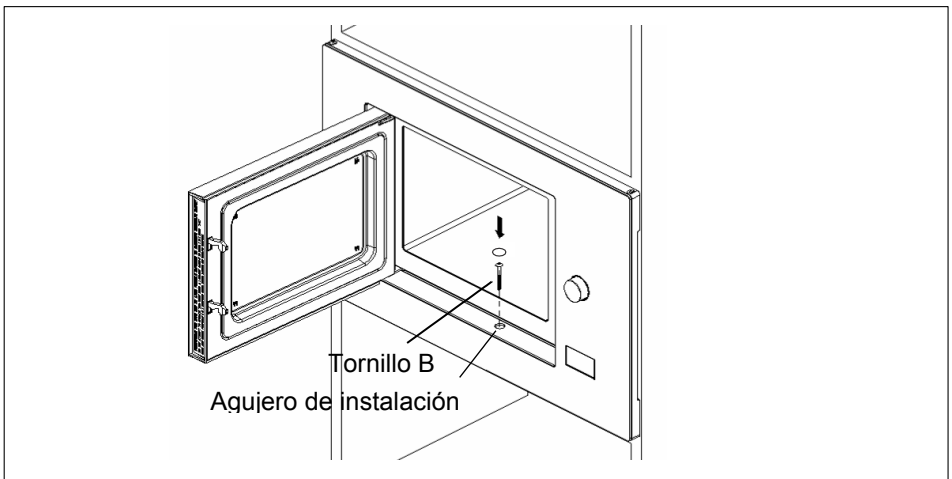
### 4. Instale el horno en el armario

- Asegúrese de que la parte posterior del armario está bloqueada por el soporte.
- No retuerza ni doble el cable de alimentación.

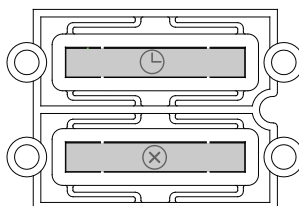
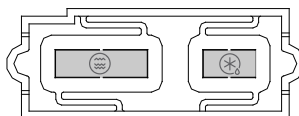
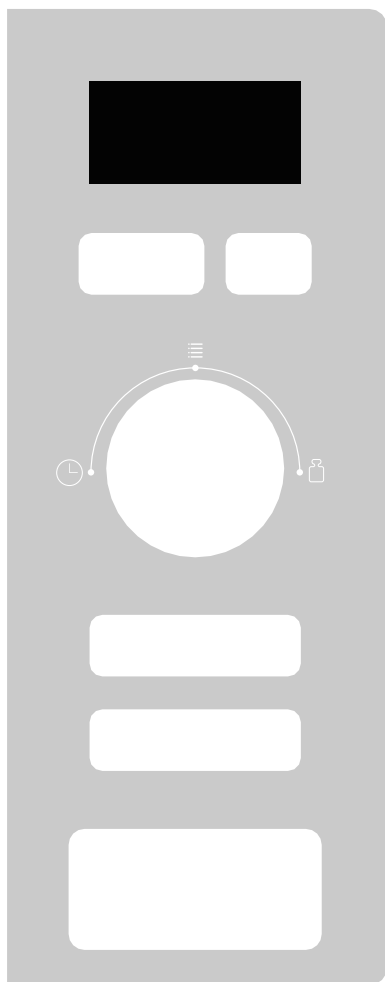


### 5. Abra la puerta, fije el horno al armario con el tornillo B, en el orificio de instalación.






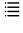

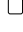
Después, fije la cubierta de plástico Trim-kit al orificio de instalación.



# Panel de control



## Instruction:

	Micro./ Grill/Combi.		Weight/Time Defrost
	Kitchen Timer/ Clock		Stop/Clear
	Start/ +30Sec./Confirm		Auto Menu
	Time		Weight


# Instrucciones de uso

## 1. Ajuste del reloj

Cuando el horno microondas esté conectado, la pantalla mostrará «0:00» y el timbre sonará una vez.

1) Presione "Kitchen Timer/Clock" (Reloj/temporizador cocina) dos veces para seleccionar la función reloj, las cifras de la hora parpadearán.

---

2) Gire "  " para ajustar las cifras de la hora, el número introducido puede ir del 0 al 23.

---

3) Presione "Kitchen Timer/Clock" (Reloj/temporizador cocina), las cifras de los minutos parpadearán.

---

4) Gire "  " para ajustar las cifras de los minutos, el número introducido puede ir del 0 al 59.


---


5) Presione "Kitchen Timer/Clock" (Reloj/temporizador cocina) para finalizar el ajuste del reloj. ":" parpadeará y se iluminará la hora.

- Nota:**
- 1) Si el reloj no está programado, no funcionará al ponerlo en marcha.
  - 2) Durante el proceso de programación del reloj, si pulsa "Stop/Clear" (Detener/Anular), el horno volverá automáticamente al estado previo.

## 2. Cocción con el microondas


Presione "Micro./Grill/Combi." una vez, la pantalla mostrará "P100". Presione "Micro./Grill/Combi."

repetidamente o gire "  " para seleccionar la potencia que desea, y "P100", "P 80", "P 50", "P 30", "P 10", "G", "C-1" o "C-2" se mostrará por cada presión. A continuación pulse "Start/+30Sec./Confirm"

(Inicio/+30seg./Confirm) para confirmar y gire "  " para ajustar el tiempo de cocción de 0:05 a 95:00. Presione "Start/+30Sec./Confirm" (Inicio/+30seg./Confirm) de nuevo para iniciar la cocción. Ejemplo: Si quiere utilizar una potencia de microondas al 80% para cocinar durante 20 minutos, puede poner el horno en funcionamiento tal como se describe a continuación:

1) Presione "Micro./Grill/Combi." una vez, la pantalla mostrará "P100".

---

2) Presione "Micro./Grill/Combi." una vez más o gire "  " para elegir el 80% de potencia del microondas.

---

3) Presione "Start/+30Sec./Confirm" (Inicio/+30seg./Confirm) para confirmar, y la pantalla muestra "P 80".

---

4) Gire "  " para ajustar el tiempo de cocción hasta que el horno muestre "20:00".

---

5) Presione "Start/+30Sec./Confirm" (Inicio/+30seg./Confirm) para iniciar la cocción.


**Nota:** las cantidades de paso para el tiempo de ajuste del interruptor de codificación son las siguientes:


- 0---1 min : 5 segundos
- 1---5 min : 10 segundos
- 5---10 min : 30 segundos
- 10---30 min : 1 minuto
- 30---95 min : 5 minutos

"Micro./Grill/Combi." Orden	Instrucciones del panel Pantalla	Microondas Potencia	Grill Potencia
1	P100	100%	
2	P 80	80%	
3	P 50	50%	
4	P 30	30%	
5	P 10	10%	
6	G	0%	100%
7	C-1	55%	45%
8	C-2	36%	64%

### 3. Grill o Combi. Cocción

Presione una vez "**Micro./Grill/Combi.**", la pantalla mostrará "P100", y presione


"**Micro./Grill/Combi.**" repetidamente o gire " " para seleccionar la potencia que desea, y "P100", "P 80", "P 50", "P 30", "P 10", "G", "C-1" o "C-2" se mostrará cada vez que se presiona. A continuación pulse "**Start/+30Sec./Confirm**" (Inicio/+30seg./Confirm) para confirmar y gire "

 para ajustar el tiempo de cocción de 0:05 a 95:00 Presione "**Start/+30Sec /Confirm**" (Inicio/+30seg./Confirm) de nuevo para empezar la cocción.

Ejemplo: Si quiere utilizar una potencia de microondas al 55 % y una potencia de grill al 45 % para cocinar durante 10 minutos, puede poner el horno en funcionamiento tal como se describe a continuación.

- 1) Presione "**Micro./Grill/Combi.**" una vez, la pantalla mostrará "P100".


---

- 2) Presione "**Micro./Grill/Combi.**" seis veces o gire " " para seleccionar combi. 1 modo.

---

- 3) Presione "**Start/+30Sec./Confirm**" (Inicio/+30seg./Confirm) para confirmar, y la pantalla muestra "C -1".

---


- 4) Gire " " para ajustar el tiempo de cocción hasta que el horno muestre "10:00".

---

- 5) Presione "**Start/+30Sec./Confirm**" (Inicio/+30seg./Confirm) para iniciar la cocción.


**Nota:** Si pasa la mitad del tiempo de grill, el horno emite dos sonidos, y esto es normal. Para que su comida quede mejor, debería darle la vuelta y cerrar la puerta, y luego pulsar "**Start/+30Sec./Confirm**" (Inicio/+30seg./Confirm) para seguir cocinando. Si no hace nada, el microondas seguirá funcionando.

#### 4. Inicio rápido

- 1) En posición de espera, pulse "**Start/+30Sec./Confirm**" (Inicio/+30seg./Confirm) para iniciar 30 segundos de cocción al 100% de potencia, cada vez que lo pulse, el tiempo aumentará 30 segundos hasta un máximo de 95 minutos.
- 2) En microondas, grill, cocción combinada o descongelación, cada vez que se pulse "**Start/+30Sec./Confirm**" (Inicio/+30seg./Confirm) se aumentan 30 segundos de tiempo de cocción.
- 3) En el estado de espera, gire " " a la izquierda para ajustar el tiempo de cocción a una potencia del microondas del 100%. Después de seleccionar el tiempo de cocción, presione "**Start/+30Sec./Confirm**" (Inicio/+30seg./Confirm) para iniciar la cocción.

#### 5. Descongelar por peso


- 1) Presione "**Weight/Time Defrost**" (Descongelación por peso/tiempo) una vez, y el horno mostrará "dEF1".

- 
- 2) Gire " " para seleccionar el peso de la comida, de 100 a 2000 g.

- 
- 3) Presione "**Start/+30Sec./Confirm**" (Inicio/+30seg./Confirm) para iniciar la descongelación.

#### 6. Descongelación por tiempo


- 1) Presione "**Weight/Time Defrost**" (Descongelación por peso/tiempo) dos veces, y el horno mostrará "dEF2".

- 
- 2) Gire " " para seleccionar el tiempo de descongelación. El tiempo máximo es de 95 minutos.

- 
- 3) Presione "**Start/+30Sec./Confirm**" (Inicio/+30seg./Confirm) para iniciar la descongelación. La potencia de descongelación es P 30, y no se debe cambiar.




## 7. Temporizador de cocina

- (1) Presione **"Kitchen Timer/Clock"** (Reloj/temporizador cocina) una vez, la pantalla mostrará 00:00.
- (2) Gire " " para introducir el tiempo correcto. (El tiempo máximo de cocción es de 95 minutos.)
- (3) Presione **"Start/+30Sec./Confirm"** (Inicio/+30seg./Confirm) para confirmar el ajuste.
- (4) Cuando se alcance el Tiempo de cocina, el timbre sonará 5 veces.

Si el reloj está programado (sistema 24 horas), la pantalla mostrará la hora actual.

Nota: El tiempo de cocina es diferente del sistema 24 horas. El temporizador de cocina es un temporizador.


## 8. Auto Menú

- (1) Gire " " hacia la derecha para elegir el menú, y se mostrará de "A-1" a "A-8".

---

- (2) Presione **"Start/+30Sec./Confirm"** (Inicio/+30seg./Confirm) para confirmar.


---

- (3) Gire " " para elegir el peso predeterminado según el gráfico del menú.

---

- (4) Presione **"Start/+30Sec./Confirm"** (Inicio/+30seg./Confirm) para iniciar la cocción.


Ejemplo: Si quiere utilizar "Auto Menu" (Auto Menú) para cocinar pescado de 350 g.

- (1) Gire " " en la dirección de las manillas del reloj hasta que se muestre "A-6".

---

- (2) Presione **"Start/+30Sec./Confirm"** (Inicio/+30seg./Confirm) para confirmar.

---

- (3) Gire " " para seleccionar el peso del pescado hasta que se muestre "350".

---

- (4) Presione **"Start/+30Sec./Confirm"** (Inicio/+30seg./Confirm) para iniciar la cocción.

El gráfico del menú:

Menu	Peso	Pantalla
A-1	200 g	200
Pizza	400 g	400
A-2	250 g	250
Carne	350 g	350
	450 g	450
A-3	200 g	200
Verduras	300 g	300
	400 g	400
	50 g (con 450g de agua fría)	50
A-4	100 g (con 800g de agua fría)	100
Pasta		
A-5	200 g	200
Patatas	400 g	400
	600 g	600
A-6	250 g	250
Pescado	350 g	350
	450 g	450
A-7	1 taza (120 ml)	1
Bebidas	2 tazas (240 ml)	2
	3 tazas (360 ml)	3
A-8	50 g	50
Popcorn	100 g	100

## 9. Cocción multiprograma

Pueden introducirse como máximo 2 programas de cocción. En una cocción multiprograma, si uno de los programas es descongelar, este deberá ser automáticamente el primero.


Ejemplo: Si quiere descongelar comida durante 5 minutos y después cocinar con una potencia de microondas del 80% durante 7 minutos, haga lo siguiente:

- 1) Presione "**Weight/Time Defrost**" (Descongelación por peso/tiempo) dos veces, y el horno mostrará "dEF2".
- 



- 2) Gire " " para seleccionar el tiempo de descongelación hasta que aparezca "5:00".
- 

- 3) Presione "**Micro./Grill/Combi.**" una vez, la pantalla mostrará "P100".
- 

- 4) Presione "**Micro./Grill/Combi.**" una vez más o gire " " para elegir el 80% de potencia del microondas.
- 

- 5) Presione "**Start/+30Sec./Confirm**" (Inicio/+30seg./Confirm) para confirmar, y la pantalla muestra "P 80".
- 



- 6) Gire " " para ajustar el tiempo de cocción hasta que el horno muestre "7:00".
- 

- 7) Presione "**Start/+30Sec./Confirm**" (Inicio/+30seg./Confirm) para iniciar la cocción, y el timbre sonará una vez para el primer programa, el tiempo de descongelación empieza la cuenta atrás. El timbre volverá a sonar cuando empiece el segundo programa de cocción. Cuando termine la cocción, el timbre sonará cinco veces seguidas.

## 10. Función de solicitud

- (1) Cuando el horno esté cocinando en microondas, grill y combi, pulse "**Micro./Grill/Combi.**", y la potencia actual se mostrará durante 3 segundos. Al cabo de 3 segundos, el microondas volverá al estado anterior.
- (2) Cuando el microondas esté cocinando, pulse "**Kitchen Timer/Clock**" (Reloj/temporizador cocina) para solicitar la hora y la hora se mostrará durante 3 segundos.

## 11. Función de bloqueo de seguridad para niños

Bloqueo: En estado de espera, pulse "**Stop/Clear**" (Detener/Anular) durante 3 segundos, oírás una señal acústica larga que indicará la activación del bloqueo para niños. ➔ se iluminará y se mostrará el tiempo actual si se ha ajustado el tiempo. De lo contrario, la pantalla mostrará " [ : ] : ] ".

Desactivación del cierre: En estado de bloqueo, pulse "**Stop/Clear**" (Detener/Anular) durante 3 segundos, oírás una señal acústica larga que indicará la desactivación del bloqueo.

## Resolución de problemas

Normal	
El horno microondas interfiere con la recepción de TV	La recepción de radio y TV podría resultar interferida cuando el microondas está funcionando. Es similar a la interferencia de pequeñas aplicaciones eléctricas, como una batidora, un aspirador o un ventilador eléctrico. Es normal.
Luz tenue del horno	En la cocción en microondas a baja potencia, la luz podría volverse tenue. Es normal.
Acumulación de vapor en la puerta, el aire caliente no dispone de respiraderos	Al cocinar, podría salir vapor de los alimentos. La mayor parte de él saldrá por los respiraderos. Pero una parte podría acumularse en lugares frescos, como la puerta del horno. Es normal.
El horno se pone en marcha accidentalmente sin comida en él.	Está prohibido hacer funcionar la unidad sin comida dentro. Es peligroso.

Problema	Causa posible	Solución
El horno no se puede encender.	(1) El cable no está enchufado adecuadamente.	Desconecte. Vuelva a intentar 10 segundos después.
	(2) Fusible fundido o interruptor de circuito en funcionamiento.	Sustituya el fusible o restablezca el interruptor de circuito (reparado por personal profesional de nuestra empresa)
	(3) Problema con la salida.	Pruebe la salida con otras aplicaciones eléctrica.
El horno no calienta.	(4) Puerta no bien cerrada.	Cierre bien la puerta.



De acuerdo con la Directiva de Residuos de Equipos Eléctricos y Electrónicos (WEEE), estos residuos deben recogerse y tratarse por separado. Si en el futuro necesita eliminar este producto, por favor, NO lo haga junto con los residuos domésticos. Por favor, envíe este producto a centros de recogida de Equipos Eléctricos y Electrónicos.

## INFORMATIONS SUR LA SÉCURITÉ

Veillez lire attentivement le manuel d'utilisation et les informations sur la sécurité avant d'utiliser le four.

Conservez ce manuel pour référence ultérieure.

Le fabricant ne peut être tenu pour responsable des dommages consécutifs à une mauvaise installation ou à une utilisation incorrecte, non conforme ou abusive de l'appareil.

La sécurité électrique du four n'est garantie que s'il est branché à un système de mise à la terre conformément aux réglementations en vigueur.

Pour assurer un fonctionnement efficace et sûr de cet appareil électrique :

- Contacter uniquement les centres de maintenance agréés.
- Ne pas modifier les fonctionnalités de l'appareil.

Cet appareil peut être utilisé par des enfants âgés de plus de 8 ans et des personnes ayant des capacités physiques, sensorielles ou mentales réduites ou un manque d'expérience et de connaissances, si elles sont surveillées ou formées à l'utilisation de l'appareil, d'une manière sûre et si elles comprennent les risques impliqués. Ne laissez pas les enfants jouer avec l'appareil. Le nettoyage et la maintenance par l'utilisateur ne doivent pas être effectués par des enfants sans surveillance.

Cet appareil n'est pas un jouet.

Ne pas laisser les enfants sans surveillance à proximité de l'appareil.

Ne pas autoriser les enfants à toucher à l'appareil ou à ses commandes pendant l'utilisation et immédiatement après.

**ATTENTION** : afin d'éviter un risque dû à une réinitialisation erronée du thermorupteur, cet appareil ne doit pas être alimenté via un appareil de connexion externe, comme un minuteur ou bien connecté à un circuit régulièrement mis en et hors service par la société d'approvisionnement en électricité.

S'assurer que l'appareil est installé de manière à permettre son débranchement de l'alimentation électrique, avec une distance d'ouverture des contacts garantissant une déconnexion complète dans les conditions de surtension de catégorie III. Les moyens de déconnexion doivent être incorporés dans le câblage fixe conformément aux règles de câblage.

Utiliser uniquement la sonde de température recommandée pour ce four.

N'installez pas l'appareil derrière une porte décorative afin d'éviter toute surchauffe.

**Risque de brûlures !**

L'appareil chauffe pendant son utilisation. Faire attention à ne pas toucher les éléments chauffants dans le four.

Les enfants de moins de 8 ans doivent être tenus à l'écart de l'appareil, à moins d'être sous surveillance constante.

**Risque de brûlures !**

L'extrémité de la poignée peut être brûlante à cause de l'air chaud évacué.

Toujours s'assurer que les boutons de commande sont en position OFF (éteinte) quand le four n'est pas en cours d'utilisation.

**ATTENTION** : s'assurer que l'appareil est hors tension avant de remplacer l'ampoule pour éviter tout risque d'électrocution.

Ne pas utiliser de détergents abrasifs ou raclettes métalliques pour nettoyer la vitre de la porte du four / la vitre des couvercles à charnière de la plaque (le cas échéant), car cela risquerait de rayer la surface et causer la dégradation du verre.

Ne pas utiliser de nettoyeurs à vapeur ni de jets d'eau directs.

Si le câble d'alimentation est endommagé, il doit être remplacé par le fabricant, son technicien agréé ou toute autre personne ayant une qualification semblable afin d'éviter tout risque.

# PRÉCAUTIONS DESTINÉES À ÉVITER TOUTE SUREXPOSITION AUX MICRO-ONDES

(a) Ne tentez pas de faire fonctionner le four avec la porte ouverte : cela pourrait provoquer une exposition dangereuse à l'énergie des micro-ondes. Il est important de ne pas endommager le système de verrouillage.

(b) Ne placez aucun objet entre l'avant du four et la porte et ne laissez aucun résidu d'aliment ou de produit nettoyant s'accumuler sur les surfaces assurant l'étanchéité.

(c) AVERTISSEMENT : Si la porte ou le joint de la porte du four est endommagé(e), n'utilisez plus l'appareil et faites-le réparer par un technicien spécialisé.

## ADDENDUM

Si l'appareil n'est pas maintenu propre, cela peut entraîner la détérioration de la surface : la durée de vie de l'appareil pourra en être affectée et provoquer des situations de danger.

## Caractéristiques

Modèle :	FMW 20 SMP G XS / FSL 20 MW XS / FSL 20 MW BK
Tension nominale :	230 V ~ 50 Hz
Puissance nominale d'entrée (Micro-ondes) :	1250 W
Puissance nominale de sortie (Micro-ondes) :	800 W
Puissance nominale (Gril) :	1000 W
Capacité du four :	20L
Diamètre du plateau tournant :	Ø245mm
Dimensions extérieures :	595x343,5x388mm
Poids net :	Env. 15 kg

### CONSOMMATION D'ÉLECTRICITÉ

Informations sur le produit concernant la consommation d'électricité et le temps maximum pour atteindre le mode de faible consommation applicable.

---

Mode veille	0,8 W
-------------	-------

---

Temps maximum nécessaire pour que le four à micro-ondes atteigne automatiquement le mode ou l'état de faible consommation applicable.	20 minutes
---	------------

---



# CONSIGNES DE SÉCURITÉ IMPORTANTES

Afin de réduire les risques d'incendie, de choc électrique, de blessures corporelles ou d'exposition excessive aux micro-ondes, nous vous invitons à observer scrupuleusement les précautions de base, de même que les recommandations énoncées ci-après.

1. Avertissement : Les liquides ou d'autres aliments ne doivent pas être réchauffés dans des récipients hermétiques; ils pourraient exploser.
2. Avertissement : Il est dangereux pour quiconque n'est pas un technicien spécialisé d'assurer le service après-vente ou d'effectuer des opérations impliquant le démontage des panneaux de protection contre l'exposition à l'énergie des micro-ondes.
3. Cet appareil peut être utilisé par des enfants âgés de plus de 8 ans et des personnes ayant des capacités physiques, sensorielles ou mentales réduites ou un manque d'expérience et de connaissances, si elles sont surveillées ou formées à l'utilisation de l'appareil, d'une manière sûre et si elles comprennent les risques impliqués. Ne laissez pas les enfants jouer avec l'appareil. Les opérations de nettoyage et d'entretien quotidien ne doivent pas être réalisées par un enfant, à moins qu'il ait plus de 8 ans et qu'une personne responsable en assure la surveillance.
4. Tenez l'appareil et son cordon hors de portée des enfants de moins de 8 ans.
5. Utilisez exclusivement des ustensiles adaptés pour la cuisson aux micro-ondes.
6. Il est important de nettoyer le four régulièrement et d'éliminer tous les résidus d'aliments présents.
7. Il convient de lire et de respecter ce qui suit : « PRÉCAUTIONS DESTINÉES À ÉVITER TOUTE SUREXPOSITION AUX MICRO-ONDES ».
8. Lorsque vous réchauffez des aliments dans un récipient en plastique ou en papier, surveillez constamment le four car ces matériaux peuvent s'enflammer.

9. Si vous apercevez de la fumée, éteignez ou débranchez l'appareil et laissez la porte fermée afin d'étouffer les flammes qui pourraient se développer.
10. Ne cuisez pas les aliments de façon excessive.
11. N'utilisez pas la cavité du four à des fins de rangement. Ne rangez pas du pain, des biscuits, etc. dans le four.
12. Enlevez les fermetures/poignées métalliques des récipients/sachets en papier ou en plastique avant de les placer dans le four.
13. Installez le four en respectant les instructions relatives fournies.
14. N'utilisez pas le four à micro-ondes pour cuire ou réchauffer des œufs entiers ou des œufs durs ; ils pourraient exploser même si la cuisson est terminée.
15. Cet appareil est destiné à un usage domestique et peut aussi être utilisé dans les endroits suivants :
- cuisines pour le personnel dans les magasins, bureaux et autres environnements de travail ;
  - par les clients dans les hôtels, motels, et autres résidences similaires;
  - dans les fermes;
  - les chambres d'hôtes.
16. Si le cordon d'alimentation est abîmé, faites-le remplacer par le fabricant ou par un représentant du Service Après-vente, ou par toute autre personne qualifiée afin d'éviter tout danger.
17. N'entrez pas ou n'utilisez pas cet appareil à l'extérieur.
18. N'utilisez pas cet appareil sur un sol humide ou à proximité d'une piscine ou d'eau en général.
19. La température des surfaces accessibles peut être élevée lorsque l'appareil est en service. Les surfaces sont susceptibles d'atteindre des températures élevées pendant l'utilisation de l'appareil. Maintenez le cordon d'alimentation éloigné de la surface chaude ; veillez à ne pas obstruer les ouvertures de ventilation du four.

20. Ne laissez pas le câble d'alimentation pendre au-dessus du bord de la table ou du plan de travail.
21. Si la propreté du four n'est pas maintenue, une détérioration de la surface est susceptible de se produire, ce qui affecterait la durée de vie de l'appareil et risquerait de provoquer une situation dangereuse.
22. Le contenu des biberons et des petits pots pour bébé doit être mélangé ou brassé, et la température vérifiée avant la consommation pour éviter des brûlures.
23. Réchauffer des breuvages dans le four à micro-ondes peut causer une soudaine ébullition, soyez donc prudent lorsque vous manipulez le récipient.
24. Les personnes (y compris les enfants) qui, en raison de leurs capacités physiques, sensorielles ou mentales, de leur inexpérience ou de leur méconnaissance, ne sont pas en mesure d'utiliser l'appareil en toute sécurité, doivent se servir de celui-ci uniquement sous la surveillance ou avec les instructions d'une personne responsable.
25. Empêchez les enfants de jouer avec l'appareil.
26. Cet appareil n'a pas été conçu pour être mis en marche par un minuteur ou un système de gestion à distance.
27. Les pièces accessibles peuvent devenir chaudes pendant le fonctionnement. Tenez les jeunes enfants à l'écart de l'appareil.
28. N'utilisez en aucun cas un nettoyeur à vapeur.
29. L'appareil devient chaud lorsqu'il est en service. Évitez de toucher les résistances dans la cavité du four.
30. Utilisez uniquement la sonde de température recommandée pour ce four. (pour les fours dotés d'une installation permettant d'utiliser une sonde de détection de température.)

31. AVERTISSEMENT : L'appareil, ainsi que ses parties accessibles, peuvent atteindre température élevée lors de l'utilisation. Évitez tout contact avec les éléments chauffants. Les enfants de moins de 8 ans doivent être tenus à l'écart de l'appareil, à moins d'être sous surveillance constante.

32. Le four à micro-ondes doit être utilisé avec la porte décorative ouverte. (pour les fours dotés d'une porte décorative.)

33. La surface du tiroir de rangement peut devenir chaude.

34. Le four à micro-ondes est conçu pour réchauffer la nourriture et les breuvages. Le séchage d'aliments ou de textiles et le chauffage de coussins chauffants, de chaussons, d'éponges, de serviettes humides et autres articles similaires peut être à l'origine de blessures, d'une ignition ou d'un incendie.

**LISEZ ATTENTIVEMENT LES PRÉSENTES CONSIGNES ET  
CONSERVEZ-LES POUR RÉFÉRENCE ULTÉRIEURE**

## **Afin de réduire le risque de blessures corporelles installation de mise à la terre**

### **DANGER**

Risque d'électrocution Tout contact avec des composants intérieurs peut entraîner de graves blessures corporelles, voire la mort. Ne démontez pas l'appareil.

### **AVERTISSEMENT**

Risque d'électrocution Toute utilisation abusive de la fiche de mise à la terre peut comporter un risque d'électrocution.

Ne branchez l'appareil qu'après l'avoir installé et relié à la terre comme il se doit.

Cet appareil doit être relié à la terre. En cas de court-circuit éventuel, la mise à la terre permettra de réduire le risque d'électrocution en fournissant une voie d'évacuation du courant électrique.

Cet appareil est muni d'un cordon d'alimentation pourvu d'un conducteur et d'une fiche de mise à la terre. La fiche doit être insérée dans une prise appropriée, installée et reliée à la terre conformément aux codes et règlements en vigueur dans le pays d'installation.

Si vous avez des doutes à ce sujet, faites appel à un électricien qualifié ou à un professionnel agréé pour vous en assurer.

Si l'utilisation d'une rallonge s'avère nécessaire, utilisez uniquement une rallonge trois fils.

1. Un cordon d'alimentation plus court est fourni pour réduire les risques d'emmêlement ou de trébuchement que pourrait comporter la présence d'un cordon trop long.

2. Si vous utilisez un long cordon connecteur ou une rallonge :

1) Les caractéristiques électriques nominales du cordon connecteur ou de la rallonge doivent être au moins aussi puissantes que les valeurs figurant sur la plaque signalétique de l'appareil.

2) La rallonge doit être du type à trois fils avec mise à la terre.

3) Disposez le long cordon connecteur de façon à ce qu'il ne passe pas par-dessus le plan de travail ou la table : des enfants pourraient tirer dessus ou trébucher accidentellement sur le cordon.

# NETTOYAGE

Assurez-vous de débrancher l'appareil de l'alimentation électrique.

1. Nettoyez la cavité du four à l'aide d'un linge légèrement humide.
2. Nettoyez les accessoires dans une solution d'eau savonneuse.
3. Nettoyez soigneusement le cadre de la porte, le joint et les parties situées à proximité de ces éléments à l'aide d'un linge humide chaque fois que cela s'avère nécessaire.
4. N'utilisez en aucun cas des produits abrasifs ou des grattoirs métalliques tranchants pour nettoyer la vitre du four, car ils peuvent rayer la surface et, à la longue, briser le verre.
5. Astuce pour le nettoyage - Pour un nettoyage plus facile des parois de la cavité que les aliments cuits peuvent toucher : Placez un demi-citron dans un bol, ajoutez 300 ml (1/2 pinte) d'eau et chauffez à la puissance maximale du micro-ondes pendant 10 minutes. Essuyez le four en utilisant un chiffon doux et sec.

# USTENSILES

## ATTENTION

### Risque de blessures corporelles

Il est dangereux pour quiconque n'est pas un technicien spécialisé d'assurer le service après-vente ou d'effectuer des opérations impliquant le démontage des panneaux de protection contre l'exposition à l'énergie des micro-ondes.

Reportez-vous aux instructions relatives aux "Matériaux que vous pouvez utiliser dans un four micro-ondes et matériaux à éviter". Certains ustensiles non métalliques peuvent s'avérer dangereux lorsqu'ils sont utilisés dans un micro-ondes. En cas de doute, il vous est possible de tester l'ustensile en question en procédant comme décrit ci-après.

Pour tester l'ustensile de cuisson :

1. Versez 250 ml d'eau froide dans un récipient résistant aux micro-ondes ; plongez-y l'ustensile de cuisson.
2. Activez la puissance maximale des micro-ondes pendant 1 minute.
3. Après quoi, touchez l'ustensile avec la plus grande prudence : si l'ustensile vide est chaud, il convient de ne pas l'utiliser pour la cuisson aux micro-ondes.
4. Veillez à ne pas dépasser un temps de cuisson de 1 minute.

## Matériaux que vous pouvez utiliser dans un four micro-ondes

Ustensiles	Remarques
Plat de brunissage	Suivez les instructions du fabricant. Le fond du plat doit se situer à au moins 3/16 pouce (5 mm) au-dessus du plateau tournant. Tout usage incorrect peut entraîner la rupture du plateau tournant.
Plats de service	Uniquement spécial micro-ondes. Suivez les instructions du fabricant. N'utilisez pas de vaisselle craquelée ou ébréchée.
Bols en verre	Retirez toujours le couvercle. À utiliser uniquement pour chauffer des aliments sans les faire bouillir. La plupart des bols en verre ne sont pas adaptés pour le four micro-ondes.
Objets en verre	Uniquement les objets en verre résistant à la chaleur. Vérifiez l'absence de garniture métallique. N'utilisez pas de vaisselle craquelée ou ébréchée.
Sachets de cuisson au four	Suivez les instructions du fabricant. Ne fermez pas le sachet à l'aide d'une attache métallique. Pratiquez des fentes pour que la vapeur puisse s'en échapper.
Assiettes et tasses en papier	À utiliser pour cuire/chauffer des aliments pendant quelques minutes seulement. Surveillez constamment le four pendant la cuisson.
Serviettes en papier	À utiliser pour couvrir les aliments à réchauffer et absorber les graisses. Surveillez constamment la cuisson et ne faites cuire que pendant un court laps de temps.
Papier parchemin	À utiliser pour couvrir les aliments et éviter les éclaboussures, ou pour envelopper et cuire à l'étuvé.
Récipients en plastique	Uniquement spécial micro-ondes. Respectez les instructions du fabricant. L'inscription "Garantie Micro-ondes" doit y figurer. Certains récipients en plastique ramollissent au fur et à mesure que l'aliment devient chaud. Pratiquez des incisions ou percez les sacs d'ébullition et les sacs en plastique hermétiques, conformément aux instructions figurant sur l'emballage.
Pellicule plastique	Uniquement spécial micro-ondes. À utiliser pour couvrir les aliments pour retenir l'humidité. La pellicule plastique ne doit pas entrer en contact avec les aliments.
Thermomètres	Uniquement spécial micro-ondes (thermomètre à viande ou confiseur).
Papier sulfurisé	À utiliser pour couvrir les aliments et éviter les éclaboussures, et pour conserver l'humidité.

## Matériaux à ne pas utiliser au micro-ondes

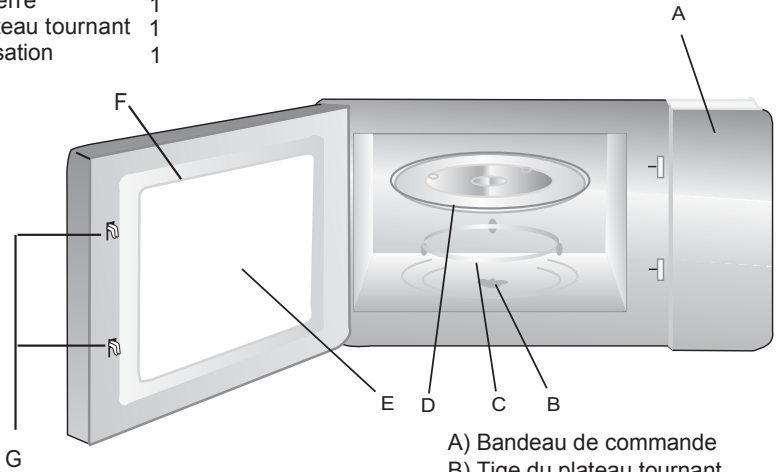
Ustensiles	Remarques
Barquette en aluminium	Peut engendrer la formation d'un arc électrique. Transférez les aliments dans un plat spécial micro-ondes.
Carton alimentaire avec poignée métallique	Peut engendrer la formation d'un arc électrique. Transférez les aliments dans un plat spécial micro-ondes.
Ustensiles en métal ou avec décoration en métal	Le métal empêche les micro-ondes de pénétrer dans les aliments. Les décorations en métal peuvent causer la formation d'un arc électrique.
Attaches en métal	Elles peuvent être source d'arcs électriques et déclencher un incendie dans le four.
Sacs en papier	Ils peuvent être source d'incendie.
Mousse plastique	La mousse plastique peut fondre sous l'effet de la température élevée et contaminer le liquide.
Bois	À la longue, le bois risque de sécher et de se fêler.

# PRÉPARATION DU FOUR AVANT DE PROCÉDER À L'INSTALLATION

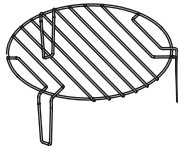
## Nom des pièces et des accessoires du four

Retirez le four du carton d'emballage et tous les accessoires de la cavité du four. Votre four est doté des accessoires suivants :

Plateau en verre	1
Bague du plateau tournant	1
Manuel d'utilisation	1



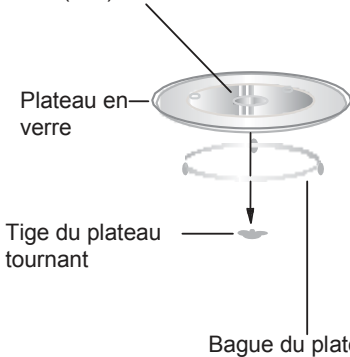
- A) Bandeau de commande
- B) Tige du plateau tournant
- C) Bague du plateau tournant
- D) Plateau en verre
- E) Vitre du four
- F) Porte du four
- G) Système de verrouillage de sécurité



Support de grill (à utiliser uniquement en fonction grill et à placer sur le plateau en verre)

## Installation du plateau tournant

Pivot (bas)



- a. N'installez jamais le plateau en verre à l'envers. Le plateau en verre ne doit jamais être obstrué.
- b. Le plateau en verre et la bague doivent toujours être installés lorsque vous utilisez l'appareil.
- c. Placez les aliments et les récipients sur le plateau en verre.
- d. Si le plateau en verre et/ou la bague présentent des signes de craquelure ou de rupture, contactez un Service Après-vente agréé.



## Installation et branchement

1. Cet appareil est conçu uniquement pour une utilisation domestique.
2. Ce four est destiné à une utilisation en mode encastré uniquement. Il n'est pas destiné à une utilisation sur le plan de travail ou à l'intérieur d'un placard.
3. Il convient de respecter les instructions d'installation particulières.
4. L'appareil peut être installé dans un placard mural de 60 cm de large.
5. L'appareil est doté d'une prise et doit être connecté uniquement à une prise convenablement mise à la terre.
6. La tension de réseau doit correspondre à la tension spécifiée sur la plaque nominative.
7. La prise ne doit être installée et le câble de branchement ne doit être remplacé que par un électricien qualifié. Si la prise n'est plus accessible après l'installation, un dispositif de déconnexion omnipolaire doit être présent sur le côté installation avec un intervalle de contact d'au moins 3 mm.
8. Il est interdit d'utiliser des adaptateurs, des prises multiples et des câbles de rallonges. Toute surcharge peut provoquer un risque d'incendie.

**La surface accessible ne doit pas être chaude pendant que le four est en service.**



# Notice d'installation

Il convient de lire minutieusement le manuel avant l'installation

## Remarque

### Branchement électrique

Le four est doté d'une prise et doit être connecté uniquement à une prise convenablement mise à la terre. La prise ne doit être installée et le câble de branchement ne doit être remplacé que par un électricien qualifié, et conformément aux réglementations appropriées.

Si la prise n'est plus accessible après l'installation, un dispositif de déconnexion omnipolaire doit être présent sur le côté installation avec un intervalle de contact d'au moins 3 mm.

L'armoire équipée ne doit pas avoir de paroi arrière derrière l'appareil.

Un intervalle doit être maintenu entre la paroi et la base de l'unité au dessus.

La taille spécifique de l'intervalle peut être référencée par les diagrammes.

Hauteur minimum d'installation : 85 cm

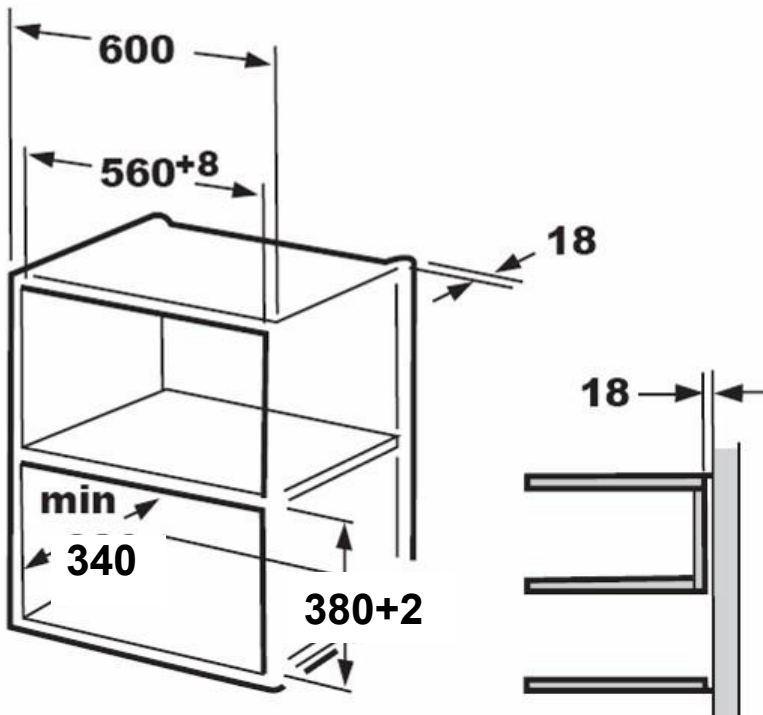
Ne pas couvrir les fentes de ventilation et les orifices d'aspiration.

### Remarque :

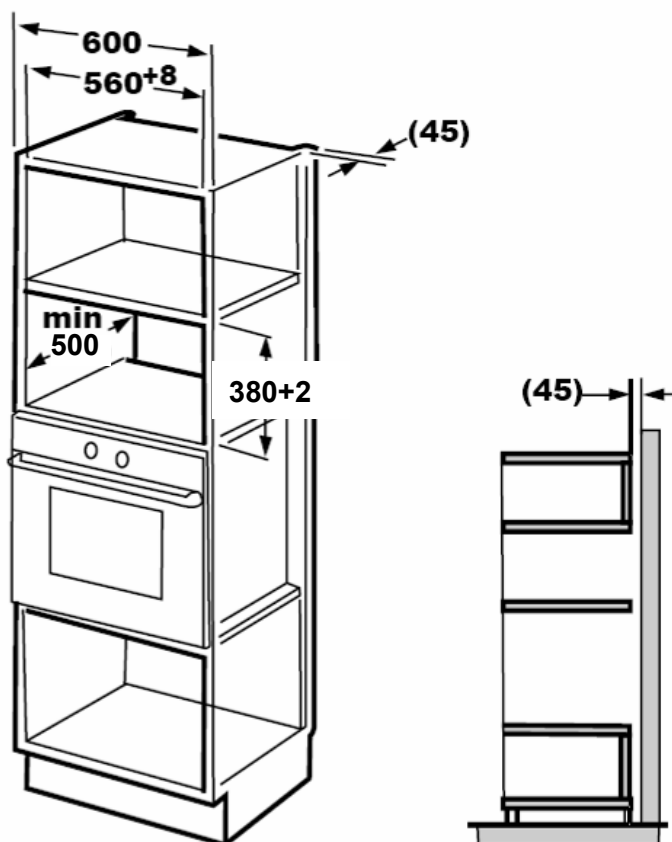
Ne pas bloquer ou plier le câble électrique.

Ne pas utiliser sous une surface de travail ni renverser depuis le conteneur sur la surface où l'appareil est installé.

1.



2.

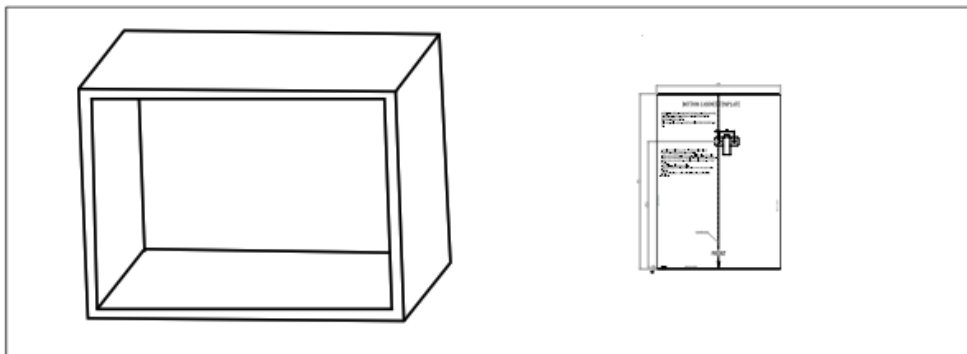


**Remarque :**

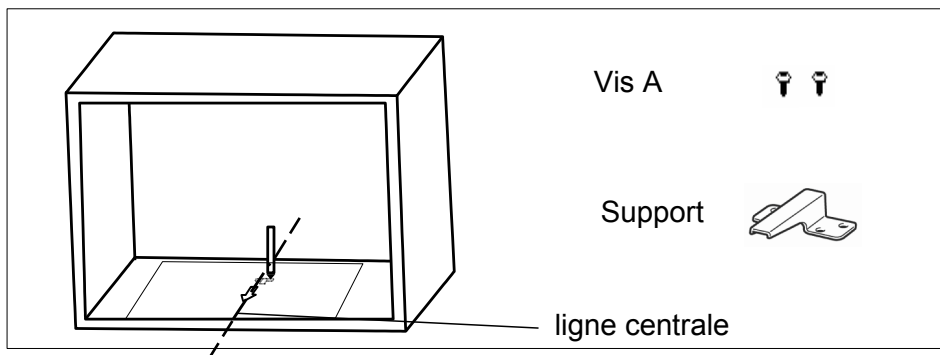
Le support et le modèle d'armoire inférieur sont nécessaires lors de l'installation dans les deux installations.

## B. Préparation de l'armoire

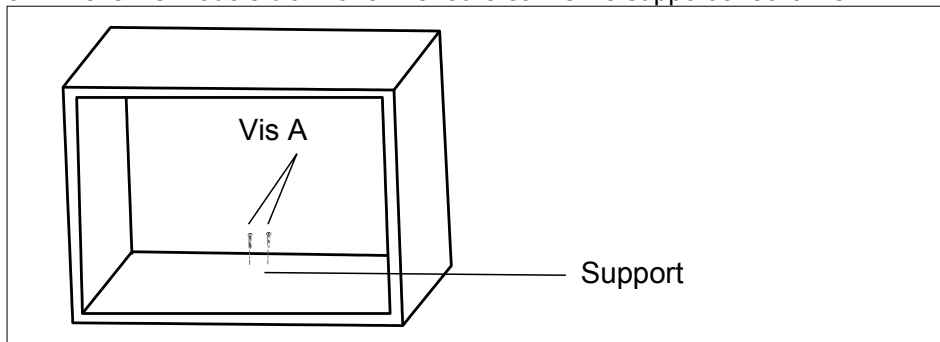
1. Il convient de lire les instructions sur le MODÈLE D'ARMOIRE INFÉRIEURE, placez le modèle sur le plan inférieur de l'armoire.



2. Inscrivez les marques sur le plan inférieur de l'armoire selon les marques "a" du modèle



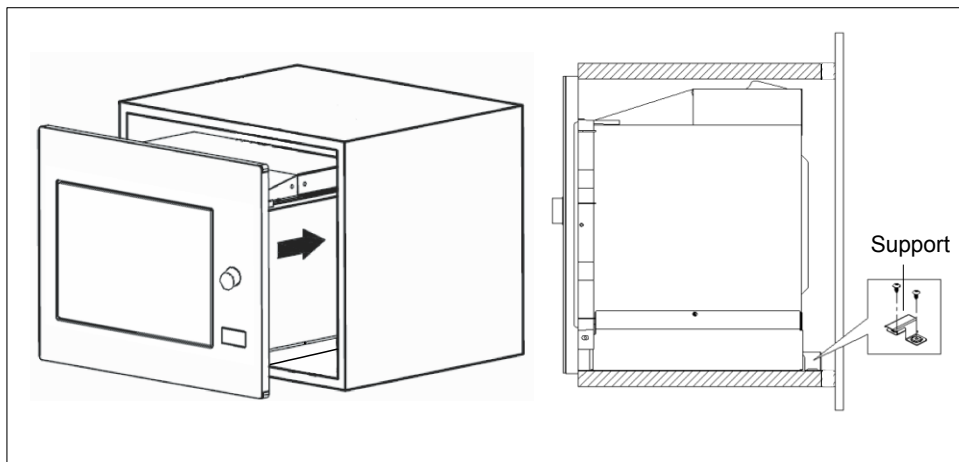
3. Enlevez le modèle d'armoire inférieure et fixez le support avec la vis A.



## C. Installez le four

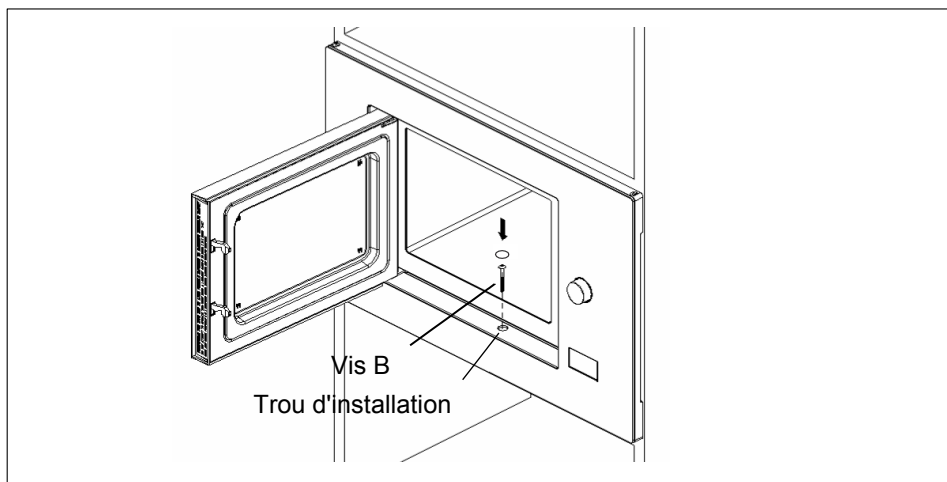
### 4. Installez le four sur l'armoire

- Assurez-vous que l'arrière du four est bloqué par le support.
- Ne pas bloquer ou plier le câble électrique.

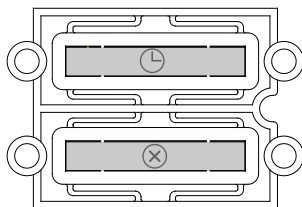
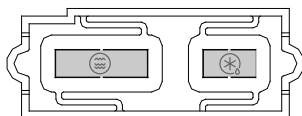
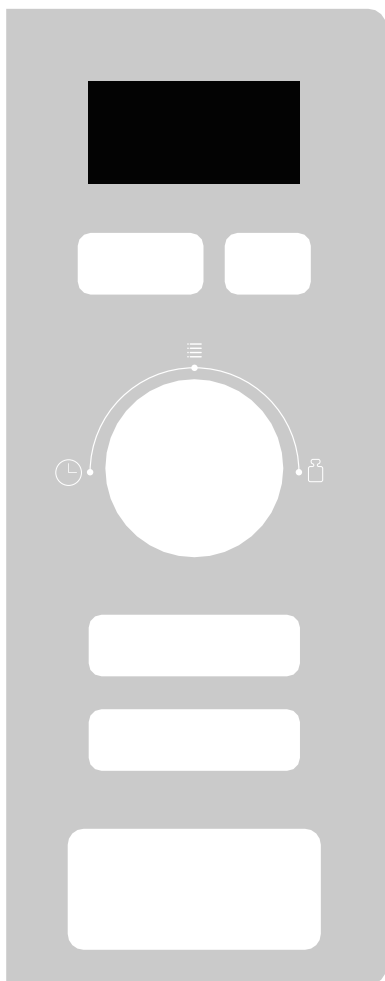


### 5. Ouvrez la porte, fixez le four à l'armoire avec la Vis B au niveau de l'orifice d'installation.

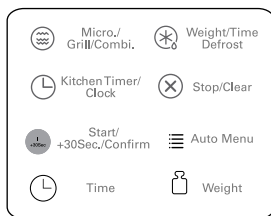
Puis fixez le capuchon en plastique Trim-kit sur l'orifice d'installation.



# Panneau de commande



## Instruction:



# Instructions de fonctionnement

## 1. Réglage de l'horloge

Dès que le micro-ondes est mis sous tension, l'affichage visualise "0:00" et un signal sonore retentit une fois.

- 1) Appuyez sur "**Kitchen Timer/Clock**" (Minuterie/Horloge) deux fois pour sélectionner la fonction de l'heure, les chiffres de l'heure clignoteront.
- 

- 2) Tournez " " pour régler les chiffres des heures, le réglage doit être entre 0--23 h.
- 

- 3) Appuyez sur "**Kitchen Timer/Clock**" (Minuterie/Horloge), les chiffres des minutes clignoteront.
- 


- 4) Tournez " " pour régler les chiffres des minutes, le réglage doit être entre 0--59.
- 


- 5) Appuyez sur "**Kitchen Timer/Clock**" (Minuterie/Horloge) pour terminer le réglage de l'heure. ":" clignotera, l'heure s'allumera.
- 

- Rem. :** 1) Si l'horloge n'est pas réglée, le four ne fonctionnera pas lors de la mise sous tension.  
2) Pendant le réglage de l'heure, si vous appuyez sur "**Stop/Clear**", (Arrêt/Annulation) le four reviendra automatiquement à son état précédent.

## 2. Cuisson aux micro-ondes


Appuyez sur "**Micro./Grill/Combi**" (Micro./Gril/Combi.) une fois, l'écran affichera "P100". Appuyez sur

"**Micro./Grill/Combi**" (Micro./Gril/Combi.) de manière répétée ou tournez " " pour choisir la puissance souhaitée, et "P100", "P 80", "P 50", "P 30", "P 10", "G", "C-1" ou "C-2" s'affichera pour chaque pression supplémentaire. Puis appuyez sur "**Start/+30Sec./Confirm**" (Démarrage/+30

sec/Confirm.) ou tournez " " pour régler le temps de cuisson de 0h05 à 95h00. Appuyez sur "**Start/+30Sec./Confirm**" (Démarrage/+30 sec/Confirm.) à nouveau pour démarrer la cuisson.

Exemple : Si vous souhaitez utiliser le niveau de puissance 80 % pendant 20 minutes, procédez comme suit.

- 1) Appuyez sur "**Micro./Grill/Combi**." (Micro./Gril/Combi.) une fois, l'écran affiche "P100".
- 

- 2) Appuyez sur "**Micro./Grill/Combi**." (Micro./Gril/Combi.) encore une fois ou tournez " " pour choisir 80% de la puissance du micro-ondes.
- 

- 3) Appuyez sur "**Start/+30Sec./Confirm**" (Démarrage/+30 sec/Confirm.) pour confirmer, et l'écran affiche "P 80".
- 

- 4) Tournez " " pour régler le temps de cuisson jusqu'à ce que le four affiche "20:00".
- 



- 5) Appuyez sur "**Start/+30Sec./Confirm**" (Démarrage/+30 sec/Confirm.) pour démarrer la cuisson.

**Remarque** : Les quantités par étape pour le temps de réglage de l'interrupteur de codage sont les suivantes :



0---1	min	: 5 secondes
1---5	min	: 10 secondes
5---10	min	: 30 secondes
10---30	min	: 1 minute
30---95	min	: 5 minutes

"Micro./Grill/Combi." (Micro./Gril/Combi.) Ordre	Instructions du bandeau Écran	Four à micro- ondes Puissance	Gril Puissance
1	P100	100%	
2	P 80	80%	
3	P 50	50%	
4	P 30	30%	
5	P 10	10%	
6	G	0%	100%
7	C-1	55%	45%
8	C-2	36%	64%

### 3. Grill ou Combi. Cuisson

Appuyez sur **"Micro./Grill/Combi."** (Micro./Gril/Combi.) une fois, l'écran affichera "P100", et appuyez sur **"Micro./Grill/Combi."** (Micro./Gril/Combi.) de manière répétée ou tournez le " " pour choisir la puissance souhaitée et "P 100", "P 80", "P 50", "P 30", "P 10", "G", "C-1" ou "C-2" s'afficheront pour chaque pression supplémentaire. Puis appuyez sur **"Start/+30Sec./Confirm"** (Démarrage/+30 sec/Confirm.) pour confirmer et tournez " " pour régler le temps de cuisson de 0:05 à 95:00 Appuyez sur **"Start/+30Sec /Confirm"** (Démarrage/+30 sec/Confirm.) encore une fois pour démarrer la cuisson.


Exemple : Si vous souhaitez utiliser un niveau de puissance de 55% pour le four à micro-ondes et un niveau de puissance de 45% (C-1) pour le gril pendant 10 minutes, procédez comme suit.

- 1) Appuyez sur **"Micro./Grill/Combi."** (Micro./Gril/Combi.) une fois, l'écran affiche "P100".
- 2) Appuyez sur **"Micro./Grill/Combi."** (Micro./Gril/Combi.) six fois ou tournez " " pour choisir le mode combiné. 1 mode.
- 3) Appuyez sur **"Start/+30Sec./Confirm"** (Démarrage/+30 sec/Confirm.) pour confirmer et l'écran affiche "C-1".
- 4) Tournez " " pour régler le temps de cuisson jusqu'à ce que le four affiche "10:00".
- 5) Appuyez sur **"Start/+30Sec./Confirm"** (Démarrage/+30 sec/Confirm.) pour démarrer la cuisson.




**Rem.** : Si la moitié du temps de gril s'est écoulé, le four sonne deux fois, ce qui est normal. Pour obtenir une meilleure cuisson avec les aliments grillés, vous devriez retourner les aliments, fermer ensuite la porte et appuyer sur "**Start/+30Sec./Confirm**" (Démarrage/+30 sec/Confirm.) pour continuer la cuisson. Si rien ne passe, le four continue la cuisson.

#### 4. Démarrage rapide

- 1) Alors qu'il n'est pas utilisé, appuyer sur "**Start/+30Sec./Confirm**" (Démarrage/+30 sec/Confirm.) pour lancer la cuisson à 100% de puissance, et chaque fois que vous appuyez, le temps de cuisson augmente de 30 secondes jusqu'à un maximum de 95 minutes.
- 2) En micro-ondes, gril, cuisson combinée ou décongélation, chaque pression de "**Start/+30Sec./Confirm**" (Démarrage/+30 sec/Confirm.) peut augmenter de 30 secondes la durée de cuisson.
- 3) Pendant qu'il n'est pas utilisé, tourner " " sur la gauche pour régler la durée de cuisson avec une puissance de 100%. Après avoir choisi la durée de cuisson, appuyez sur "**Start/+30Sec./Confirm**" (Démarrage/+30 sec/Confirm.) pour démarrer la cuisson.

#### 5. Décongélation par poids


- 1) Appuyez sur "**Weight/Time Defrost**" (Poids/Temps décongélation) une fois et le four affichera "dEF1".
- 

- 2) Tournez " " pour sélectionner le poids des aliments de 100 à 2000 g.
- 

- 3) Appuyez sur "**Start/+30Sec./Confirm**" (Démarrage/+30 sec/Confirm.) pour démarrer la décongélation.


#### 6. Décongélation par périodes de temps

- 1) Appuyez sur "**Weight/Time Defrost**" (Poids/Temps décongélation) deux fois, et le four affichera "dEF2".
- 

- 2) Tournez " " pour sélectionner le temps de décongélation. Le temps MAX est 95 minutes.
- 


- 3) Appuyez sur "**Start/+30Sec./Confirm**" (Démarrage/+30 sec/Confirm.) pour démarrer la décongélation. La puissance de décongélation est P 30, elle ne peut pas être modifiée.

## 7. Minuterie de cuisson

- (1) Appuyez sur "**Kitchen Timer/Clock**" (Minuteur/Horloge) une fois, l'écran affichera 00:00.
- (2) Tournez " " pour entrer le temps correct. (La durée de cuisson maximale est de 95 minutes.)
- (3) Appuyez sur "**Start/+30Sec./Confirm**" (Démarrage/+30 sec/Confirm.) pour confirmer le réglage.
- (4) Lorsque le temps sur la minuterie est atteint, le signal sonore se fait entendre 5 fois.  
Si l'horloge est réglée (mode 24 heures), l'écran affiche l'heure actuelle.

Remarque : Le temps de minuterie est différent du système à 24 heures. Le temps de minuterie est une minuterie.


## 8. Menu Auto

- 1) Tournez " " sur la droite pour choisir le menu, et "A-1" à "A-8" s'affichera.

---

- 2) Appuyez sur "**Start/+30Sec./Confirm**" (Démarrage/+30 sec/Confirm.) pour confirmer.


---

- 3) Tournez " " pour sélectionner le poids par défaut dans le diagramme du menu.

---

- 4) Appuyez sur "**Start/+30Sec./Confirm**" (Démarrage/+30 sec/Confirm.) pour démarrer la cuisson.


Exemple : Si vous désirez utiliser « Menu auto » pour cuire du poisson de 350 g.

- 1) Tournez " " dans le sens des aiguilles d'une montre jusqu'à ce que "A-6" s'affiche.

---

- 2) Appuyez sur "**Start/+30Sec./Confirm**" (Démarrage/+30 sec/Confirm.) pour confirmer.

---

- 3) Tournez " " pour sélectionner le poids du poisson jusqu'à ce que "350" s'affiche.

---

- 4) Appuyez sur "**Start/+30Sec./Confirm**" (Démarrage/+30 sec/Confirm.) pour démarrer la cuisson.

Le diagramme du menu :


Menu	Poids	Écran
A-1	200 g	200
Pizza	400 g	400
A-2	250 g	250
Viande	350 g	350
	450 g	450
A-3	200 g	200
Légumes	300 g	300
	400 g	400
	50 g (avec 450 g d'eau froide)	50
A-4	100 g (avec 800 g d'eau froide)	100
Pâtes		
A-5	200 g	200
Pommes de terre	400 g	400
	600 g	600
A-6	250 g	250
Poisson	350 g	350
	450 g	450
A-7	1 tasse (120 ml)	1
Boissons	2 tasses (240 ml)	2
	3 tasses (360 ml)	3
A-8	50 g	50
Popcorn	100 g	100

## 9. Cuisson en plusieurs étapes


Au plus, 2 étapes peuvent être réglées pour la cuisson. Lors de la cuisson avec plusieurs étapes, si une étape est la décongélation, alors la décongélation doit se faire à la première étape.

Exemple : Si vous désirez décongeler des aliments pour 5 minutes et ensuite les cuire au four à micro-ondes à puissance 80% pendant 7 minutes, procédez comme suit :


- 1) Appuyez sur "**Weight/Time Defrost**" (Poids/Temps décongélation) deux fois, et le four affichera "dEF2".

---
- 2) Tournez " " pour sélectionner le temps de décongélation jusqu'à ce que "5:00" s'affiche.

---
- 3) Appuyez sur "**Micro./Grill/Combi.**" (Micro./Gril/Combi.) une fois, l'écran affiche "P100".

---
- 4) Appuyez sur "**Micro./Grill/Combi.**" (Micro./Gril/Combi.) encore une fois ou tournez " " pour choisir 80% de la puissance du micro-ondes.

---
- 5) Appuyez sur "**Start/+30Sec./Confirm**" (Démarrage/+30 sec/Confirm.) pour confirmer, et l'écran affiche "P 80".


---
- 6) Tournez " " pour régler le temps de cuisson jusqu'à ce que le four affiche "7:00".

---
- 7) Appuyez sur "**Start/+30Sec./Confirm**" (Démarrage/+30 sec/Confirm.) pour lancer la cuisson, un signal sonore retentit une fois pour la première étape, le temps de décongélation commence son compte à rebours. le signal sonore se fait entendre une autre fois au début de la deuxième étape. Lorsque la cuisson est terminée, le signal retentit cinq fois.

## 10. Fonction Enquête

- (1) En mode four à micro-ondes, cuisson grill et combo, appuyez sur "**Micro./Grill/Combi.**", (Micro./Gril/Combi.) la puissance actuelle sera affichée pendant 3 secondes. Après 3 secondes, le four retourne au mode précédent.
- (2) En mode cuisson, appuyez sur "**Kitchen Timer/Clock**" (Minuteur/Horloge) pour vérifier le temps et le temps s'affiche pendant 3 secondes.

## 11. Fonction de verrouillage pour les enfants

Verrouillage : Pendant que le four n'est pas utilisé, appuyez sur "**Stop/Clear**" (Stop/Annuler) pendant 3 secondes, il y aura un long bip indiquant que la fonction de verrouillage pour les enfants est activée.  la lumière et l'heure actuelle s'affichera si l'heure a été réglée. Autrement, l'écran affichera " [ ] [ ] [ ] [ ] ".

Désactiver la fonction Verrouillage : En mode verrouillage, appuyez sur "**Stop/Clear**" (Stop/Annuler) pendant 3 secondes, un long signal sonore retentit pour indiquer que le verrou est désactivé.

## Dépannage

<b>Normal</b>	
Interférence four à micro-ondes Réception TV	Le fonctionnement du micro-ondes provoque des interférences avec la radio et la télévision. Elles sont semblables aux interférences provoquées par de petits appareils électroménagers, tels que mixers, aspirateurs et ventilateurs électriques. Ce phénomène est normal.
Faiblesse de l'éclairage du four	Lorsque la cuisson s'effectue à un faible niveau de puissance des micro-ondes, il se peut que l'éclairage s'atténue. C'est normal.
Accumulation de vapeur sur la porte, sortie d'air chaud par les ouvertures d'aération	Pendant la cuisson, l'eau contenue dans les aliments peut se transformer en vapeur. La buée sera évacuée par les ouvertures d'aération. Toutefois, une certaine quantité de vapeur peut s'accumuler sur une surface froide, telle que la porte du four. Ce phénomène est normal.
Démarrage inopiné du four à vide.	Il est proscrit d'activer le four à vide. Cela est très dangereux.

<b>Problème</b>	<b>Cause possible</b>	<b>Remède</b>
Le four ne fonctionne pas.	(1) Le cordon d'alimentation n'est pas correctement branché.	Débranchez, puis rebranchez au bout de 10 secondes.
	(2) Le fusible a grillé ou le disjoncteur s'est enclenché.	Remplacez le fusible ou réinitialisez le disjoncteur (faites appel à un professionnel qualifié en cas de réparation)
	(3) La prise est défectueuse.	Testez la prise en branchant d'autres appareils électriques.
Le four ne chauffe pas.	(4) La porte n'est pas fermée correctement.	Fermez la porte correctement.



Conformément à la directive en matière de Déchets d'Équipement Électrique et Électronique (WEEE), ces déchets doivent être collectés et traités séparément. Si, à tout moment, à l'avenir, vous devez jeter ce projet, ne le jetez PAS avec les ordures ménagères. Envoyez ce produit au point de collecte des DEEE le plus proche.

## INFORMAZIONI PER LA SICUREZZA

Leggere attentamente le istruzioni per l'uso e le informazioni per la sicurezza prima di utilizzare il forno.

Conservare le istruzioni per l'uso per consultazioni future.

Il produttore non risponde dei danni che possono verificarsi a causa di un'installazione non corretta e di un utilizzo del dispositivo non corretto, non adeguato o irragionevole.

La sicurezza elettrica del forno è garantita solo quando il dispositivo è collegato a un sistema di messa a terra in conformità alle disposizioni vigenti.

Per garantire il funzionamento sicuro ed efficiente di questo dispositivo elettrico:

- Contattare unicamente centri di assistenza autorizzati.
- Non modificare le funzioni del dispositivo.

Questo apparecchio può essere utilizzato da bambini di età superiore agli 8 anni e da persone con ridotte capacità fisiche, sensoriali o mentali o prive della necessaria esperienza e conoscenza solo se siano sorvegliate o siano state adeguatamente istruite sull'utilizzo sicuro dell'apparecchio e ne comprendano i rischi. Vietare ai bambini di giocare con l'apparecchio. La pulizia e la manutenzione non devono essere effettuate dai bambini senza la supervisione di un adulto.

Questo dispositivo non è un giocattolo.

Non lasciare bambini incustoditi nelle vicinanze del dispositivo.

Non consentire ai bambini di toccare il dispositivo o i suoi comandi durante o immediatamente dopo l'uso.

**ATTENZIONE:** Per evitare rischi dovuti ad un reset accidentale della protezione termica, questo apparecchio non deve essere alimentato tramite un dispositivo di commutazione esterno come un timer o collegato ad un circuito che sia inserito e disinserto regolarmente dall'azienda erogatrice.

Accertarsi che il dispositivo sia installato in modo tale da consentirne lo scollegamento dall'alimentazione elettrica con una distanza di apertura dei contatti in grado di assicurare lo scollegamento completo nelle condizioni di sovratensione di categoria III. I collegamenti elettrici fissi devono incorporare i mezzi di disconnessione previsti dai codici vigenti.

Utilizzare unicamente la sonda di temperatura consigliata per questo forno.

L'apparecchio non deve essere installato dietro una porta decorativa per evitare che possa surriscaldarsi.

**Pericolo di ustioni!**

L'apparecchio diventa molto caldo durante l'uso. Si deve prestare attenzione a non toccare gli elementi riscaldanti all'interno del forno. Tenere lontani i bambini di età inferiore agli 8 anni, a meno che non siano costantemente sorvegliati.

Pericolo di ustioni!

Le estremità della maniglia della porta possono avere una temperatura più elevata a causa dell'aria calda che sfoga all'esterno.

Accertarsi sempre che le manopole di comando siano in posizione OFF quando il forno non è in uso.

**AVVERTENZA:** prima di sostituire la lampada accertarsi che il dispositivo sia spento al fine di evitare scosse elettriche.

Non utilizzare detergenti abrasivi aggressivi o raschietti affilati di metallo per pulire il vetro della porta del forno/il vetro dei coperchi incernierati del piano cottura in quanto possono graffiare la superficie e causare la frantumazione del vetro.

Non utilizzare pulitrici a vapore o getti diretti di acqua. Se il cavo di alimentazione è danneggiato deve essere sostituito dal costruttore, da un suo tecnico del servizio di assistenza o comunque da una persona con qualifica simile, in modo da prevenire ogni rischio.



# PRECAUZIONI PER EVITARE L'ESPOSIZIONE A QUANTITÀ ECCESSIVE DI ENERGIA A MICROONDE

(a) Non utilizzare questo forno con lo sportello aperto, perché questo potrebbe causare un'esposizione dannosa all'energia delle microonde. È importante non manomettere i dispositivi di sicurezza incorporati.

(b) Non posizionare nessun oggetto tra la parte anteriore del forno e lo sportello ed evitare l'accumulo di detersivo o di altri residui sulle superfici delle guarnizioni.

(c) **AVVERTENZA:** se la porta o le guarnizioni sono danneggiate, prima di riutilizzare il forno è necessario farlo riparare da un tecnico competente.

## NOTA AGGIUNTIVA

La mancata esecuzione delle operazioni di pulizia periodiche può provocare deterioramenti della superficie, che possono influenzare negativamente la durata dell'apparecchio e causare situazioni di pericolo.

## Specifiche

Modello:	FMW 20 SMP G XS / FSL 20 MW XS / FSL 20 MW BK
Tensione nominale:	230 V~50 Hz
Potenza d'ingresso nominale (microonde):	1250 W
Potenza di uscita nominale (microonde):	800 W
Potenza d'ingresso nominale (grill):	1000 W
Capacità del forno:	20 l
Diametro piatto rotante:	Ø245mm
Dimensioni esterne:	595x343.5x388mm
Peso netto:	ca. 15 kg

## CONSUMO ENERGETICO

Informazioni sul prodotto relative al consumo energetico e al tempo massimo per raggiungere la modalità di basso consumo applicabile.

---

Modalità standby

0.8 W

---

Il tempo massimo necessario al forno a microonde per raggiungere automaticamente la modalità o la condizione di basso consumo applicabile.

20 minuti

## **ISTRUZIONI IMPORTANTI PER LA SICUREZZA**

Per ridurre il rischio di incendi, scosse elettriche, lesioni alle persone o esposizione eccessiva all'energia delle microonde durante l'uso dell'apparecchio, attenersi alle seguenti precauzioni di base:

1. **Attenzione:** I liquidi e gli altri alimenti non devono essere riscaldati in contenitori sigillati, per evitare possibili esplosioni.
2. **Attenzione:** È pericoloso per qualunque persona non qualificata effettuare operazioni di assistenza o riparazione che comportino la rimozione dei pannelli di copertura, in quanto tali pannelli forniscono la protezione necessaria contro l'energia delle microonde.
3. Questo apparecchio può essere utilizzato da bambini di età superiore agli 8 anni e da persone con ridotte capacità fisiche, sensoriali o mentali o prive della necessaria esperienza e conoscenza solo se siano sorvegliate o siano state adeguatamente istruite sull'utilizzo sicuro dell'apparecchio e ne comprendano i rischi. Vietare ai bambini di giocare con l'apparecchio. La pulizia e la manutenzione non devono essere effettuate da bambini, a meno che non abbiano più di 8 anni e non siano sorvegliati da adulti.
4. Tenere l'apparecchio e il cavo di alimentazione fuori dalla portata dei bambini di età inferiore agli 8 anni.
5. Utilizzare soltanto utensili adatti all'uso in forni a microonde.
6. Pulire regolarmente il forno ed eliminare di volta in volta i residui di cottura.
7. Leggere e seguire le indicazioni: "PRECAUZIONI PER EVITARE L'ESPOSIZIONE A QUANTITÀ ECCESSIVE DI ENERGIA A MICROONDE".
8. Quando si riscaldano alimenti all'interno di contenitori di plastica o carta, non lasciare il forno incustodito perché esiste la possibilità che il contenitore prenda fuoco.

9. Se si nota del fumo, spegnere il forno o staccare la spina di alimentazione e tenere lo sportello chiuso per evitare possibili fiammate.
10. Evitare di cuocere eccessivamente gli alimenti.
11. Non usare l'interno del forno come dispensa.  
Non conservare pane, biscotti, ecc. all'interno del forno.
12. Rimuovere i ferretti di chiusura dai sacchetti di carta o di plastica prima di introdurli nel forno.
13. Installare o posizionare il forno attenendosi strettamente alle istruzioni di installazione.
14. Non cuocere o riscaldare a microonde le uova con il guscio perché potrebbero esplodere, anche dopo lo spegnimento del forno.
15. L'apparecchio è destinato all'uso domestico e ad applicazioni analoghe, quali:
- aree di cucina per il personale di negozi, uffici e altri contesti lavorativi;
  - camere di hotel, motel e altri ambienti residenziali;
  - agriturismi;
  - bed and breakfast.
16. Se il cavo di alimentazione è danneggiato, deve essere sostituito dal produttore, da un centro di assistenza autorizzato o da un tecnico qualificato per evitare situazioni di pericolo.
17. Non depositare o utilizzare questo apparecchio all'aperto.
18. Non usare questo forno in zone esposte all'acqua, in scantinati umidi o vicino a una piscina.
19. La temperatura delle superfici accessibili può raggiungere valori elevati quando l'apparecchio è in funzione. Le superfici possono diventare molto calde durante l'uso. Tenere il cavo lontano dalle superfici riscaldata e non coprire le prese d'aria del forno.

20. Non lasciare il cavo sospeso oltre il bordo del tavolo o del piano di lavoro.
21. La mancata esecuzione delle operazioni di pulizia periodiche può provocare deterioramenti della superficie, che possono influenzare negativamente la durata dell'apparecchio e causare situazioni di pericolo.
22. Quando si riscaldano biberon o vasetti di omogeneizzati, agitare o mescolare il contenuto e controllare la temperatura prima di servirli.
23. Il riscaldamento a microonde delle bevande può causare una bollitura tardiva; prestare la dovuta attenzione nel maneggiare i recipienti.
24. Questo apparecchio non deve essere utilizzato da persone (bambini compresi) con ridotte capacità fisiche, sensoriali o mentali o con esperienza e conoscenza inadeguate, a meno che non siano state opportunamente istruite o vengano controllate durante l'utilizzo dell'apparecchio da una persona responsabile della loro sicurezza.
25. Sorvegliare i bambini per evitare che giochino con l'apparecchio.
26. L'apparecchio non è destinato ad essere messo in funzione per mezzo di un temporizzatore esterno oppure di un sistema di comando a distanza separato.
27. Le parti accessibili possono diventare molto calde durante l'uso. Tenere lontani i bambini piccoli.
28. Non utilizzare apparecchi di pulizia a vapore.
29. Durante l'uso l'apparecchio diventa molto caldo. Fare attenzione a non toccare gli elementi riscaldanti all'interno del forno.
30. Usare solamente la termosonda raccomandata per questo forno. (per i forni predisposti per l'uso di una termosonda.)

31. **ATTENZIONE:** L'apparecchio e i suoi componenti accessibili possono diventare molto caldi durante l'uso. Fare attenzione a non toccare le resistenze. Tenere lontani i bambini di età inferiore agli 8 anni, a meno che non siano costantemente sorvegliati.

32. Il forno a microonde deve essere azionato con la porta decorativa aperta. (per forni con porta decorativa.)

33. La superficie dei cassetti di conservazione può diventare molto calda.

34. Il forno a microonde è destinato al riscaldamento di alimenti e bevande. L'asciugatura di alimenti o indumenti e il riscaldamento di scaldamani, pantofole, spugne, salviette inumidite e simili può provocare rischi di lesioni o incendi.

**LEGGERE ATTENTAMENTE E CONSERVARE PER  
ULTERIORI CONSULTAZIONI**

# Installazione con messa a terra per ridurre il rischio di lesioni alle persone

## PERICOLO

Pericolo di scosse elettriche: il contatto con alcuni componenti interni può provocare gravi lesioni personali o conseguenze mortali. Non smontare l'apparecchio.

## AVVERTENZA

Pericolo di scosse elettriche: l'uso improprio dello spinotto di terra può creare rischi di folgorazione.

Non collegare la spina alla presa finché l'apparecchio non è stato installato e collegato correttamente a terra.

Questo apparecchio richiede la messa a terra. In caso di cortocircuito, la messa a terra riduce il rischio di scosse elettriche perché offre un percorso alternativo per il passaggio della corrente elettrica.

Il cavo dell'apparecchio è provvisto di un filo di terra e di una spina con conduttore di terra. La spina deve essere collegata a una presa correttamente installata e collegata a terra.

Rivolgersi a un elettricista o a un tecnico qualificato in caso di dubbi sulle istruzioni di messa a terra o sulla corretta attuazione della messa a terra dell'apparecchio.

Se è necessario utilizzare una prolunga, usare solo prolunghe a 3 fili.

1. Viene fornito un cavo di alimentazione corto per ridurre il rischio che possa restare impigliato o possa intralciare il passaggio delle persone causando cadute accidentali.
2. Se si utilizza un cavo lungo o una prolunga:
  - 1) La potenza elettrica indicata sul cavo di alimentazione o sulla prolunga deve essere almeno pari alla potenza elettrica dell'apparecchio.
  - 2) La prolunga deve essere formata da un cavo a 3 fili con messa a terra.
  - 3) Se si utilizza un cavo lungo, sistemarlo in modo che non scenda dal piano di lavoro o dal tavolo, perché in tal caso potrebbe essere inavvertitamente trascinato dai bambini o creare rischi di inciampo.

## **PULIZIA**

Scollegare l'apparecchio dalla rete elettrica.

1. Pulire la cavità del forno dopo l'uso con un panno leggermente inumidito.
2. Pulire gli accessori come di consueto con acqua saponata.
3. Il telaio della porta, la guarnizione e le parti adiacenti devono essere puliti accuratamente con un panno umido.
4. Non utilizzare detergenti abrasivi o raschietti metallici affilati per pulire il vetro della porta del forno, in quanto potrebbero graffiare la superficie con il rischio di rottura del vetro.
5. Suggerimento --- Per facilitare l'asportazione dei residui di alimenti dalle pareti interne: disporre mezzo limone in una ciotola, aggiungere 300 ml (1/2 pinta) di acqua e riscaldare a microonde alla potenza del 100% per 10 minuti. Pulire il forno con un panno morbido e asciutto.

## **UTENSILI**

### **ATTENZIONE**

#### **Pericolo di lesioni personali**

È pericoloso per qualunque persona non qualificata effettuare operazioni di assistenza o riparazione che comportino la rimozione dei pannelli di copertura, in quanto tali pannelli forniscono la protezione necessaria contro l'energia delle microonde.

Vedere le istruzioni sui "Materiali adatti e non adatti per l'uso nel forno a microonde". Alcuni utensili, anche se non metallici, non sono adatti per l'uso con le microonde. In caso di dubbio, è possibile testare l'utensile con la procedura seguente.

Test degli utensili:

1. Versare una tazza d'acqua fredda (250 ml) in un recipiente per microonde e disporvi l'utensile da testare.
2. Azionare il forno alla massima potenza per 1 minuto.
3. Toccare l'utensile con attenzione. Se l'utensile è caldo, non usarlo per la cottura a microonde.
4. Non superare 1 minuto di tempo di cottura.

## Materiali adatti per l'uso nel forno a microonde

Utensili	Note
Piatto di doratura	Seguire le istruzioni del produttore. Il fondo del piatto di doratura deve trovarsi ad almeno 5 mm (3/16 di pollice) dal piatto rotante. Un uso non corretto potrebbe causare la rottura del piatto rotante.
Stoviglie	Solo se adatte alle microonde. Seguire le istruzioni del produttore. Non usare piatti incrinati o scheggiati.
Barattoli di vetro	Rimuovere sempre il coperchio. Utilizzare solo per riscaldare gli alimenti a temperatura moderata. La maggior parte dei barattoli di vetro non sono resistenti al calore e potrebbero rompersi.
Recipienti di vetro	Solo recipienti di vetro resistenti al calore. Controllare che non presentino finiture metalliche. Non usare piatti incrinati o scheggiati.
Sacchetti per cottura in forno	Seguire le istruzioni del produttore. Non chiudere con ferretti metallici. Praticare alcune incisioni per consentire la fuoriuscita del vapore.
Piatti e bicchieri di carta	Utilizzare solo per processi di cottura o riscaldamento di breve durata. Non lasciare il forno acceso incustodito.
Tovaglioli di carta	Utilizzare per coprire gli alimenti da riscaldare e assorbire i grassi. Non lasciare il forno incustodito e usare solo per cotture brevi.
Carta pergamena	Utilizzare come copertura per evitare schizzi o per avvolgere gli alimenti da cuocere a vapore.
Plastica	Solo se adatta alle microonde. Seguire le istruzioni del produttore. Verificare che presenti la dicitura "Microwave Safe" (sicuro per le microonde). Alcuni recipienti di plastica si ammorbidiscono quando gli alimenti al loro interno si scaldano. "I sacchetti per cottura" e i sacchetti di plastica ben chiusi dovrebbero essere incisi o forati come indicato sulla confezione.
Pellicola di plastica	Solo se adatta alle microonde. Utilizzare per coprire gli alimenti durante la cottura in modo da trattenere l'umidità. Non applicare la pellicola di plastica a contatto con gli alimenti.
Termometri	Solo se adatti alle microonde (termometri per carne e dolci).
Carta cerata	Utilizzare come copertura per evitare schizzi e trattenere l'umidità.

## Materiali non adatti all'uso nel forno a microonde

Utensili	Note
Vassoi di alluminio	Possono causare la formazione di archi elettrici. Trasferire gli alimenti su piatti adatti alle microonde.
Scatola per alimenti con manico di metallo	Può causare la formazione di archi elettrici. Trasferire gli alimenti su piatti adatti alle microonde.
Utensili di metallo o con parti di metallo	Il metallo schermava gli alimenti dall'energia delle microonde. Le parti di metallo potrebbero causare la formazione di archi elettrici.
Ferretti di metallo	Possono causare la formazione di archi elettrici e rischi di incendio nel forno.
Sacchetti di carta	Possono provocare un incendio nel forno.
Schiuma plastica espansa	La schiuma plastica espansa potrebbe fondersi o contaminare i liquidi al suo interno se esposta ad alte temperature.
Legno	L'energia delle microonde tende a essiccare il legno, il quale può incrinarsi o fessurarsi.



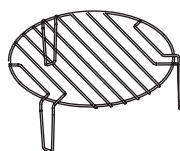
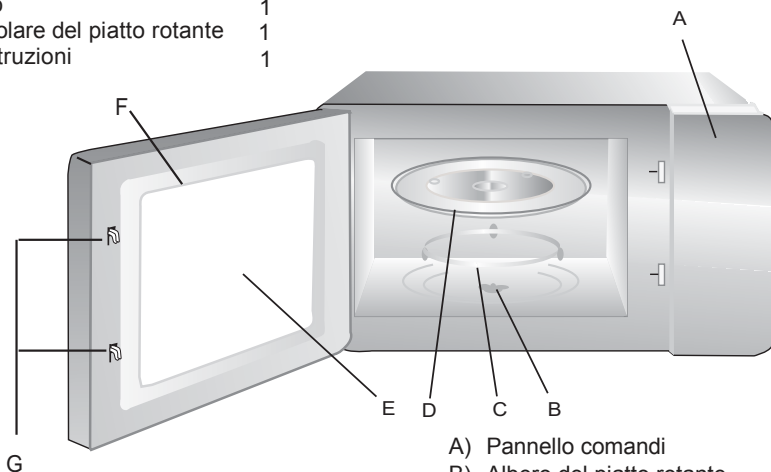
# PREPARAZIONE DEL FORNO

## Nomi di componenti e accessori

Togliere il forno dall'imballaggio e rimuovere tutto il materiale dal suo vano.

La dotazione comprende i seguenti accessori:

Piatto in vetro	1
Supporto circolare del piatto rotante	1
Manuale di istruzioni	1



Griglia (utilizzabile solo con la funzione grill e da posizionare sul piatto di vetro)

- A) Pannello comandi
- B) Albero del piatto rotante
- C) Supporto circolare del piatto rotante
- D) Piatto in vetro
- E) Finestra di ispezione
- F) Gruppo porta
- G) Sistema di bloccaggio di sicurezza

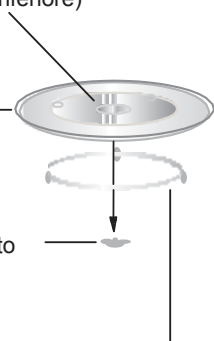
## Installazione del piatto rotante

Mozzo (lato inferiore)

Piatto in vetro

Albero piatto rotante

Supporto circolare piatto rotante



- a. Non posizionare mai il piatto di vetro capovolto. Verificare che il movimento del piatto di vetro non sia ostruito.
- b. Durante la cottura occorre sempre utilizzare sia il piatto di vetro che il relativo supporto circolare.
- c. Gli alimenti e i recipienti di cottura devono essere sempre posizionati sul piatto di vetro.
- d. Se il piatto rotante in vetro o il supporto circolare dovessero rompersi o incrinarsi, contattare il centro di assistenza autorizzato più vicino.

## Installazione e collegamento

1. Questo apparecchio è destinato esclusivamente all'uso domestico.
2. Questo forno è previsto solo per l'uso a incasso. Non è previsto per l'uso su un piano di lavoro o all'interno di un mobile.
3. Osservare le istruzioni di installazione specifiche.
4. L'apparecchio può essere installato in un mobile fissato alla parete con larghezza di 60 cm.
5. L'apparecchio è dotato di spina elettrica e deve essere collegato a una presa con messa a terra installata correttamente.
6. La tensione di rete deve corrispondere alla tensione specificata sulla targhetta matricola.
7. La presa deve essere installata in modo fisso e il cavo di collegamento, se danneggiato, deve essere sostituito da un elettricista qualificato. Se dopo l'installazione la spina non è più accessibile, sul lato di installazione deve essere predisposto un interruttore onnipolare con una distanza tra i contatti di almeno 3 mm.
8. Non utilizzare adattatori, prolunghe e prese multiple. Il sovraccarico può comportare un rischio di incendio.

**La superficie accessibile può diventare molto calda durante il funzionamento.**



# Istruzioni di installazione

Si raccomanda di leggere attentamente il manuale prima dell'installazione

## Attenzione

### Collegamento alla rete elettrica

Il forno è dotato di spina elettrica e deve essere collegato a una presa con messa a terra installata correttamente. La presa deve essere installata in modo fisso e il cavo di collegamento, se danneggiato, deve essere sostituito da un elettricista qualificato in conformità alle norme vigenti.

Se dopo l'installazione la spina non è più accessibile, sul lato di installazione deve essere predisposto un interruttore onnipolare con una distanza tra i contatti di almeno 3 mm.

Il mobile in cui viene installato l'apparecchio deve essere privo della parete posteriore.

È necessario mantenere uno spazio libero tra la parete e la base dell'unità.

Le misure degli spazi richiesti sono indicate nei disegni.

Altezza minima di installazione: 85 cm

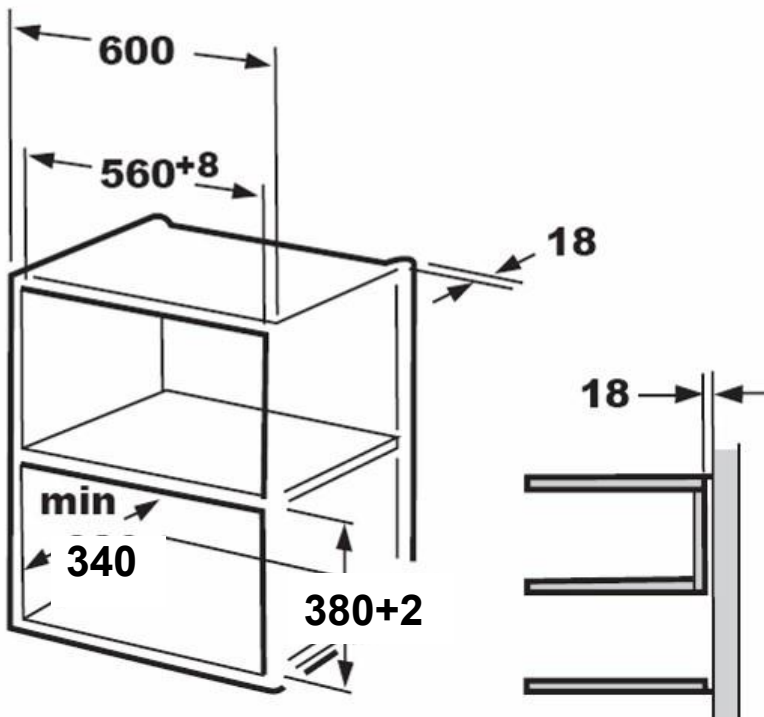
Non coprire le feritoie di ventilazione e i fori di aspirazione.

### Nota:

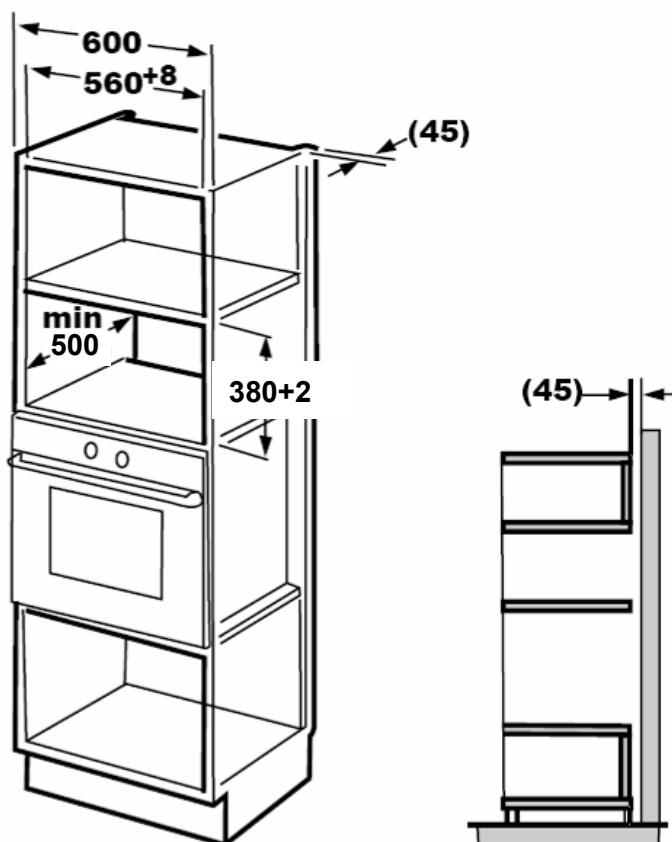
Non comprimere o piegare il cavo di alimentazione.

Non utilizzare sotto la superficie di lavoro e non versare dal contenitore sulla superficie dove è installata l'apparecchiatura.

1.



2.

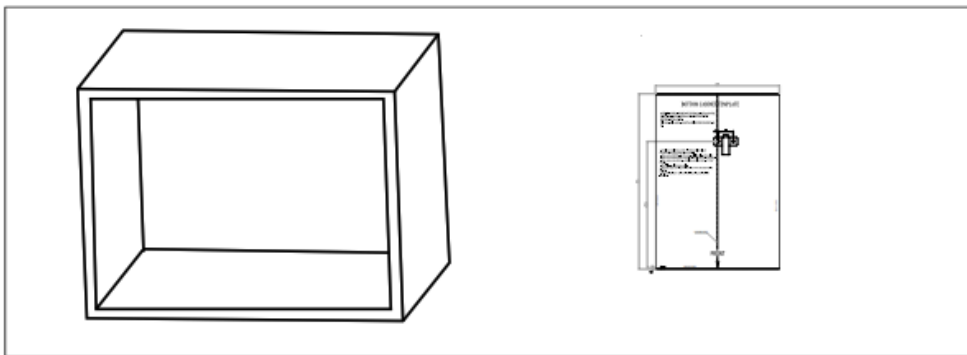


**Nota:**

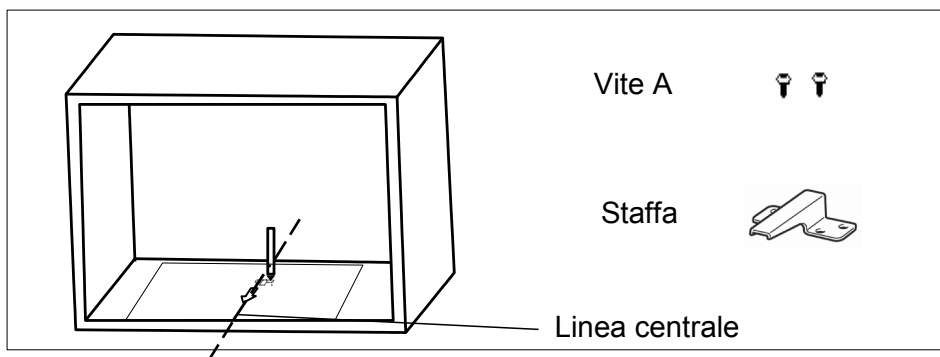
La staffa e la dima per la base del mobile sono necessarie per entrambi i tipi di installazione.

## B. Preparare il mobile

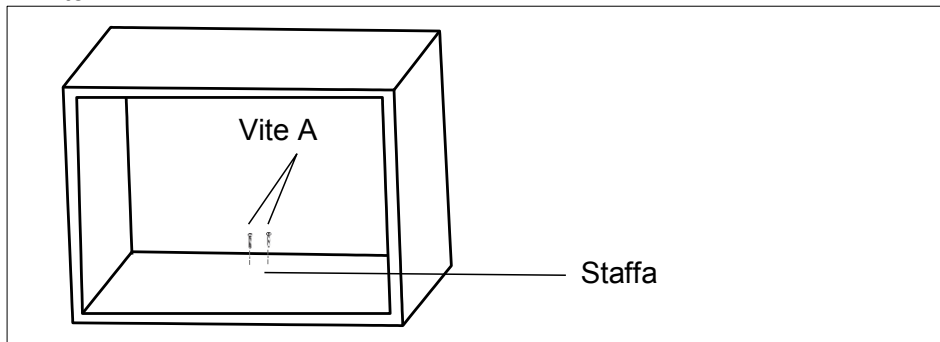
1. Leggere le istruzioni sulla DIMA PER IL MOBILE DI APPOGGIO e posizionare la dima sul piano di appoggio del mobile.



2. Marcare il piano di appoggio del mobile seguendo le marcature "a" della dima



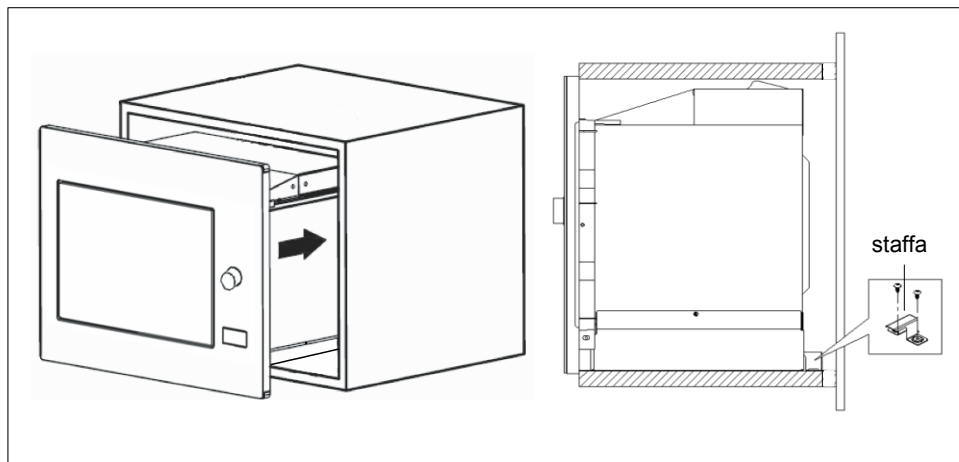
3. Rimuovere la dima dal piano di appoggio del mobile e fissare la staffa con la vite A.



## C. Installare il forno

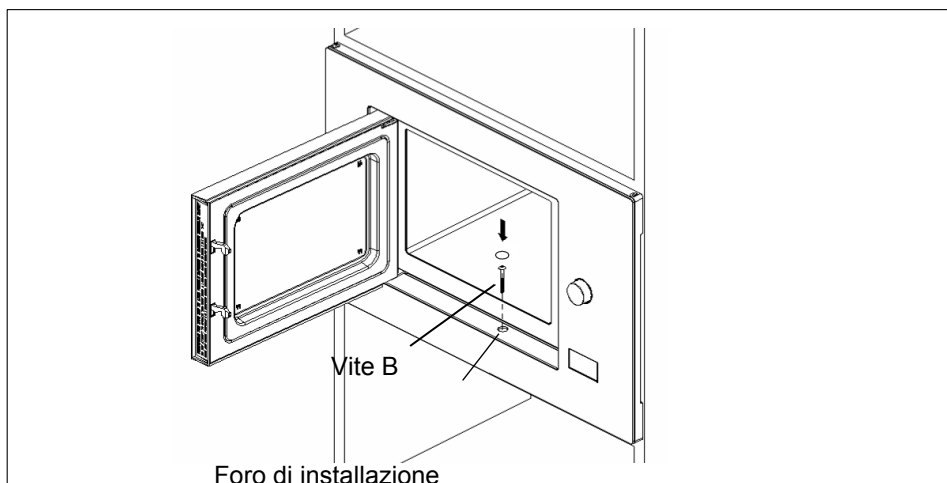
### 4. Installare il forno nel mobile

- Verificare che il retro del forno venga bloccato dalla staffa.
- Non comprimere o piegare il cavo di alimentazione.

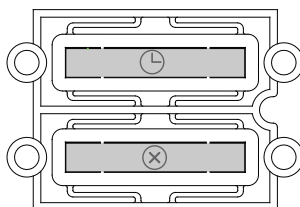
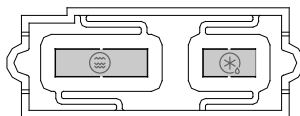
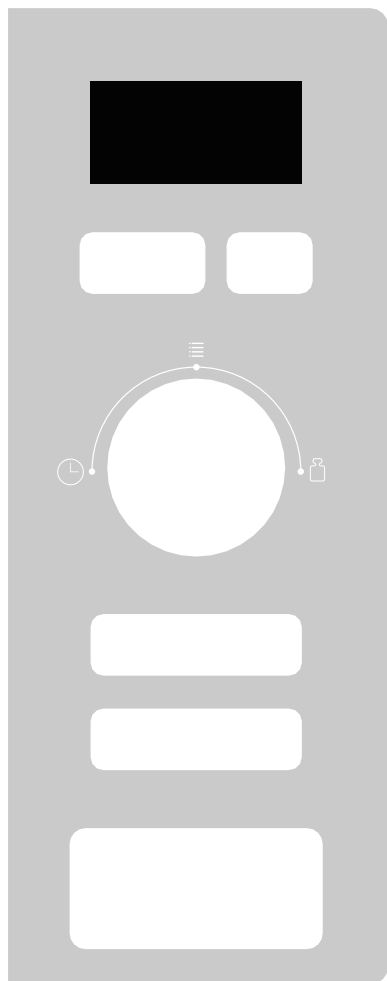


### 5. Aprire la porta, fissare il forno al mobile inserendo la vite B nel foro di installazione.

Applicare quindi la copertura in plastica del kit di finitura nel foro di installazione.



# Pannello comandi



## Instruction:


	Micro./ Grill/Combi.		Weight/Time Defrost
	Kitchen Timer/ Clock		Stop/Clear
	Start/ +30Sec./Confirm		Auto Menu
	Time		Weight

# Istruzioni d'uso


## 1. Impostazione dell'orologio

Quando si collega il forno a microonde alla rete elettrica, sul display compare "0:00" e viene emesso un segnale acustico.

- 1) Premere "**Kitchen Timer/Clock**" (Timer/Orologio) due volte per selezionare la funzione orologio; le cifre dell'ora lampeggiano.
- 

- 2) Ruotare " " per regolare l'ora a un valore compreso tra 0 e 23.
- 

- 3) Premere "**Kitchen Timer/Clock**" (Timer/Orologio); le cifre dei minuti lampeggiano.
- 

- 4) Ruotare " " per regolare i minuti a un valore compreso tra 0 e 59.
- 


- 5) Premere "**Kitchen Timer/Clock**" (Timer/Orologio) per terminare l'impostazione dell'orologio. ":" lampeggia e il display mostra l'ora corrente.


**Nota:** 1) Se l'orologio non viene impostato, il display non mostra l'ora quando si accende l'apparecchio.

- 2) Durante la procedura di impostazione dell'orologio, se si preme "**Stop/Clear**" (Stop/Cancel) il forno torna automaticamente allo stato precedente.

## 2. Cottura a microonde


Premere "**Micro./Grill/Combi.**" (Micro./Grill/Combi.) una volta; lo schermo mostrerà "P100".

Premere "**Micro./Grill/Combi.**" (Micro./Grill/Combi.) ripetutamente o ruotare " " per scegliere la potenza desiderata; ad ogni pressione del tasto il display mostrerà "P100", "P 80", "P 50", "P 30", "P 10", "G", "C-1" o "C-2". Premere "**Start/+30Sec./Confirm**" (Avvio/+30Sec./Conferma) per


confermare, quindi ruotare " " per impostare il tempo di cottura tra 0:05 e 95:00. Premere nuovamente "**Start/+30Sec./Confirm**" (Avvio/+30Sec./Conferma) per avviare la cottura.

Esempio: se si intende utilizzare l'80% della potenza microonde per una cottura di 20 minuti, azionare il forno come illustrato nei punti seguenti.

- 1) Premere "**Micro./Grill/Combi.**" (Micro./Grill/Combi.) una volta; il display mostra "P100".
- 

- 2) Premere nuovamente "**Micro./Grill/Combi.**" (Micro./Grill/Combi.) o ruotare " " per scegliere l'80% di potenza delle microonde.
- 

- 3) Premere "**Start/+30Sec./Confirm**" (Avvio/+30Sec./Conferma) per confermare; il display mostra "P 80".
- 

- 4) Ruotare " " per regolare il tempo di cottura finché sul display compare "20:00".
- 

- 5) Premere "**Start/+30Sec./Confirm**" (Avvio/+30Sec./Conferma) per avviare la cottura.




**Nota:** quando si regola il tempo di cottura, il valore viene incrementato con i seguenti intervalli:

0---1	min:	5 secondi
1---5	min:	10 secondi
5---10	min:	30 secondi
10---30	min:	1 minuto
30---95	min:	5 minuti

"Micro./Grill/Combi." Selezione	Istruzioni pannello Display	Microonde Alimentazione	Grill Alimentazione
1	P100	100%	
2	P 80	80%	
3	P 50	50%	
4	P 30	30%	
5	P 10	10%	
6	G	0%	100%
7	C-1	55%	45%
8	C-2	36%	64%

### 3. Cottura grill o combinata

Premere "**Micro./Grill/Combi.**" (Micro./Grill/Combi.); sul display compare "P100". Quindi

premere ripetutamente "**Micro./Grill/Combi.**" (Micro./Grill/Combi.) o ruotare " " per scegliere la potenza desiderata; ad ogni pressione il display mostra "P100", "P 80", "P 50", "P 30", "P 10", "G", "C-1" o "C-2". Premere "**Start/+ 30Sec./Confirm**" (Avvio/+30Sec./Conferma)


per confermare, quindi ruotare " " per impostare il tempo di cottura tra 0:05 a 95:00. Premere nuovamente "**Start/+ 30Sec./Confirm**" (Avvio/+30Sec./Conferma) per avviare la cottura.

Esempio: se si intende utilizzare il 55% della potenza microonde e il 45% della potenza Grill (C-1) per una cottura di 10 minuti, azionare il forno come illustrato nei punti seguenti.

1) Premere "**Micro./Grill/Combi.**" (Micro./Grill/Combi.) una volta; il display mostra "P100".

2) Premere "**Micro./Grill/Combi.**" (Micro./Grill/Combi.) sei volte, oppure ruotare " " per scegliere la modalità combi. 1.

3) Premere "**Start/+30Sec./Confirm**" (Avvio/+30Sec./Conferma) per confermare; il display mostra "C-1".

4) Ruotare " " per regolare il tempo di cottura finché sul display compare "10:00".


5) Premere "**Start/+30Sec./Confirm**" (Avvio/+30Sec./Conferma) per avviare la cottura.

**Nota:** a metà del tempo impostato per la cottura in modalità grill, il forno emette un doppio segnale acustico; questo fa parte del normale funzionamento. Per migliorare il risultato della cottura in modalità grill, si consiglia di girare gli alimenti, chiudere la porta e premere "**Start/+30Sec./Confirm**" (Avvio/+30Sec./Conferma) per continuare la cottura. In caso contrario, il forno continua la fase di cottura.

#### 4. Avvio rapido

- 1) Con il forno in standby, premere "**Start/+30Sec./Confirm**" (Avvio/+30Sec./Conferma) per avviare la cottura alla potenza del 100% per 30 secondi; ad ogni pressione successiva del tasto il tempo di cottura aumenta di 30 secondi, fino a un massimo di 95 minuti.
- 2) In modalità di cottura a microonde, grill o combinata, o in modalità di scongelamento a tempo, ogni pressione di "**Start/+30Sec./Confirm**" (Avvio/+30Sec./Conferma) fa aumentare di 30 secondi il tempo di cottura.




- 3) Con il forno in standby, ruotare "  " verso sinistra per impostare il tempo di cottura con la potenza delle microonde al 100%. Dopo avere selezionato il tempo di cottura, premere "**Start/+30Sec./Confirm**" (Avvio/+30Sec./Conferma) per avviare la cottura.

#### 5. Scongelamento in base al peso

- 1) Premere "**Weight/Time Defrost**" (Scongelamento a tempo/a peso); sul display compare "dEF1".
- 




- 2) Ruotare "  " per selezionare il peso dell'alimento tra 100 e 2000 g.
- 
- 3) Premere "**Start/+30Sec./Confirm**" (Avvio/+30Sec./Conferma) per avviare lo scongelamento.

#### 6. Scongelamento a tempo

- 1) Premere due volte "**Weight/Time Defrost**" (Scongelamento a tempo/a peso); sul display compare "dEF2".
- 



- 2) Ruotare "  " per selezionare il tempo di scongelamento. Il valore massimo è 95 minuti.
- 
- 3) Premere "**Start/+30Sec./Confirm**" (Avvio/+30Sec./Conferma) per avviare lo scongelamento. La potenza di scongelamento è P 30 e non può essere modificata.

## 7. Timer

(1) Premere "Kitchen Timer/Clock" (Timer/Orologio); sul display compare 00:00.



(2) Ruotare " " per regolare il tempo desiderato. (il valore massimo del tempo cottura è di 95 minuti.)

(3) Premere "Start/+30Sec./Confirm" (Avvio/+30Sec./Conferma) per confermare le impostazioni.

(4) Alla scadenza del tempo impostato vengono emessi cinque segnali acustici.

Se l'orologio era stato impostato (su base 24 ore), il display mostra l'ora corrente.

Nota: il timer non opera secondo il sistema a 24 ore dell'orologio, ma esegue un conteggio indipendente dei minuti.

## 8. Menu Auto



1) Ruotare " " verso destra per scegliere il menu; sul display compaiono le opzioni da "A-1" a "A-8".

---

2) Premere "Start/+30Sec./Confirm" (Avvio/+30Sec./Conferma) per confermare.

---



3) Ruotare " " per selezionare il peso predefinito tra le opzioni del menu.

---

4) Premere "Start/+30Sec./Confirm" (Avvio/+30Sec./Conferma) per avviare la cottura.

Esempio: se si desidera utilizzare il menu "Auto" per cuocere un pesce da 350 g:



1) Ruotare " " in senso orario finché sul display compare "A-6".

---

2) Premere "Start/+30Sec./Confirm" (Avvio/+30Sec./Conferma) per confermare.

---



3) Ruotare " " per selezionare il peso del pesce finché sul display compare "350".

---

4) Premere "Start/+30Sec./Confirm" (Avvio/+30Sec./Conferma) per avviare la cottura.

La tabella menu:


Menu	Peso	Display
A-1	200 g	200
Pizza	400 g	400
A-2	250 g	250
Carni	350 g	350
	450 g	450
A-3	200 g	200
Verdure	300 g	300
	400 g	400
A-4	50 g (con 450 g di acqua fredda)	50
Pasta	100 g (con 800 g di acqua fredda)	100
A-5	200 g	200
Patate	400 g	400
	600 g	600
A-6	250 g	250
Pesce	350 g	350
	450 g	450
A-7	1 bicchiere (120 ml)	1
Bevande	2 bicchieri (240 ml)	2
	3 bicchieri (360 ml)	3
A-8	50 g	50
Popcorn	100 g	100

## 9. Cottura multi-sezione


Per la cottura è possibile impostare al massimo 2 sezioni. Nella cottura multi-sezione, se una delle sezioni prevede la funzione di scongelamento, questa viene sempre impostata come prima sezione.

Esempio: se si intende scongelare il cibo per 5 minuti e quindi cucinare con l'80% della potenza di microonde per 7 minuti, procedere come segue:


- 1) Premere due volte **"Weight/Time Defrost"** (Scongelamento a tempo/a peso); sul display compare "dEF2".

- 
- 2) Ruotare  " per impostare il tempo di scongelamento finché sul display compare "5:00".

- 
- 3) Premere **"Micro./Grill/Combi."** (Micro./Grill/Combi.) una volta; il display mostra "P100".

- 
- 4) Premere nuovamente **"Micro./Grill/Combi."** (Micro./Grill/Combi.) o ruotare  " per scegliere l'80% di potenza delle microonde.

- 
- 5) Premere **"Start/+30Sec./Confirm"** (Avvio/+30Sec./Conferma) per confermare; il display mostra "P 80".

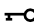
- 
- 6) Ruotare  " per regolare il tempo di cottura finché sul display compare "7:00".

- 
- 7) Premere **"Start/+30Sec./Confirm"** (Avvio/+30Sec./Conferma) per iniziare la cottura; viene emesso un segnale acustico per indicare l'avvio della prima sezione e inizia il conto alla rovescia del tempo di scongelamento. All'inizio della seconda fase di cottura viene emesso nuovamente un segnale acustico. Al termine della cottura vengono emessi cinque segnali acustici.

## 10. Funzione di richiesta dati

- (1) Durante una cottura a microonde, grill o combinata, premendo **"Micro./Grill/Combi."** (Micro./Grill/Combi.) viene visualizzato il livello di potenza corrente per 3 secondi. Dopo 3 secondi, il forno torna a visualizzare la fase precedente.
- (2) In fase di cottura, premendo **"Kitchen Timer/Clock"** (Timer/Orologio) viene visualizzata l'ora per 3 secondi.

## 11. Funzione di blocco di sicurezza

**Blocco:** Con il forno in standby, premere **"Stop/Clear"** (Stop/Cancel) per 3 secondi; viene emesso un lungo segnale acustico per indicare l'attivazione del blocco di sicurezza.  si accende e viene mostrata l'ora corrente (se era stato impostato l'orologio). Diversamente, il display mostra " [ - - - ]".

**Sblocco:** con il forno bloccato, premere **"Stop/Clear"** (Stop/Cancel) per 3 secondi; viene emesso un lungo segnale acustico per indicare che il blocco è stato disattivato.

## Guida alla ricerca guasti

<b>Normal</b>	
Interferenza del forno a microonde con la ricezione TV	Il funzionamento del forno a microonde può interferire con la ricezione di radio e televisione. Si tratta di un'interferenza simile a quella dei piccoli elettrodomestici, come mixer, aspirapolvere e ventilatori. È un fenomeno normale.
Attenuazione della luce del forno	Nella cottura a microonde a bassa potenza, la luce del forno può diventare meno intensa. È un fenomeno normale.
Accumulo di vapore sulla porta, uscita di aria calda dalle aperture di ventilazione	Durante la cottura, gli alimenti caldi possono generare vapore. La maggior parte di questo vapore viene espulsa dalle aperture di ventilazione. Una parte, tuttavia, può accumularsi su superfici più fredde, come quella della porta. È un fenomeno normale.
Il forno viene avviato accidentalmente a vuoto.	Si raccomanda di non avviare mai il forno a vuoto. È molto pericoloso.

<b>Guasto</b>	<b>Possibile causa</b>	<b>Soluzione</b>
Il forno non si avvia.	(1) Il cavo di alimentazione non è collegato correttamente.	Staccare il cavo e reinserirlo dopo 10 secondi.
	(2) Il fusibile brucia o scatta l'interruttore.	Sostituire il fusibile o ripristinare l'interruttore (rivolgersi a un tecnico professionista della nostra azienda)
	(3) Problemi con la presa.	Provare la presa con altri apparecchi elettrici.
Il forno non riscalda.	(4) La porta non è chiusa bene.	Chiudere bene la porta.



In base alla direttiva sui rifiuti di apparecchiature elettriche ed elettroniche (RAEE), i RAEE devono essere raccolti e trattati separatamente. Per lo smaltimento futuro di questo prodotto, si raccomanda di **NON** smaltirlo insieme ai rifiuti domestici. Consegnarlo ove possibile presso i punti di raccolta RAEE.

## INFORMAÇÃO SOBRE SEGURANÇA

Leia o manual do utilizador e as informações de segurança cuidadosamente antes de utilizar o forno.

Guarde o manual para consultar futuramente.

O fabricante não pode ser responsabilizado por eventuais danos que possam ocorrer devido a instalação incorreta e utilização incorreta, inadequada ou não razoável do aparelho.

A segurança elétrica do forno é garantida apenas quando está ligado a um sistema de terra de acordo com os regulamentos válidos.

Para garantir a operação segura e eficiente deste aparelho elétrico:

- Contacte apenas centros de assistência autorizados.
- Não modifique nenhuma funcionalidade do aparelho.

Este aparelho pode ser utilizado por crianças a partir dos 8 anos de idade e por pessoas com capacidades físicas, sensoriais ou mentais reduzidas ou com pouca experiência ou conhecimentos desde que tenham supervisão ou tenham recebido instruções relativas à utilização do aparelho de forma segura e compreendam os riscos inerentes. As crianças não devem brincar com o aparelho. A limpeza e a manutenção do utilizador não devem ser efetuadas por crianças sem supervisão.

Este aparelho não é um brinquedo.  
Não deixe crianças perto do aparelho sem vigilância.  
Não deixe crianças tocarem no aparelho nem nos seus comandos durante e imediatamente após a sua utilização.

**CUIDADO:** Para evitar o risco de reinicialização inadvertida do corte térmico, este aparelho não deve ser ligado através de um dispositivo de comutação externo, como um temporizador, ou ligado a um circuito que é regularmente manuseado à mão pelo utilizador.

Certifique-se de que o aparelho é instalado de forma a poder ser desligado da fonte de alimentação, com uma distância de abertura de contacto que garanta uma desconexão total em condições de sobretensão de categoria III. A fiação fixa deve ter um meio de desconexão incorporado de acordo com as regras de fiação.

Use apenas a sonda de temperatura recomendada para este forno.

O aparelho não deve ser instalado atrás de uma porta decorativa para evitar sobreaquecimento.

**Risco de queimaduras!**

O aparelho fica quente durante a utilização. Deve ter cuidado para evitar tocar em elementos de aquecimento no interior do forno. Mantenha as crianças com idade inferior a 8 anos afastadas do aparelho a menos que estejam vigiadas permanentemente.

**Risco de queimaduras!**

A ponta da pega da porta poderá estar mais quente devido ao ar quente que é ventilado.

Certifique-se sempre de que os botões de controlo estão na posição off quando o forno não está a ser utilizado.



**AVISO:** certifique-se de que o aparelho está desligado antes de substituir a lâmpada, para evitar a possibilidade de choque elétrico.

Não use produtos de limpeza agressivos nem raspadores de metal afiados para limpar o vidro da porta do forno/o vidro das tampas com dobradiças da placa (conforme aplicável), uma vez que podem riscar a superfície e provocar o estilhaçamento do vidro.

Não use aparelhos de limpeza a vapor nem jatos de água diretos.

Se o cabo de alimentação ficar danificado, tem de ser substituído pelo fabricante, pela assistência técnica ou por outra pessoa qualificada para evitar perigo.

# PRECAUÇÕES PARA EVITAR A EXPOSIÇÃO A UMA ENERGIA EXCESSIVA DAS MICRO-ONDAS

- a) Não tente fazer o forno funcionar com a porta aberta pois poderá ficar exposto a radiações micro-ondas nocivas. É importante que os fechos de segurança não sejam danificados nem adulterados.
- b) Não coloque objetos entre a parte frontal do forno e a porta nem deixe acumular resíduos de sujidade ou detergente nas superfícies das juntas de vedação.
- c) AVISO: Caso a porta ou as juntas da mesma se encontrem danificadas, o forno não deverá ser operado até que a porta ou as suas juntas sejam reparadas por uma pessoa competente para o efeito.

## ADENDA

Se o aparelho não for conservado em bom estado de limpeza, as suas superfícies poderão degradar-se, reduzindo assim o tempo de vida útil do aparelho e podendo criar situações de perigo.

### Especificações técnicas

Modelo:	FMW 20 SMP G XS / FSL 20 MW XS / FSL 20 MW BK
Tensão nominal:	230V~50Hz
Potência nominal de entrada (Micro-ondas):	1250W
Potência nominal de saída (Micro-ondas):	800W
Potência nominal de entrada (Grill):	1000W
Capacidade do forno:	20 L
Diâmetro do prato rotativo:	Ø245mm
Dimensões exteriores:	595x343,5x388 mm
Peso líquido:	Aprox. 15 kg

### CONSUMO DE ENERGIA

Informações do produto sobre o consumo de energia e o tempo máximo para atingir o modo de baixo consumo de energia aplicável.

---

Modo de espera	0,8 W
----------------	-------

---

O tempo máximo necessário para que o forno micro-ondas atinja automaticamente o modo ou condição de baixo consumo de energia aplicável.	20 minutos
---	------------

---

# **INSTRUÇÕES IMPORTANTES SOBRE SEGURANÇA**

Para diminuir o risco de incêndio, choque elétrico, ferimento ou exposição excessiva às radiações micro-ondas durante a utilização do eletrodoméstico, recomendamos que siga algumas precauções básicas, nomeadamente as seguintes:

1. Aviso: Os líquidos ou outros alimentos não deverão ser aquecidos em recipientes fechados, uma vez que poderão rebentar.
2. Aviso: É perigoso uma pessoa que não um técnico qualificado proceder a qualquer operação de assistência ou reparação, que envolva a remoção de uma tampa de proteção contra a exposição à energia das micro-ondas.
3. Este aparelho pode ser utilizado por crianças a partir dos 8 anos de idade e por pessoas com capacidades físicas, sensoriais ou mentais reduzidas ou com pouca experiência ou conhecimentos desde que tenham supervisão ou tenham recebido instruções relativas à utilização do aparelho de forma segura e compreendam os riscos inerentes. As crianças não devem brincar com o aparelho. As operações de limpeza e de manutenção do aparelho não devem ser realizadas por crianças, exceto se estas tiverem mais de 8 anos e desde que estejam sob supervisão.
4. Mantenha o aparelho e o respetivo cabo de alimentação fora do alcance de crianças com idade inferior a 8 anos.
5. Utilize apenas utensílios próprios para utilização em fornos micro-ondas.
6. O forno deve ser limpo regularmente e os depósitos de alimentos eliminados.
7. Leia e siga as indicações: "PRECAUÇÕES PARA EVITAR A EXPOSIÇÃO A UMA ENERGIA EXCESSIVA DAS MICRO-ONDAS".
8. Sempre que aquecer alimentos em recipientes de plástico ou de papel vigie o forno micro-ondas, pois existe o risco de ignição.

9. Se verificar a existência de fumo, desligue o forno ou retire a ficha da tomada elétrica e mantenha a porta fechada de modo a abafar quaisquer chamas.
10. Não coza excessivamente os alimentos.
11. Não utilize o forno para armazenamento.
- Não deixe produtos como pão, bolachas, etc., no interior do forno.
12. Remova os fechos de fio metálico e as pegas de metal dos recipientes/sacos de papel ou plástico antes de os introduzir no forno.
13. Instale o forno de acordo com as instruções de instalação que lhe fornecemos.
14. Os ovos com casca, cozidos ou não, não devem ser aquecidos em fornos micro-ondas, pois podem rebentar, mesmo após o aquecimento no forno micro-ondas ter terminado.
15. Este aparelho destina-se a ser utilizado em ambiente doméstico e em aplicações semelhantes, tais como:
- copas para utilização dos funcionários em lojas, escritórios e outros ambientes de trabalho;
  - clientes em hotéis, motéis e outros tipos de ambientes residenciais;
  - quintas de exploração agrícola;
  - ambientes do tipo "bed and breakfast".
16. Se o cabo de alimentação estiver danificado, deverá ser substituído pelo fabricante ou por um técnico de assistência ou pessoas similarmente qualificadas de modo a evitar a ocorrência de situações perigosas.
17. Não armazene nem utilize este aparelho no exterior.
18. Não utilize o micro-ondas junto a água, numa cave húmida ou junto a uma piscina.
19. As superfícies acessíveis poderão aquecer substancialmente durante o funcionamento do aparelho. As superfícies podem aquecer durante a utilização. Mantenha o cabo de alimentação afastado de superfícies quentes e não cubra os orifícios de ventilação do forno.

20. Não deixe o cabo de alimentação a pender da borda da mesa ou da bancada da cozinha.
21. A falta de limpeza do forno poderá provocar a deterioração da sua superfície, situação que poderá afetar o tempo de vida útil do aparelho e provocar possíveis situações perigosas.
22. O conteúdo de biberões e bociões de comida para bebés deverá ser mexido ou agitado e a sua temperatura verificada antes do consumo, de forma a evitar queimaduras.
23. O aquecimento de bebidas no forno micro-ondas pode resultar na fervura posterior das mesmas e, como tal, deverá ter cuidado ao manusear o respetivo recipiente.
24. Este aparelho não se destina a ser utilizado por pessoas (incluindo crianças) com capacidades físicas, sensoriais ou mentais reduzidas, ou com falta de experiência e de conhecimentos, a menos que sejam vigiadas ou que tenham recebido instruções relativas à utilização do aparelho por parte da pessoa responsável pela sua segurança.
25. As crianças devem ser vigiadas a fim de garantir que não brincam com o aparelho.
26. Os aparelhos não se destinam a ser operados por um temporizador externo ou por um sistema de controlo remoto separado.
27. As partes acessíveis podem ficar quentes durante o funcionamento. Mantenha as crianças pequenas afastadas.
28. Não utilize produtos de limpeza a vapor.
29. Durante a utilização o aparelho fica quente. Tenha cuidado para não tocar nos elementos de aquecimento no interior do forno.
30. Utilize apenas o termómetro recomendado para este forno. (Para fornos equipados com sistema que permita a utilização de termómetro).

31. AVISO: O aparelho e os seus componentes acessíveis ficam quentes durante o funcionamento. Deve ter-se cuidado para evitar tocar nos elementos quentes. Mantenha as crianças com idade inferior a 8 anos afastadas do aparelho a menos que estejam vigiadas em permanência.
32. O forno micro-ondas deve funcionar com a porta decorativa aberta. (Para fornos com porta decorativa).
33. A superfície da gaveta pode ficar quente.
34. O forno micro-ondas destina-se ao aquecimento de alimentos e de bebidas. A secagem de alimentos ou roupa e o aquecimento de almofadas de aquecimento, chinelos, esponjas, panos molhados ou objetos semelhantes pode causar o risco de ferimentos, ignição ou incêndio.

**LEIA ATENTAMENTE E GUARDE PARA CONSULTAS FUTURAS**

# Instruções para diminuir o risco de lesões

## Instalação com ligação à terra

### PERIGO

Perigo de choque elétrico Ao tocar nalguns componentes internos, corre o risco de lesões pessoais graves ou morte. Não desmonte o aparelho.

### AVISO

Perigo de choque elétrico O uso impróprio das ligações à terra pode resultar em choque elétrico.

Não ligue o aparelho à tomada antes de este estar corretamente instalado e ligado à terra.

Este aparelho deve ser ligado à terra. Em caso de curto-circuito, a ligação à terra reduz o risco de choque elétrico, fornecendo uma via de escape para a corrente elétrica.

Este aparelho é fornecido com um cabo provido de fio de terra e a respetiva ficha de ligação à terra. A ficha deve ser ligada a uma tomada corretamente instalada e com ligação à terra.

Se não tiver compreendido perfeitamente as instruções de ligação à terra ou em caso de dúvida sobre a qualidade da ligação à terra do eletrodoméstico, consulte um electricista ou técnico qualificado. Caso seja necessário utilizar uma extensão, utilize apenas um cabo com 3 fios.

1. O cabo fornecido com o aparelho é deliberadamente curto, para diminuir o risco de ficar enrolado ou tropeçar, algo que poderia acontecer com um cabo comprido.
2. Caso seja utilizado um cabo comprido ou extensão:
  - 1) A tensão nominal indicada nos cabos ou na extensão deve ser, pelo menos, equivalente à tensão nominal do aparelho.
  - 2) O cabo de extensão deve ser um cabo com ligação à terra de 3 fios.
  - 3) O cabo comprido deve ser disposto de forma a não ficar pendurado na borda da mesa ou na bancada, onde corre o risco de ser puxado por crianças ou em que é possível tropeçar acidentalmente.

## LIMPEZA

Certifique-se de que desligou o aparelho da tomada.

1. Após a utilização, limpe o interior do forno com um pano ligeiramente húmido.
2. Limpe os acessórios normalmente com água e detergente.
3. A moldura da porta, a junta de vedação e as partes adjacentes a estas devem ser limpas com cuidado quando estiverem sujas.
4. Não utilize produtos de limpeza abrasivos nem raspadores afiados metálicos para limpar a porta de vidro do forno, pois estes podem riscar a sua superfície, o que pode resultar na destruição do vidro.
5. Dica de limpeza---Para uma limpeza mais fácil das paredes internas do forno que possam entrar em contacto com os alimentos: coloque meio limão numa taça, adicione 300 ml de água e aqueça com a potência de micro-ondas a 100% durante 10 minutos. Limpe o forno com um pano macio e seco.

## UTENSÍLIOS

### ATENÇÃO

#### **Perigo de lesão pessoal**

É perigoso uma pessoa que não um técnico qualificado proceder a qualquer operação de assistência ou reparação, que envolva a remoção de uma tampa de proteção contra a exposição à energia das micro-ondas.

Leia as instruções em "Materiais que podem ser utilizados no forno micro-ondas ou que devem ser evitados" Alguns utensílios não-metálicos poderão não ser seguros para micro-ondas. Em caso de dúvida, teste o utensílio em questão, procedendo conforme a seguir indicado.

Teste de utensílios:

1. Encha um recipiente próprio para utilização em micro-ondas com uma chávena de água fria (250 ml) e coloque dentro deste o utensílio em questão.
2. Cozinhe na potência máxima durante 1 minuto.
3. Toque com cuidado no utensílio. Se este estiver quente, não o utilize para cozinhar no micro-ondas.
4. Não exceda 1 minuto de tempo de cozedura.



## Materiais que podem ser utilizados no forno micro-ondas

Utensílios	Observações
Prato para dourar	Siga as instruções do fabricante. O fundo do prato para dourar deve estar pelo menos 5 mm acima do prato rotativo. O uso incorreto pode fazer com que o prato rotativo quebre.
Pratos	Apenas os indicados para micro-ondas. Siga as instruções do fabricante. Não use pratos rachados ou lascados.
Frascos de vidro	Remova sempre a tampa. Utilize apenas para aquecer ligeiramente os alimentos. A maior parte dos frascos de vidro não são resistentes ao calor e podem partir-se.
Louça de vidro	Utilize apenas louça de vidro resistente ao calor e própria para utilização em micro-ondas. Assegure-se de que não existem bordos metálicos. Não use pratos rachados ou lascados.
Sacos de cozedura em forno	Siga as instruções do fabricante. Não feche com fecho metálico. Faça cortes no saco para permitir a saída de vapor.
Copos e pratos de papel	Utilize apenas para cozinhar/aquecer durante pouco tempo. Não deixe o forno sem supervisão durante a cozedura.
Guardanapos de papel	Utilize para cobrir os alimentos, para requeitá-los e absorver a gordura. Utilize com supervisão e apenas durante pouco tempo.
Papel vegetal	Utilize como cobertura para evitar salpicos ou para cozinhar alimentos a vapor.
Plástico	Apenas os indicados para micro-ondas. Siga as instruções do fabricante. Deve estar marcado com a inscrição "Indicado para micro-ondas". Alguns recipientes de plástico amolecem quando se aquecem os alimentos dentro deles. Os "sacos para cozedura" e os sacos de plástico hermeticamente fechados têm de ser cortados ou furados previamente, como indicado na própria embalagem.
Película de plástico	Apenas as indicadas para micro-ondas. Utilize para cobrir o alimento durante a cozedura, para reter a humidade. A película não deve estar em contacto com os alimentos.
Termómetros	Somente os indicados para utilização em forno micro-ondas (termómetros para carne e para doces).
Papel encerado	Utilize como cobertura para evitar salpicos e reter a humidade.

## Materiais que devem ser evitados no forno micro-ondas

Utensílios	Observações
Tabuleiro de alumínio	Pode provocar faíscas. Transfira a comida para um prato próprio para micro-ondas.
Recipientes de cartão para alimentos, com pega metálica	Pode provocar faíscas. Transfira a comida para um prato próprio para micro-ondas.
Utensílios de metal ou com partes em metal	O metal protege os alimentos das radiações micro-ondas. As peças em metal podem produzir centelhas.
Fechos metálicos	Podem produzir centelhas e causar um incêndio dentro do forno.
Sacos de papel	Podem causar um incêndio dentro do forno.
Espuma de plástico	A espuma de plástico pode derreter ou contaminar os líquidos no interior quando exposta a temperaturas elevadas.
Madeira	A madeira seca quando utilizada no micro-ondas e pode partir ou rachar.

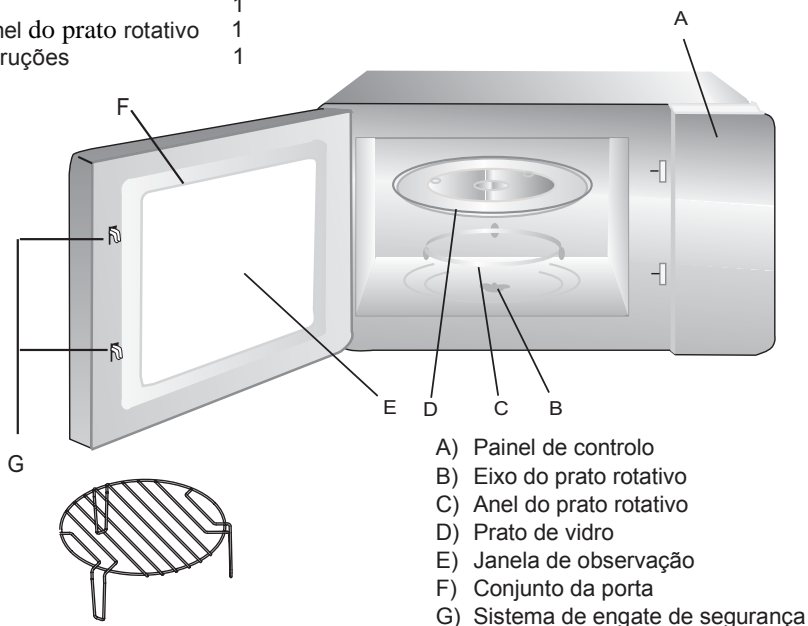
# COMO CONFIGURAR O SEU FORNO

## Nomes das peças do forno e acessórios

Remova o forno e todos os materiais da embalagem e do interior do forno.

O seu forno vem fornecido com os seguintes acessórios:

Prato de vidro	1
Conjunto do anel do prato rotativo	1
Manual de Instruções	1



## Instalação do sistema rotativo

Encaixe (parte inferior)

Prato de vidro

Eixo do prato

Conjunto do anel do

- Nunca coloque o prato de vidro ao contrário. O prato de vidro deve mover-se sempre livremente.
- O prato de vidro e o anel rotativo devem ser sempre utilizados durante a cozedura.
- Todos os alimentos e recipientes devem ser colocados sobre o prato para cozedura.
- Se o prato de vidro ou o anel do prato rotativo se racharem ou partirem, contacte o centro de assistência mais próximo.

## **Instalação e ligação**

1. Este aparelho destina-se exclusivamente a utilização doméstica.
2. Este forno foi concebido apenas para uso encastrado. Não foi concebido para uso em bancadas ou dentro de armários.
3. Cumpra as instruções especiais de instalação.
4. O aparelho pode ser instalado num armário de parede com 60 cm de largura.
5. O aparelho está equipado com uma ficha e só deve ser ligado a uma tomada com uma ligação à terra adequada.
6. A tensão deve corresponder à tensão especificada na placa de especificações.
7. A instalação da tomada e a substituição do cabo só devem ser efetuadas por um electricista qualificado. Se a ficha não ficar acessível após a instalação, no local da instalação deve ser colocado um dispositivo de desligação com uma folga de contacto de, pelo menos, 3 mm.
8. Não devem ser usados adaptadores, fichas múltiplas ou extensões. A sobrecarga pode resultar em risco de incêndio.

**A superfície acessível pode aquecer durante o funcionamento.**



# Instruções de Instalação

## Leia o manual antes de instalar o aparelho

### Lembre-se

#### Ligação elétrica

O forno está equipado com uma ficha e só deve ser ligado a uma tomada com uma ligação à terra adequada. A instalação da tomada e a substituição do cabo só devem ser efetuadas por um electricista qualificado e em conformidade com os regulamentos aplicáveis.

Se a ficha não ficar acessível após a instalação, no local da instalação deve ser colocado um dispositivo de desligação com uma folga de contacto de, pelo menos, 3 mm.

O armário de encastrar não deverá ter uma parede atrás do aparelho.

Mantenha um espaço livre entre a parede e a base da unidade.

Os diagramas mostram as dimensões dos espaços livres.

Altura mínima de instalação: 85 cm

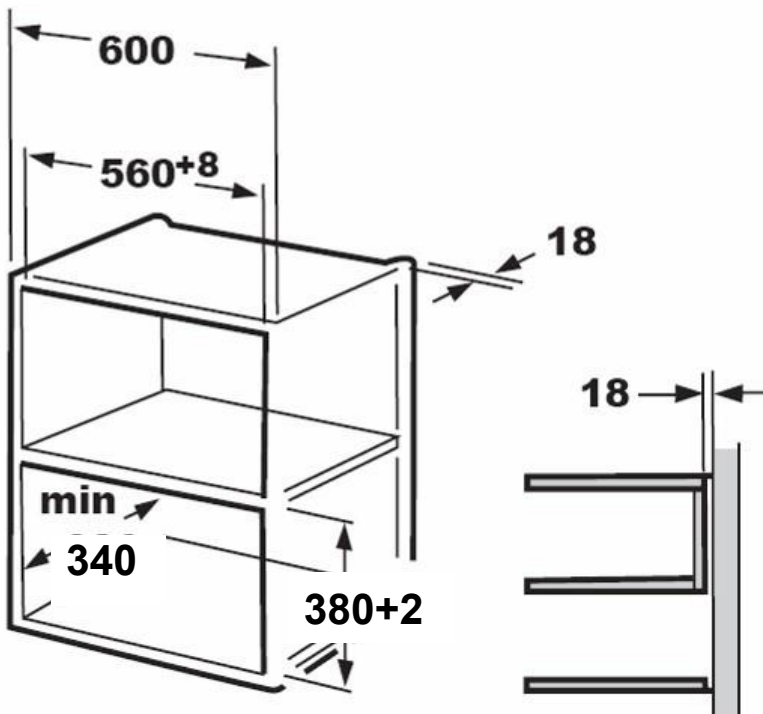
Não cubra as saídas de ventilação e pontos de entrada de ar.

#### Nota:

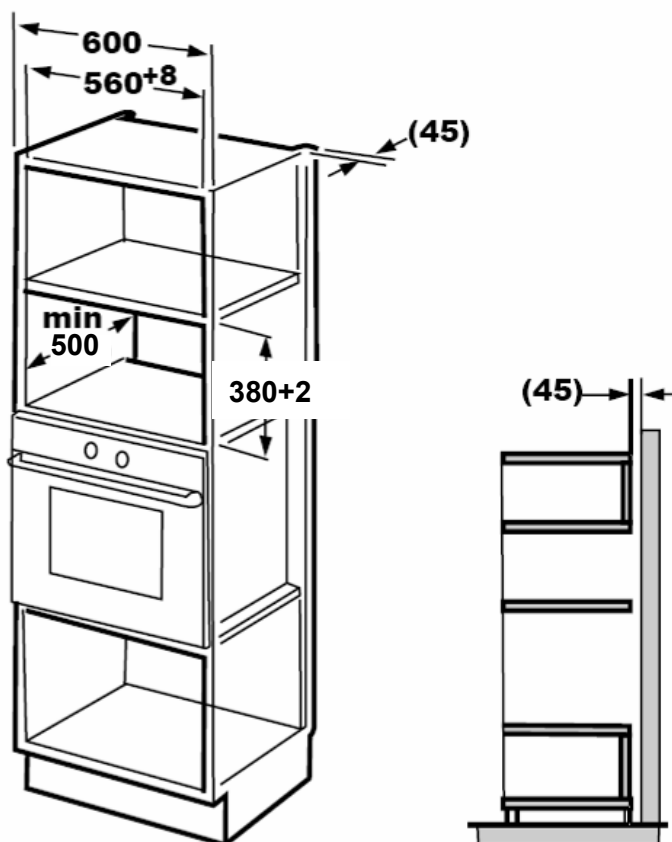
Não prenda ou dobre o cabo de alimentação.

Não use sob uma superfície de trabalho e não despeje do recipiente na superfície onde o aparelho está conectado.

1.



2.

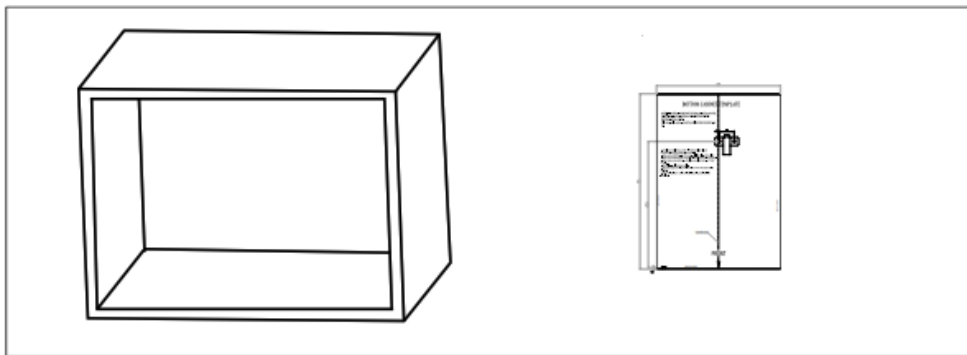


**Nota:**

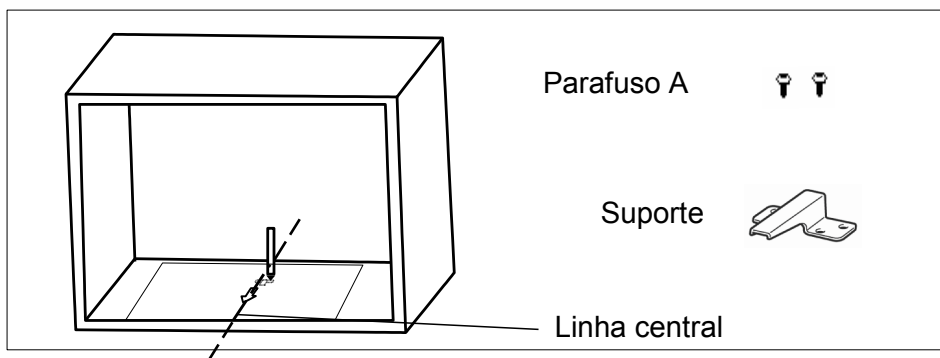
Ambos os tipos de instalação necessitam do suporte e do modelo do fundo do armário.

## B. Preparação do armário

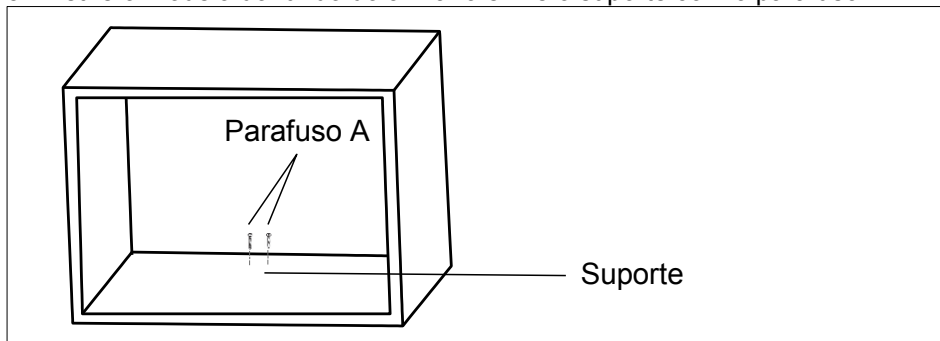
1. Leia as instruções indicadas em **MODELO DO FUNDO DO ARMÁRIO**, coloque o modelo na superfície inferior do armário.



2. Marque o fundo do armário de acordo com as marcas "a" do modelo



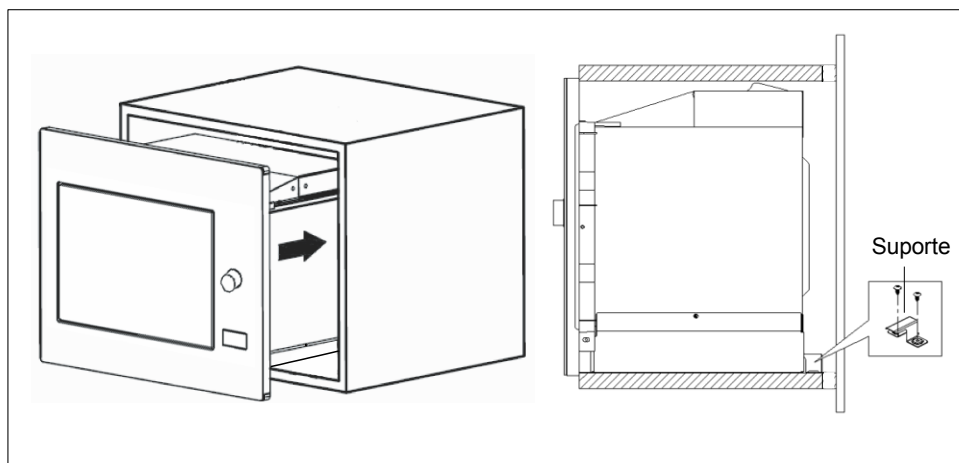
3. Retire o modelo do fundo do armário e fixe o suporte com o parafuso A.



## C. Instalação do forno

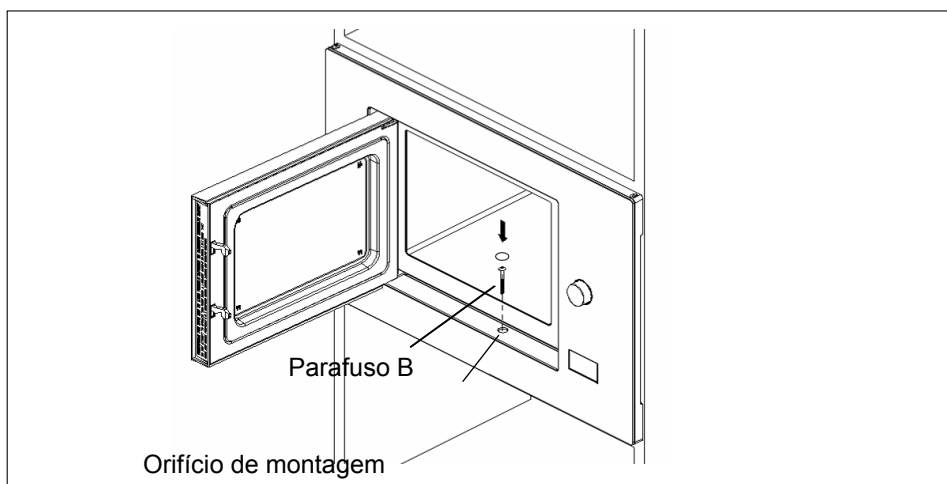
### 4. Instale o forno no armário

- Certifique-se de que a parte posterior do forno está fixa com o suporte.
- Não prenda ou dobre o cabo de alimentação.

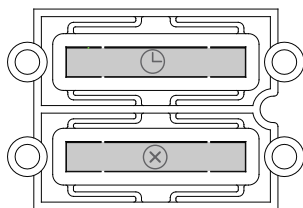
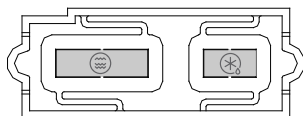
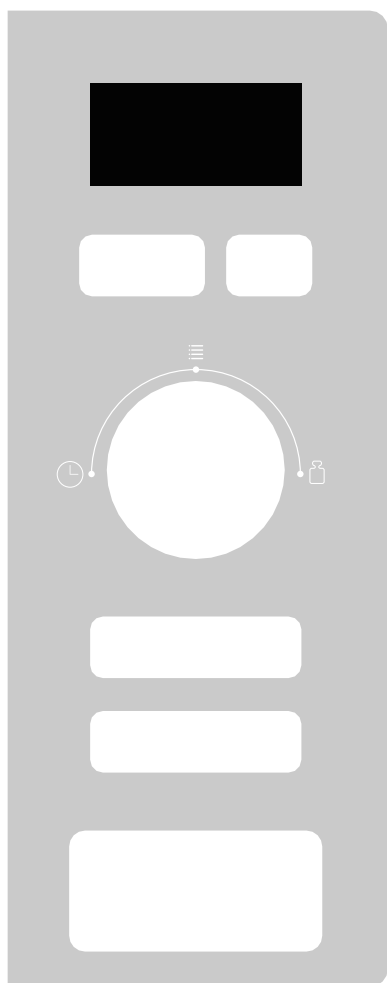


### 5. Abra a porta, fixe o forno ao armário com o parafuso B através do orifício de montagem.

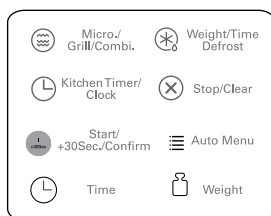
Em seguida, tape o orifício de montagem com a tampa plástica.



## Painel de controlo



## Instruction:





# Instruções de funcionamento

## 1. Acerto do relógio

Quando o forno micro-ondas é ligado, o mesmo apresenta a mensagem "0:00" e emite um sinal sonoro.

- 1) Prima "Kitchen Timer/Clock" (Temporizador/Relógio) duas vezes para selecionar a função do relógio; os algarismos das horas começam a piscar.
- 



- 2) Rode " " para definir as horas; o número de horas introduzido deve estar compreendido entre 0–23.
- 

- 3) Prima "Kitchen Timer/Clock" (Temporizador/Relógio); os algarismos dos minutos começam a piscar.
- 



- 4) Rode " " para definir os minutos; o número de minutos introduzido deve estar compreendido entre 0–59.
- 

- 5) Prima "Kitchen Timer/Clock" (Temporizador/Relógio) para completar o acerto do relógio. ":" começa a piscar e a hora ilumina-se.

- Nota:**
- 1) Se não acertar o relógio, o micro-ondas não funcionará quando estiver ligado.
  - 2) Se, durante o acerto do relógio, premir "Stop/Clear" (Parar/Cancelar), o forno regressará automaticamente ao estado anterior.

## 2. Cozedura com micro-ondas

Prima "Micro./Grill/Combi." (Micro-ondas/Grill/Combinado) uma vez; o visor indicará "P100". Prima

"Micro./Grill/Combi." (Micro-ondas/Grill/Combinado) repetidamente ou rode " " para selecionar a potência pretendida, surgindo, a cada pressão, as indicações "P100", "P 80", "P 50", "P 30", "P 10", "G", "C-1" ou "C-2". Em seguida, prima "Start/+30Sec./Confirm" (Iniciar/+30seg./Confirmar) para



confirmar, e rode " " para definir o tempo de cozedura de 0:05 a 95:00. Prima "Start/+30Sec./Confirm" (Iniciar/+30seg./Confirmar) novamente para iniciar a cozedura.

Exemplo: Se pretender utilizar 80% da potência do micro-ondas para cozinhar durante 20 minutos, pode seguir os seguintes passos.

- 1) Prima "Micro./Grill/Combi." (Micro-ondas/Grill/Combinado) uma vez; o visor indicará "P100".
- 

- 2) Prima "Micro./Grill/Combi." (Micro-ondas/Grill/Combinado) novamente ou rode " " para selecionar uma potência de 80%.
- 

- 3) Prima "Start/+30Sec./Confirm" (Iniciar/+30seg./Confirmar) para confirmar; o visor indicará "P 80".
- 



- 4) Rode " " para ajustar o tempo de cozedura até que o visor do forno indique "20:00".
- 

- 5) Prima "Start/+30Sec./Confirm" (Iniciar/+30seg./Confirmar) para iniciar a cozedura.


**Nota:** Os níveis para regulação do tempo de programação são os seguintes:

0---1	min:	5 segundos
1---5	min:	10 segundos
5---10	min:	30 segundos
10---30	min:	1 minuto
30---95	min:	5 minutos

"Micro./Grill/Combi." (Micro-ondas/ Grill/Combinado) Ordem	Instruções de teclado Visor	Micro-ondas Potência	Grill Potência
1	P100	100%	
2	P 80	80%	
3	P 50	50%	
4	P 30	30%	
5	P 10	10%	
6	G	0%	100%
7	C-1	55%	45%
8	C-2	36%	64%

### 3. Cozedura com Grill ou Combinada

Prima **"Micro./Grill/Combi."** (Micro-ondas/Grill/Combinado) uma vez, o visor indicará "P100"; e

prima **"Micro./Grill/Combi."** (Micro-ondas/Grill/Combinado) repetidamente ou rode  para selecionar a potência, surgindo, a cada pressão, as indicações "P100", "P 80", "P 50", "P 30", "P 10", "G", "C-1" ou "C-2". Em seguida, prima **"Start/+30Sec./Confirm"**

(Iniciar/+30seg./Confirmar) para confirmar, e rode  para definir o tempo de cozedura

desde 0:05 a 95:00 Prima **"Start/+30Sec./Confirm"** (Iniciar/+30seg./Confirmar) novamente para iniciar a cozedura.

Exemplo: Se pretender utilizar 55% da potência do micro-ondas e 45% da potência do grelhador (C-1) para cozinhar durante 10 minutos, pode seguir os seguintes passos.

1) Prima **"Micro./Grill/Combi"** (Micro-ondas/Grill/Combinado) uma vez; o visor indicará "P100".

2) Prima **"Micro./Grill/Combi"** (Micro-ondas/Grill/Combinado) 6 vezes ou rode  para selecionar o modo combi. 1.

3) Prima **"Start/+30Sec./Confirm"** (Iniciar/+30seg./Confirmar) para confirmar; o visor indicará "C-1".

4) Rode  para ajustar o tempo de cozedura até que o visor do forno indique "10:00".


5) Prima **"Start/+30Sec./Confirm"** (Iniciar/+30seg./Confirmar) para iniciar a cozedura.

**Nota:** A meio do tempo de cozedura com grill, o forno emite dois sinais sonoros. Isto é normal. Para obter melhores resultados ao grelhar alimentos, vire os alimentos, feche a porta e, em seguida, prima "**Start/+30Sec./Confirm**" (Iniciar/+30seg./Confirmar) para continuar a cozedura. Caso não efetue esta operação, o forno continuará a trabalhar.

#### 4. Início rápido

- 1) No modo de espera, prima "**Start/+30Sec./Confirm**" (Iniciar/+30seg./Confirmar) para dar início à cozedura em potência máxima, durante 30 segundos. Cada premir de tecla aumentará o tempo de cozedura em 30 segundos até um máximo de 95 minutos.
- 2) No modo micro-ondas, cozedura com grill ou combinada ou descongelação por tempo, cada pressão em "**Start/+30Sec./Confirm**" (Iniciar/+30seg./Confirmar) acrescenta 30 segundos ao tempo de cozedura.




- 3) No modo de espera, rode "" para a esquerda para definir o tempo de cozedura à potência máxima do micro-ondas. Depois de selecionar o tempo de cozedura, prima "**Start/+30Sec./Confirm**" (Iniciar/+30seg./Confirmar) para iniciar a cozedura.

#### 5. Descongelção por peso

- 1) Prima "**Weight/Time Defrost**" (Descongelção por peso/tempo) uma vez; o visor indicará "dEF1".




- 2) Rode "" para selecionar o peso do alimento, de 100 a 2000 g.

- 3) Prima "**Start/+30Sec./Confirm**" (Iniciar/+30seg./Confirmar) para iniciar a descongelção.

#### 6. Descongelção por tempo


- 1) Prima "**Weight/Time Defrost**" (Descongelção por peso/tempo) duas vezes; o visor indicará "dEF2".



- 2) Rode "" para selecionar o tempo de descongelção. A duração MÁX. é de 95 minutos.


- 3) Prima "**Start/+30Sec./Confirm**" (Iniciar/+30seg./Confirmar) para iniciar a descongelção. A potência de descongelção é P 30, não podendo ser alterada.

## 7. Temporizador de cozinha


- 1) Prima "**Kitchen Timer/Clock**" (Temporizador/Relógio) uma vez; o visor indicará 00:00.
- 2) Rode " " para introduzir o tempo pretendido. (A duração máxima de cozedura é de 95 minutos.)
- 3) Prima "**Start/+30Sec./Confirm**" (Iniciar/+30seg./Confirmar) para confirmar os valores.
- 4) Uma vez atingido o tempo de cozedura programado, o sinal sonoro soa 5 vezes.  
Se o relógio tiver sido configurado (sistema de 24 horas), o visor apresentará a hora atual.

Nota: O tempo de cozedura programado é diferente do sistema de 24 horas. É calculado por um temporizador.

## 8. Menu automático


- 1) Rode " " para a direita para selecionar o menu; o visor indicará os valores de "A-1" a "A-8".

---
- 2) Prima "**Start/+30Sec./Confirm**" (Iniciar/+30seg./Confirmar) para confirmar.


---
- 3) Rode " " para selecionar o peso predefinido, conforme a tabela do menu.

---
- 4) Prima "**Start/+30Sec./Confirm**" (Iniciar/+30seg./Confirmar) para iniciar a cozedura.

Exemplo: Caso pretenda utilizar o "Auto Menu" (Menu automático) para cozinhar 350 g de peixe.

- 1) Rode " " no sentido dos ponteiros do relógio até surgir a indicação "A-6".

---
- 2) Prima "**Start/+30Sec./Confirm**" (Iniciar/+30seg./Confirmar) para confirmar.

---
- 3) Rode " " para selecionar o peso do peixe até aparecer no visor a indicação "350".

---
- 4) Prima "**Start/+30Sec./Confirm**" (Iniciar/+30seg./Confirmar) para iniciar a cozedura.

A tabela do menu:

Menu	Peso	Visor
A-1	200 g	200
Pizza	400 g	400
A-2	250 g	250
Carne	350 g	350
	450 g	450
A-3	200 g	200
Legumes	300 g	300
	400 g	400
A-4	50 g (com 450 g de água fria)	50
Massa	100 g (com 800 g de água fria)	100
A-5	200 g	200
Batatas	400 g	400
	600 g	600
A-6	250 g	250
Peixe	350 g	350
	450 g	450
A-7	1 copo (120 ml)	1
Bebida	2 copos (240 ml)	2
	3 copos (360 ml)	3
A-8	50 g	50
Pipocas	100 g	100

## 9. Cozedura multisseções


Permite seleccionar até 2 secções de cozedura. Com a função de cozedura multisseções, se uma secção estiver a descongelar, então a descongelação passa automaticamente a primeira secção.

Exemplo: se quiser descongelar alimentos durante 5 minutos e, em seguida, cozinhá-los à potência do micro-ondas de 80% durante 7 minutos, siga os seguintes passos:

- 1) Prima "**Weight/Time Defrost**" (Descongelação por peso/tempo) duas vezes; o visor indicará "dEF2".
- 

- 2) Rode "" para seleccionar o tempo de descongelação até aparecer no visor a indicação "5:00".
- 

- 3) Prima "**Micro./Grill/Combi.**" (Micro-ondas/Grill/Combinado) uma vez; o visor indicará "P100".
- 

- 4) Prima "**Micro./Grill/Combi.**" (Micro-ondas/Grill/Combinado) novamente ou rode "" para seleccionar uma potência de micro-ondas de 80%.
- 

- 5) Prima "**Start/+30Sec./Confirm**" (Iniciar/+30seg./Confirmar) para confirmar; o visor indicará "P 80".
- 


- 6) Rode "" para ajustar o tempo de cozedura até que o visor do forno indique "7:00".
- 

- 7) Prima "**Start/+30Sec./Confirm**" (Iniciar/+30seg./Confirmar) para iniciar a cozedura; ouve-se um sinal sonoro para indicar a primeira secção e é iniciada a contagem decrescente do tempo de descongelação. Ouve-se um sinal sonoro novamente ao iniciar-se a segunda secção de cozedura. Concluída a cozedura, são emitidos 5 sinais sonoros.

## 10. Função inquiridora

- 1) Nos modos micro-ondas, grill e cozedura combinada, prima "**Micro./Grill/Combi.**" (Micro-ondas/Grill/Combinado), e a potência atual será apresentada no visor durante 3 segundos. Após 3 segundos, o forno regressa ao seu estado anterior.
- 2) No modo de cozedura, prima "**Kitchen Timer/Clock**" (Temporizador/Relógio) para inquirir o tempo restante e o mesmo será apresentado no visor durante 3 segundos.

## 11. Função de bloqueio para crianças

Bloqueio: No modo de espera, prima "**Stop/Clear**" (Parar/Cancelar) durante 3 segundos; ouvirá um longo sinal sonoro indicando que o bloqueio está ativado. O indicador  iluminar-se-á e o visor mostrará a hora atual, se esta tiver sido definida. Caso contrário, o visor mostrará " [ : : ] ".

Desativar o modo de bloqueio para crianças: No modo de bloqueio, prima "**Stop/Clear**" (Parar/Cancelar) durante 3 segundos; ouvirá um longo sinal sonoro indicando a desativação do bloqueio.

## Resolução de problemas

<b>Normal</b>	
Interferências do forno micro-ondas Televisão	Os sinais de rádio e televisão podem sofrer interferências durante o funcionamento do micro-ondas. São interferências similares às produzidas pelos pequenos eletrodomésticos, tais como a bateadeira, o aspirador ou a ventoinha elétrica. É uma situação normal.
Luz com pouca intensidade	Ao cozinhar a baixa potência, a luz do forno micro-ondas pode atenuar-se. É uma situação normal.
Condensação de vapor na porta. Saída de ar quente dos orifícios de ventilação	Ao serem cozinhados, os alimentos podem produzir vapor. A maior parte sai pelos orifícios de ventilação. No entanto, algum desse vapor pode acumular-se nas zonas mais frias, como por exemplo na porta do forno. É uma situação normal.
O aparelho começa a funcionar sem alimentos no interior.	O aparelho não deve funcionar sem alimentos no interior. É muito perigoso.

<b>Problema</b>	<b>Causa possível</b>	<b>Solução</b>
Não é possível ligar o forno.	1) O cabo de alimentação não está bem ligado.	Desligue o aparelho da tomada. Após 10 segundos, volte a ligá-lo.
	2) Fusível fundido ou disparo do disjuntor.	Substitua o fusível ou rearme o disjuntor (reparado por técnicos da nossa empresa)
	3) Problemas na tomada.	Teste o funcionamento da tomada com outros aparelhos elétricos.
O forno não aquece.	4) A porta não está bem fechada.	Feche bem a porta.



Nos termos da Diretiva relativa aos resíduos de equipamentos elétricos e eletrónicos (REEE), estes resíduos devem ser recolhidos e tratados separadamente. Quando pretender eliminar este produto, NÃO o faça juntamente com o lixo doméstico. Se possível, entregue-o num centro de recolha de REEE.

Lesen Sie die Bedienungsanleitung und die Sicherheitsinformationen sorgfältig durch, bevor Sie den Ofen verwenden.

Bewahren Sie das Handbuch zum späteren Nachschlagen auf.

Der Hersteller kann nicht für mögliche Schäden haftbar gemacht werden, die durch falsche Installation und falsche, unsachgemäße oder unangemessener Verwendung des Geräts entstehen können.

Die elektrische Sicherheit des Geräts ist nur dann gewährleistet, wenn es an ein Erdungssystem angeschlossen ist, das den geltenden Vorschriften entspricht.

Um einen sicheren und effizienten Betrieb dieses elektrischen Geräts zu gewährleisten:

- Wenden Sie sich nur an autorisierte Servicecenter.
- Ändern Sie keine Funktionen des Geräts.

Dieses Gerät darf von Kindern ab 8 Jahren und von Personen mit eingeschränkten körperlichen, sensorischen oder geistigen Fähigkeiten oder mangelnder Erfahrung und Kenntnissen nur verwendet werden, wenn sie beaufsichtigt oder in Bezug auf die Verwendung des Geräts auf sichere Weise eingewiesen wurden und die damit verbundenen Gefahren verstehen haben. Kinder dürfen nicht mit dem Gerät spielen. Unbeaufsichtigte Kinder dürfen das Gerät nicht reinigen oder warten.

Dieses Gerät ist kein Spielzeug.

Lassen Sie Kinder nicht unbeaufsichtigt in der Nähe des Gerätes.

Lassen Sie Kinder das Gerät oder dessen Bedienelemente während und unmittelbar nach dem Gebrauch nicht berühren.



**ACHTUNG:** Um eine Gefährdung durch versehentliches Rücksetzen der thermischen Abschaltung zu vermeiden, darf dieses Gerät nicht durch ein externes Schaltgerät, wie z.B. eine Zeitschaltuhr, versorgt oder an einen Stromkreis angeschlossen werden, der regelmäßig vom Stromnetz ein- und ausgeschaltet wird.

Stellen Sie sicher, dass das Gerät so installiert ist, dass es vom Stromnetz getrennt werden kann, mit einem Kontaktöffnungsabstand, der eine vollständige Abschaltung bei Überspannungen der Kategorie III gewährleistet. Die Trennvorrichtung ist gemäß den Verkabelungsvorschriften in die feste Verkabelung einzubinden.

Verwenden Sie nur den für dieses Gerät empfohlenen Temperaturfühler.

Das Gerät sollte nicht hinter einer Dekortür installiert werden, um eine Überhitzung zu vermeiden.

**WARNUNG: Verbrennungsrisiko!**

Während des Betriebs wird das Gerät heiß. Es ist darauf zu achten, die Heizelemente im Gerät nicht zu berühren. Kinder unter 8 Jahren dürfen sich dem Gerät nur unter Aufsicht nähern.

**Verbrennungsrisiko!**

Das Ende des Türgriffs kann heißer sein, weil heiße Luft abgelassen wird.

Vergewissern Sie sich immer, dass die Bedienknöpfe ausgeschaltet sind, wenn das Gerät nicht benutzt wird.

**WARNUNG:** Stellen Sie sicher, dass das Gerät ausgeschaltet ist, bevor Sie die Lampe auswechseln, um die Gefahr eines Stromschlags zu vermeiden.

Verwenden Sie keine scharfen Scheuermittel oder scharfe Metallschaber, um das Glas der Gerätetür/das Glas der Klappdeckel der Kochstelle zu reinigen (je nach Bedarf), da diese die Oberfläche zerkratzen und das Glas zerbrechen können. Verwenden Sie keine Dampfreiniger oder direkten Wasserstrahlen.

Wenn das Netzkabel beschädigt ist, muss es vom Hersteller, seinem Kundendienst oder ähnlich qualifizierten Personen ausgetauscht werden, um eine Gefahr zu vermeiden.

Warnung: Flüssigkeiten und andere Lebensmittel dürfen nicht in versiegelten Behältern erhitzt werden, da sie explodieren können.

Warnung: Es ist gefährlich für jeden, der keine kompetente Person ist, die Durchführung von Wartungs- oder Reparaturarbeiten, bei denen eine Abdeckung entfernt wird, die Schutz vor Mikrowellenenergie bietet.

Bewahren Sie das Gerät und das Kabel außerhalb der Reichweite von Kindern unter 8 Jahren auf.

Verwenden Sie nur Utensilien, die für die Verwendung in der Mikrowelle geeignet sind

Der Ofen sollte regelmäßig gereinigt und eventuelle Speisereste entfernt werden.

Beobachten Sie beim Erhitzen von Lebensmitteln in Kunststoff- oder Papierbehältern das Mikrowellengerät, da möglicherweise Zündfunken auftreten können.

Bei Rauchentwicklung das Gerät ausschalten oder den Netzstecker ziehen und die Tür geschlossen halten, um Flammen zu ersticken.

Eier in der Schale und ganze hartgekochte Eier sollten nicht in Mikrowellengeräten erhitzt werden, da sie explodieren können, selbst wenn die Mikrowellenheizung beendet ist.

Dieses Gerät ist für den Gebrauch in Haushaltsanwendungen und ähnlichen Anwendungen konzipiert wie:

- Mitarbeiterküchen in Geschäften, Büros und anderen Arbeitsumgebungen;
- von Kunden in Hotels, Motels und anderen Wohnumgebungen;
- Bauernhäuser;
- Bed & Breakfast-Umgebungen.

Wenn das Netzkabel beschädigt ist, muss es vom Hersteller, seinem Kundendienst oder ähnlich qualifizierten Personen ausgetauscht werden, um eine Gefahr zu vermeiden.

Wenn das Gerät nicht in einem sauberen Zustand gehalten wird, kann dies zu einer Verschlechterung der Oberfläche führen, die die Lebensdauer des Geräts beeinträchtigen und möglicherweise zu einer gefährlichen Situation führen kann.

Der Inhalt von Fläschchen und Babynahrungsmitteln muss vor dem Verzehr gerührt oder geschüttelt und die Temperatur überprüft werden, um Verbrennungen zu vermeiden.

Das Erhitzen von Getränken in der Mikrowelle kann zu einem verzögerten Sieden führen, daher ist beim Umgang mit dem Behälter Vorsicht geboten.

Das Mikrowellengerät muss mit geöffneter Deko-Tür betrieben werden.

Das Mikrowellengerät ist zum Erhitzen von Speisen und Getränken bestimmt. Das Trocknen von Speisen oder Kleidungsstücken und das Erwärmen von Wärmekissen, Hausschuhen, Schwämmen, feuchten Tüchern u.ä. kann zu Verletzungen, Entzündung oder Feuer führen.

**WARNUNG:** Wenn die Türdichtungen beschädigt sind, darf das Gerät nicht betätigt werden, bevor es von einer ausgebildeten Person repariert wurde.

Dieses Gerät ist nur für den Hausgebrauch bestimmt.

Dieses Gerät ist nur für den Einbau gedacht. Er ist nicht für die Verwendung auf der Arbeitsplatte oder für die Verwendung in einem Schrank vorgesehen.

# Zur Reduzierung der Verletzungsgefahr von Personen Erdungssysteme installieren

## **GEFAHR**

Gefahr durch Stromschlag  
Das Berühren einiger interner Komponenten kann zu schweren Verletzungen oder zum Tod führen. Zerlegen Sie dieses Gerät nicht.

## **WARNUNG**

Gefahr durch Stromschlag  
Eine unsachgemäße Verwendung der Erdung kann zu einem elektrischen Schlag führen. Stecken Sie den Stecker nicht in eine Steckdose, bis das Gerät ordnungsgemäß installiert und geerdet ist.

Dieses Gerät muss geerdet sein. Im Falle eines elektrischen Kurzschlusses verringert die Erdung das Risiko eines Stromschlags, indem ein Ableiter für den elektrischen Strom vorgesehen wird. Dieses Gerät verfügt über ein Kabel mit einem Erdungsdraht und einem Erdungsstecker. Der Stecker muss an eine Steckdose angeschlossen werden, die ordnungsgemäß installiert und geerdet ist.

Wenden Sie sich an einen qualifizierten Elektriker oder einen Kundendienstmitarbeiter, wenn die Erdungsanweisungen nicht vollständig verstanden werden oder wenn Zweifel bestehen, ob das Gerät ordnungsgemäß geerdet ist.

Wenn Sie ein Verlängerungskabel verwenden müssen, verwenden Sie nur ein 3-Draht-Verlängerungskabel.

1. Ein kurzes Netzkabel wird mitgeliefert, um die Risiken zu verringern, die sich aus dem Verwickeln in oder einem Stolpern über ein längeres Kabel ergeben.

2. Wenn ein langes Kabel oder ein Verlängerungskabel verwendet wird:

1) Die gekennzeichnete elektrische Leistung des Kabelsatzes oder des Verlängerungskabels sollte mindestens so hoch sein wie die elektrische Leistung des Geräts.

2) Das Verlängerungskabel muss ein 3-adriges Erdungskabel sein.

3) Das lange Kabel sollte so angeordnet sein, dass es nicht über die Arbeitsplatte oder die Tischplatte fällt, wo es von Kindern gezogen werden kann oder unbeabsichtigt darüber gestolpert wird.

- Nicht zu lange kochen.
- Verwenden Sie den Garraum nicht zur Aufbewahrungszweck.
- Bewahren Sie keine Gegenstände wie Brot, Kekse usw. im Ofen auf.
- Entfernen Sie Drahtbinder und Metallgriffe aus Papier- oder Kunststoffbehältern / Beuteln, bevor Sie sie in den Ofen stellen.
- Installieren oder lokalisieren Sie diesen Ofen nur gemäß den mitgelieferten Installationsanweisungen
- Lagern oder verwenden Sie dieses Gerät nicht im Freien.
- Verwenden Sie diesen Ofen nicht in der Nähe von Wasser, in einem feuchten Keller oder in der Nähe eines Schwimmbekens.
- Die Temperatur der zugänglichen Oberflächen kann während des Betriebs hoch sein.
- Die Oberflächen können während des Gebrauchs heiß werden.
- Halten Sie das Kabel von der beheizten Oberfläche fern und verdecken Sie keine Öffnungen am Ofen.
- Lassen Sie das Kabel nicht über die Tischkante oder die Theke hängen.
  
- Versuchen Sie nicht, diesen Ofen bei geöffneter Tür zu betreiben, da dies zu schädlicher Einwirkung von Mikrowellenenergie führen kann. Es ist wichtig, dass die Sicherheitsverriegelungen nicht beschädigt oder beschädigt werden.
- Stellen Sie keine Gegenstände zwischen die Vorderseite des Ofens und die Tür, und setzen Sie keine Schmutz- oder Reinigungsmittelrückstände auf den Dichtflächen ab.

# REINIGUNG

Trennen Sie das Gerät unbedingt von der Stromversorgung.

1. Reinigen Sie den Garraum des Ofens nach dem Gebrauch mit einem leicht angefeuchteten Tuch.
2. Reinigen Sie die Zubehörteile wie gewohnt in Seifenwasser.
3. Der Türrahmen und die Dichtung sowie angrenzende Teile müssen bei Verschmutzung sorgfältig mit einem feuchten Tuch gereinigt werden.
4. Verwenden Sie keine scharfen Scheuermittel oder scharfen Metallschaber zum Reinigen der Ofentür, da diese die Oberfläche zerkratzen und das Glas zerbrechen können.
5. Reinigungstipp --- Zum leichteren Reinigen der Hohlraumwände, die das Gargut berühren können: Geben Sie eine halbe Zitrone in eine Schüssel, fügen Sie 300 ml Wasser hinzu und erhitzen Sie sie bei 100% Mikrowellenleistung 10 Minuten. Wischen Sie den Ofen mit einem weichen, trockenen Tuch sauber. Wischen Sie den Ofen mit einem weichen, trockenen Tuch sauber.

# UTENSILIEN

## ACHTUNG

**Verletzungsgefahr** Es ist gefährlich für jeden, der keine kompetente Person ist, die Durchführung von Wartungs- oder Reparaturarbeiten, bei denen eine Abdeckung entfernt wird, die Schutz vor Mikrowellenenergie bietet.

Lesen Sie die Anweisungen unter "Materialien, die Sie im Mikrowellengerät verwenden können oder die im Mikrowellengerät vermieden werden sollen" Es können bestimmte nichtmetallische Utensilien vorhanden sein, die nicht für die Verwendung in der Mikrowelle geeignet sind. Im Zweifelsfall können Sie das betroffene Gerät nach dem folgenden Verfahren testen.

Utensilien-Test:

1. Füllen Sie einen mikrowellenfesten Behälter mit 1 Tasse kaltem Wasser (250 ml) zusammen mit dem betreffenden Utensilien.
2. Bei maximaler Leistung 1 Minute kochen.
3. Berühren sie vorsichtig die Utensilien. Wenn die leeren Utensilien warm sind, dürfen sie nicht zum Kochen in der Mikrowelle verwendet werden.
4. 1 Minute Garzeit nicht überschreiten.

## Materialien, die Sie für das Mikrowellengerät verwenden können

Utensilien	Bemerkungen
Bräunungsgeschirr	Folgen Sie den Anweisungen des Herstellers. Der Boden des Bräunungsgeschirrs muss mindestens 5 mm über dem Drehteller liegen. Bei falscher Verwendung kann der Plattenteller brechen.
Geschirr	Nur mikrowellengeeignet. Folgen Sie den Anweisungen des Herstellers. Verwenden Sie kein gerissenes oder zerplatztes Geschirr.
Gläser	Deckel immer abnehmen. Nur zum Erwärmen von Speisen verwenden. Die meisten Gläser sind nicht hitzebeständig und können zerbrechen.
Glaswaren	Nur hitzebeständige Glaswaren. Stellen Sie sicher, dass keine metallischen Zierleisten vorhanden sind. Verwenden Sie kein gerissenes oder zerplatztes Geschirr.
Beuteln zum Kochen im Ofen	Folgen Sie den Anweisungen des Herstellers. Nicht mit Metallband schließen. Machen Sie Schlitze, damit der Dampf entweichen kann.
Pappteller und Tassen	Nur zum kurzzeitigen Kochen / Erwärmen verwenden. Lassen Sie das Gerät beim Kochen nicht unbeaufsichtigt.
Papiertücher	Zum Abdecken von Speisen zum Aufwärmen und Absorbieren von Fett verwenden. Verwenden Sie sie nur für kurze Zeit mit Aufsicht.
Pergamentpapier	Verwenden Sie als Abdeckung, um Spritzer zu vermeiden, oder eine Umhüllung zum Dämpfen.
Kunststoff	Nur mikrowellengeeignet. Folgen Sie den Anweisungen des Herstellers. Sollte mit "Microwave Safe" gekennzeichnet sein. Einige Kunststoffbehälter erweichen, wenn die Speisen im Inneren heiß werden. "Kochbeutel" und fest verschlossene Plastiktüten sollten aufgeschlitzt, durchbohrt oder entlüftet werden, wie von der Verpackung vorgegeben.
Plastikfolie	Nur mikrowellengeeignet. Zum Abdecken von Speisen beim Kochen verwenden, um Feuchtigkeit zu speichern. Lassen Sie keine Plastikfolie Lebensmittel berühren.
Thermometer	Nur mikrowellengeeignet (Fleisch- und Zuckerthermometer).
Wachspapier	Als Abdeckung verwenden, um Spritzer zu vermeiden und Feuchtigkeit zu halten.



## Im Mikrowellengerät zu vermeidende Materialien

Utensilien	Bemerkungen
Aluminiumschale	Kann Lichtbogen verursachen. Speisen in eine mikrowellengeeignete Schüssel geben.
Lebensmittelkarton mit Metallgriff	Kann Lichtbogen verursachen. Speisen in eine mikrowellengeeignete Schüssel geben.
Metall- oder metallgefasste Utensilien	Metall schützt die Lebensmittel vor Mikrowellenenergie. Metallverzierungen können Lichtbogen verursachen.
Bindungen aus Metall	Kann zu Lichtbogenbildung führen und Feuer im Ofen verursachen.
Papiertüten	Kann im Ofen ein Feuer verursachen.
Kunststoffschaum	Kunststoffschaum kann die Flüssigkeit im Inneren schmelzen oder verunreinigen, wenn sie hohen Temperaturen ausgesetzt wird.
Holz	Holz trocknet aus, wenn es im Mikrowellengerät verwendet wird und kann platzen oder brechen.

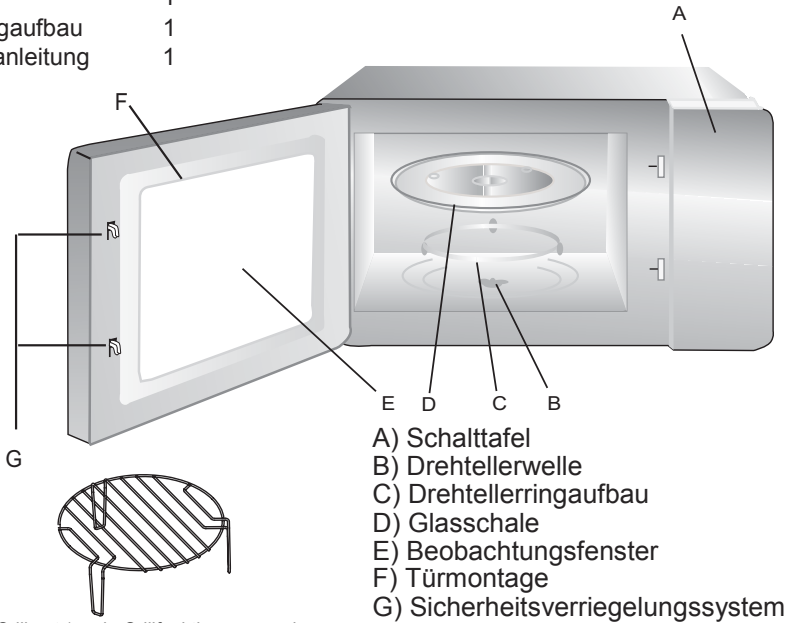
# ÜBERBLICK

## Bezeichnungen der Ofenteile und Zubehörteile

Entfernen Sie den Ofen und alle Materialien aus dem Karton und dem Garraum.

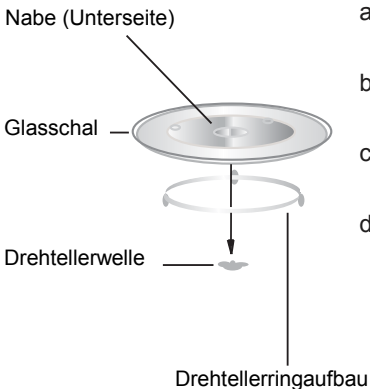
Ihr Ofen wird mit folgenden Zubehörteilen geliefert:

Glasschale	1
Drehtellerringaufbau	1
Bedienungsanleitung	1



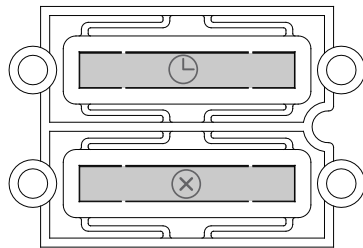
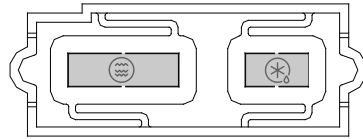
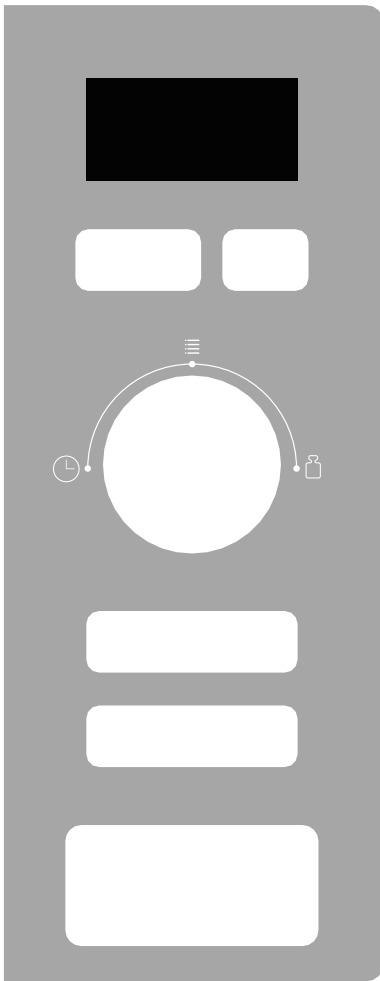
Grillrost (nur in Grillfunktion verwenden  
und auf die Glasschale stellen)

## Installation des Drehtellers



- Niemals den Glassteller auf den Kopf stellen. Der Glassteller sollte niemals behindert werden.
- Glassteller und Drehtellerringaufbau müssen stets zusammen benutzt werden.
- Speisen und Speisenbehälter müssen immer zum Garen auf den Glassteller gestellt werden.
- Wenn Glassteller oder Drehtellerringaufbau reißen oder brechen, sollten Sie den technischen Kundendienst anrufen.

# Bedienfeld



## Anleitung:

	Micro./ Grill/Combi.		Weight/Time Defrost
	Kitchen Timer/ Clock		Stop/Clear
	Start/ +30Sec./Confirm		Auto Menu
	Time		Weight

# INSTALLATION

1. Das Gerät kann in einem 60 cm breiten Wandschrank installiert werden.
2. Das Gerät wird mit einem Netzkabel und einem Schuko-Stecker oder einem dreipoligen Netzkabel mit freien Klemmen geliefert.
3. Das Gerät darf nur an eine ordnungsgemäß installierte geerdete Steckdose angeschlossen werden.
4. Die Netzspannung muss der auf dem Typenschild angegebenen Spannung entsprechen.
5. Die Steckdose muss installiert sein und das Verbindungskabel darf nur von einem qualifizierten Elektriker ausgetauscht werden. Wenn der Stecker nach der Installation nicht mehr zugänglich ist, muss eine einpolige Trennvorrichtung anlagenseitig mit einem Kontaktabstand von mindestens 3 mm vorhanden sein.
6. Adapter, Mehrfachstreifen und Verlängerungskabel dürfen nicht verwendet werden. Überlastung kann zu Brandgefahr führen.

**Die zugängliche Oberfläche kann während des Betriebs heiß sein.**



# Installationsanweisungen

Bitte lesen Sie das Handbuch vor der Installation sorgfältig durch

## Bitte beachten Sie

### Elektrischer Anschluss

Der Einbauschränk darf keine Rückwand hinter dem Gerät haben.

Zwischen der Wand und dem Boden der darüber liegenden Einheit muss ein Spalt bestehen.

Die Diagramme können auf eine bestimmte Spaltengröße verweisen.

Mindesteinbauhöhe: 85 cm.

Lüftungsschlitze und Ansaugöffnungen nicht verdecken.

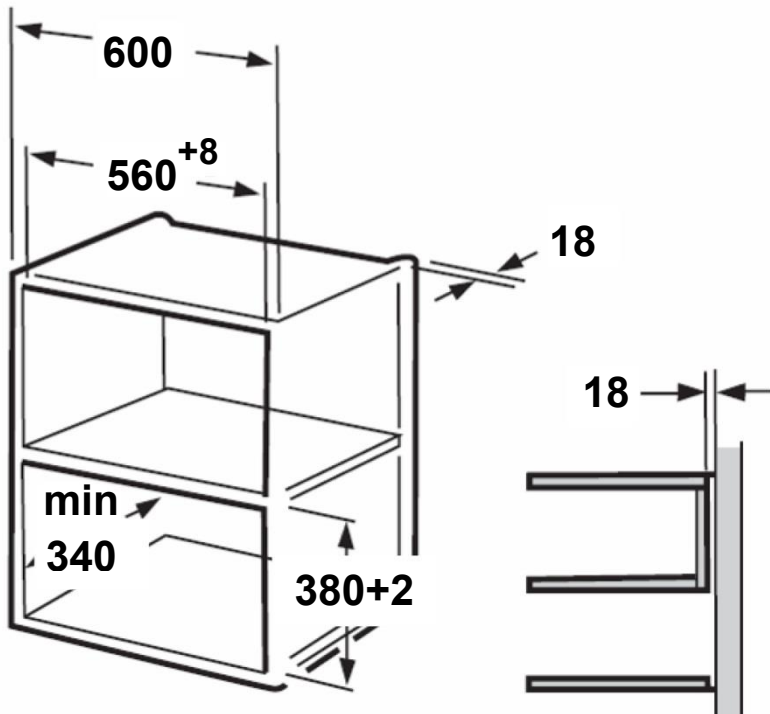
### Hinweis:

Das Netzkabel nicht einklemmen oder biegen.

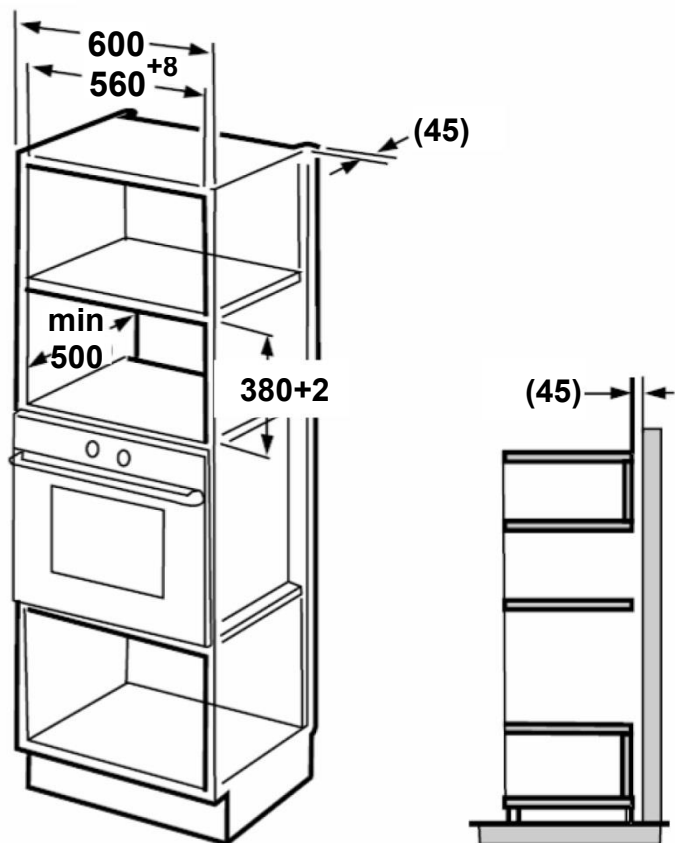
Nicht unterhalb der Arbeitsfläche verwenden und nichts auf die Oberfläche tropfen lassen, auf der das Gerät installiert ist.

## A. Schrankanforderungen

1.



2.

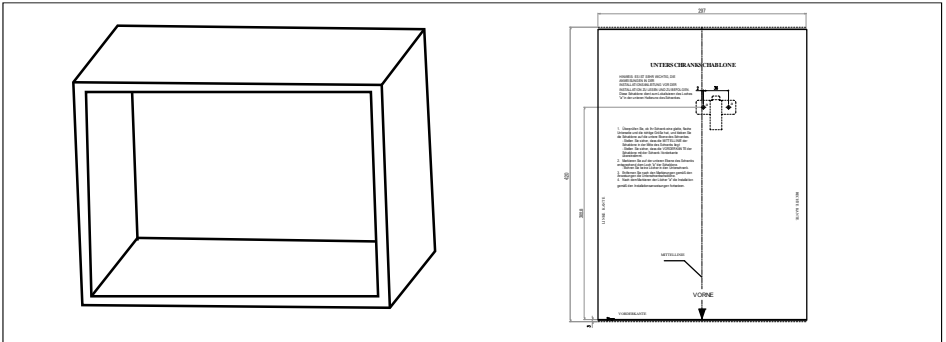


**Hinweis:**

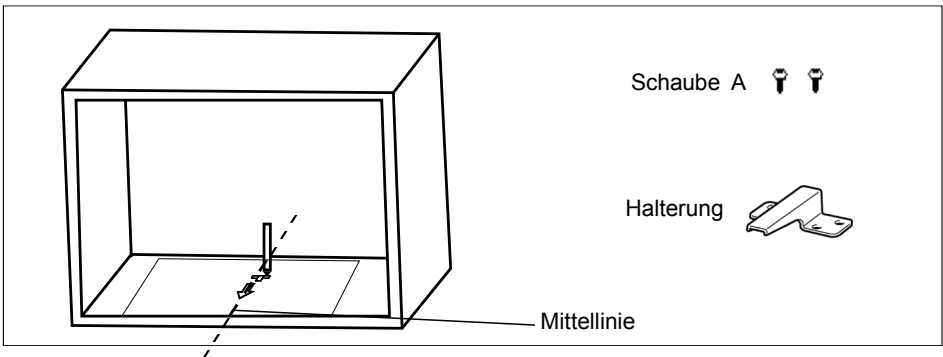
Die Halterung und Unterschrankschablone werden für die Installation in beiden Installationen benötigt.

## B. Bereiten Sie den Schrank vor

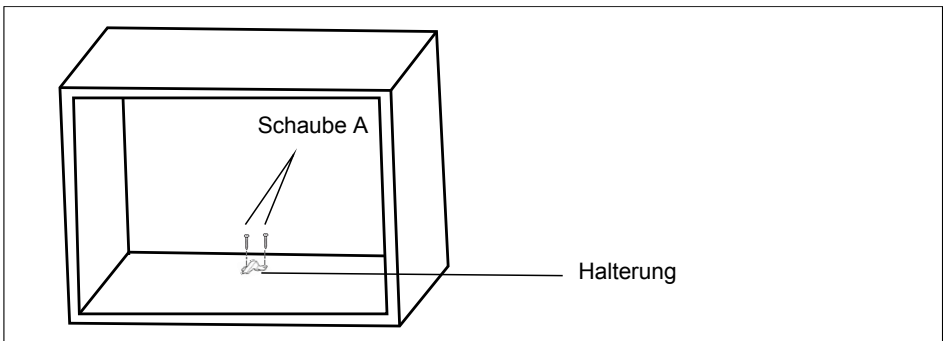
1. Lesen Sie die Anleitung auf der **UNTERSCHRANKSCHABLONE**, legen Sie die Schablone auf den Schrankboden.



2. Machen Sie die Markierungen auf dem Schrankboden entsprechend den Markierungen "a" der Schablone



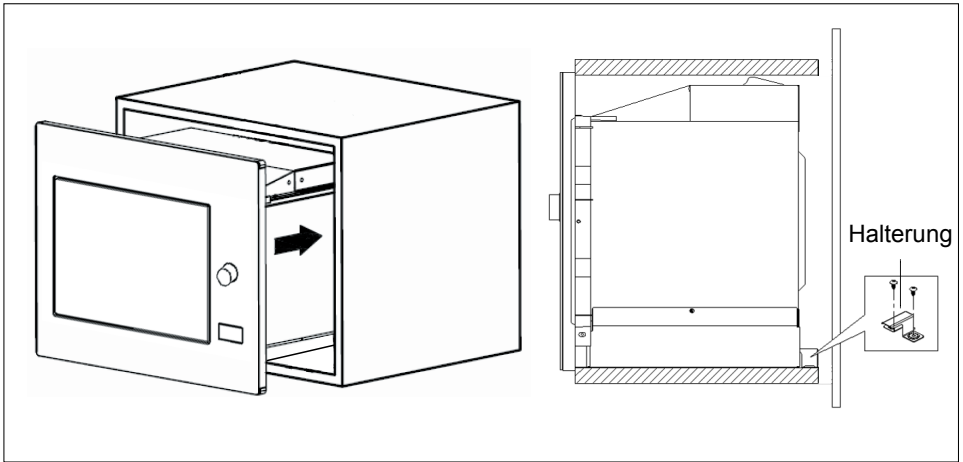
3. Entfernen Sie die Unterschrankschablone und befestigen Sie die Halterung mit Schraube A.



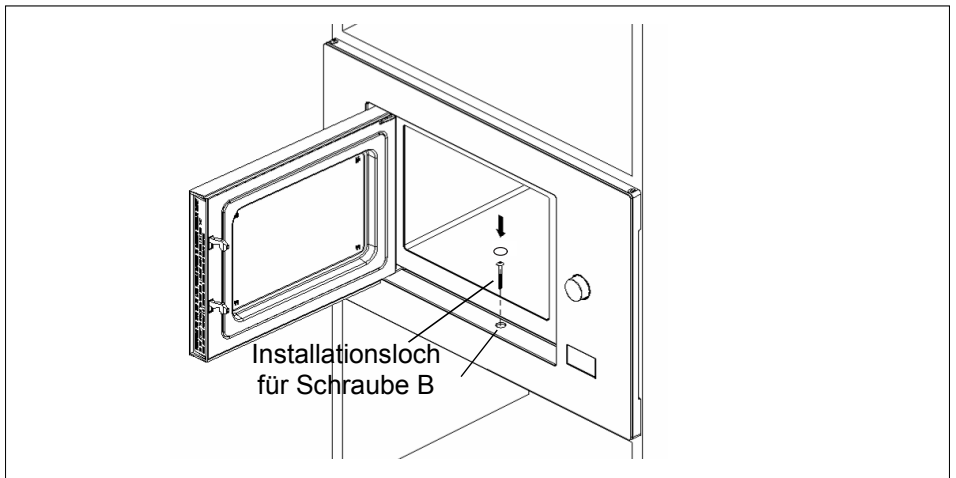
## C. Installieren des Ofens

### 4. Installieren Sie den Ofen im Schrank

- Stellen Sie sicher, dass die Rückseite des Backofens mit einer Halterung verriegelt ist.
- Das Netzkabel nicht einklemmen oder knicken.



- ### 5. Öffnen Sie die Tür und befestigen Sie das Gerät mit Schraube B am Installationsloch am Schrank. Befestigen Sie dann die Kunststoffabdeckung des Trim-Kits am Installationsloch.






# BETRIEB

## 1. Uhreinstellung

Wenn das Mikrowellengerät mit Strom versorgt wird, zeigt der Bildschirm "0:00" an, der Summer ertönt einmal.

1) Drücken Sie zweimal " **Kitchen Timer/Clock** " um die Uhrfunktion zu wählen. Die Stundenangaben blinken.

---


2) Drehen Sie "  ", um die Stunden einzustellen. Die Eingabezeit sollte zwischen 0 und 23 liegen.

---

3) Drücken Sie " **Kitchen Timer/Clock** ", die Minutenangaben blinken.

---

4)

Drehen Sie "  ", um die Minuten einzustellen. Die Eingabezeit sollte zwischen 0 und 59 liegen.

---


5) Drücken Sie " **Kitchen Timer/Clock** ", um die Uhreinstellung zu beenden. ":" blinkt und die Uhrzeit leuchtet.

Hinweis: 1) Wenn die Uhr nicht eingestellt ist, funktioniert sie im eingeschalteten Zustand nicht.

2) Wenn Sie während der Uhreinstellung " **Stop/Clear** " drücken, kehrt der Ofen automatisch in den vorherigen Zustand zurück.

## 2. Kochen in der Mikrowelle

Drücken Sie einmal " **Micro./Grill/Combi.** ", der Bildschirm zeigt "P100" an. Drücken

Sie wiederholt " **Micro./Grill/Combi.** " oder drehen Sie "  ", um die gewünschte

Leistung auszuwählen, und "P100", "P 80", "P 50", "P 30", "P 10", "G", "C-1" oder "C-2" wird für jedes zusätzliche Drücken angezeigt. Drücken Sie zur Bestätigung "


**Start/+30Sec./Confirm** " und drehen Sie "  ", um die Garzeit von 0:05 bis 95:00

einzustellen. Drücken Sie erneut " **Start/+30Sec./Confirm** ", um den Garvorgang zu starten.

Beispiel: Wenn Sie mit 80% Mikrowellenleistung 20 Minuten kochen möchten, können Sie den Ofen wie folgt betreiben.

1) Drücken Sie einmal " **Micro./Grill/Combi.** ", auf dem Bildschirm erscheint "P100".


---

2) Drücken Sie erneut " **Micro./Grill/Combi.** " oder drehen Sie "  ", um 80% Mikrowellenleistung zu wählen.

---

3) Drücken Sie zur Bestätigung " **Start/+30Sec./Confirm** ". Der Bildschirm zeigt "P 80" an.

---

4) Drehen Sie "  " um die Garzeit einzustellen, bis der Ofen "20:00" anzeigt.

---

5) Drücken Sie " **Start/+30Sec./Confirm** ", um den Garvorgang zu starten.

Hinweis: die Schrittgrößen für die Einstellzeit des Kodierschalters sind wie folgt:

0---1 min.: 5 Sekunden

1---5 min.: 10 Sekunden

5---10 min.: 30 Sekunden

10---30 Min. : 1 Minute


30---95 min. : 5 Minuten


#### "Micro./Grill/Combi." Pad-Anweisungen

Auftrag	Bildschirm	Mikrowellenleistung	Grillleistung
1	P100	100%	
2	P 80	80%	
3	P 50	50%	
4	P 30	30%	
5	P 10	10%	
6	G	0%	100%
7	C-1	55%	45%
8	C-2	36%	64%

### 3. Grill oder Combi. Cooking

Drücken Sie erneut " **Micro./Grill/Combi.** ", auf dem Bildschirm wird "P100" angezeigt,

und drücken Sie wiederholt " **Micro./Grill/Combi.** " oder drehen Sie "  " um die gewünschte Leistung auszuwählen, und "P 100", "P 80", "P 50", "P 30", "P 10", "G


," C-1 "oder" C-2 "wird für jedes zusätzliche Drücken angezeigt. Drücken Sie dann " **Start/+30Sec./Confirm** " zur Bestätigung und drehen Sie "  ", um die Garzeit

von 0:05 bis 95:00 einzustellen. Drücken Sie erneut " **Start/+30Sec /Confirm** ", um den Garvorgang zu starten.

Beispiel: Wenn Sie 55% Mikrowellenleistung und 45% Grillleistung (C-1) verwenden möchten, um 10 Minuten zu garen, können Sie den Ofen wie folgt betreiben.

1) Drücken Sie erneut " **Micro./Grill/Combi.** ", auf dem Bildschirm wird angezeigt "P100"


---

2) Drücken Sie erneut " **Micro./Grill/Combi.** " für Zeiten oder drehen Sie "  ", um combi. 1 mode auszuwählen.

---

3) Drücken Sie zur Bestätigung " **Start/+30Sec./Confirm** " und auf dem Bildschirm wird "C-1" angezeigt.

---

4) Drehen Sie "  ", um die Garzeit einzustellen, bis der Ofen "10:00" anzeigt.

---

5) Drücken Sie " **Start/+30Sec./Confirm** ", um den Garvorgang zu starten.

Hinweis: Wenn die Hälfte der Grillzeit verstrichen ist, ertönt der Ofen zweimal und dies ist normal. Um eine bessere Wirkung beim Grillen von Speisen zu erzielen, sollten Sie die Speisen umdrehen, die Tür schließen und dann drücken Sie " **Start/+30Sec./Confirm** ", um den Garvorgang fortzusetzen.  
Wenn kein Betrieb erfolgt, arbeitet der Ofen weiter.

#### 4. Schnellstart

1) Drücken Sie im Wartezustand " **Start/+30Sec./Confirm** ", um den 30-Sekunden-Garvorgang mit 100% Leistung zu starten. Mit jedem weiteren Drücken erhöht sich die Garzeit um 30 Sekunden auf 95 Minuten.

2) Im Mikrowellen-, Grill-, Kombinations- oder Zeit-Auftauzustand kann durch Drücken von " **Start/+30Sec./Confirm** " die Garzeit um 30 Sekunden verlängert werden..


3) Drehen Sie im Wartezustand "  " nach links, um die Garzeit mit 100%

Mikrowellenleistung einzustellen. Nachdem Sie die Garzeit gewählt haben, drücken Sie " **Start/+30Sec./Confirm** ", um den Garvorgang zu starten.

#### 5. Abtauen nach Gewicht

1) Drücken Sie einmal " **Weight/Time Defrost** " und der Ofen zeigt "dEF1" an.

---


2) Drehen Sie "  ", um das Lebensmittelgewicht zwischen 100 und 2000 g zu wählen.

---

3) Drücken Sie " **Start/+30Sec./Confirm** ", um das Abtauen zu starten.


## 6. Abtauen nach Zeit

- 1) Drücken Sie zweimal " **Weight/Time Defrost** " und der Ofen zeigt "dEF2" an.

---
- 2) Drehen Sie "  ", um die Abtauzeit zu wählen. Die MAX-Zeit beträgt 95 Minuten.

---
- 3) Drücken Sie " **Start/+30Sec./Confirm** ", um das Abtauen zu starten. Die Abtauleistung ist P 30 und kann nicht geändert werden.


## 7. Kitchen Timer

- 1) Drücken Sie einmal " **Kitchen Timer/Clock** ", der Bildschirm zeigt 00:00 an.
- 2) Drehen Sie "  ", um die richtige Zeit anzugeben. (Die maximale Garzeit beträgt 95 Minuten.)
- 3) Drücken Sie " **Start/+30Sec./Confirm** ", um die Einstellung zu bestätigen.
- 4) Wenn die Küchenzeit erreicht ist, ertönt der Summer 5-Mal.

Wenn die Uhr eingestellt wurde (24-Stunden-System), zeigt der Bildschirm die aktuelle Uhrzeit an.

Hinweis: Die Küchenzeit unterscheidet sich vom 24-Stunden-System. Kitchen Timer ist ein Timer.


## 8. Auto Menu

- 1) Drehen Sie "  " nach rechts, um das Menü auszuwählen, und "A-1" bis "A-8" wird angezeigt.

---

- 2) Drücken Sie " **Start/+30Sec./Confirm** " zur Bestätigung.

---

- 3) Drehen Sie "  ", um das Standardgewicht als Menütabelle zu wählen.

---

- 4) Drücken Sie " **Start/+30Sec./Confirm** ", um den Garvorgang zu starten.


Beispiel: Wenn Sie "Auto Menu", verwenden möchten, um Fisch für 350 g zu kochen.

- 1) Drehen Sie "  " im Uhrzeigersinn, bis "A-6" angezeigt wird.

---

- 2) Drücken Sie " **Start/+30Sec./Confirm** " zur Bestätigung.

---

- 3) Drehen Sie "  ", um das Gewicht des Fisches bis zur Anzeige "350" auszuwählen..

---

- 4) Drücken Sie " **Start/+30Sec./Confirm** ", um den Garvorgang zu starten.

Gartabelle


Menu	Gewicht	Bildschirm
A-1 Pizza	200 g	200
	400 g	400
A-2 Fleisch	250 g	250
	350 g	350
	450 g	450
A-3 Gemüse	200 g	200
	300 g	300
	400 g	400
A-4 Pasta	50 g (mit 450 g kaltem Wasser)	50
	100 g (mit 800 g kaltem Wasser)	100
A-5 Kartoffel	200 g	200
	400 g	400
	600 g	600
A-6 Fisch	250 g	250
	350 g	350
	450 g	450
A-7 Getränk	1 Tasse (120 ml)	1
	2 Tassen (240 ml)	2
	3 Tassen (360 ml)	3
A-8 Popcorn	50 g	50
	100 g	100

## 9. Mehrteiliges Kochen


Es können maximal 2 Abschnitte zum Kochen eingestellt werden. Wenn beim Kochen in mehreren Abschnitten ein Abschnitt abgetaut wird, muss der Abtauvorgang automatisch im ersten Abschnitt erfolgen.

Beispiel: Wenn Sie Lebensmittel für 5 Minuten auftauen möchten und dann mit 80% Mikrowellenleistung 7 Minuten kochen möchten, gehen Sie wie folgt vor:


- 1) Drücken Sie zweimal " **Weight/Time Defrost** " und der Ofen zeigt "dEF2" an.

---
- 2) Drehen Sie "  ", um die Abtauzeit zu wählen, bis "5:00" angezeigt wird.

---
- 3) Drücken Sie erneut " **Micro./Grill/Combi.** ", auf dem Bildschirm erscheint "P100".

---
- 4) Drücken Sie erneut " **Micro./Grill/Combi.** " oder drehen Sie "  ", um 80% Mikrowellenleistung zu wählen.

---
- 5) Drücken Sie zur Bestätigung " **Start/+30Sec./Confirm** " ". Der Bildschirm zeigt "P 80" an.

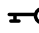

---
- 6) Drehen Sie "  ", um die Garzeit einzustellen, bis der Ofen "7:00" anzeigt.

---
- 7) Drücken Sie " **Start/+30Sec./Confirm** ", um den Garvorgang zu starten. Der Summer ertönt einmal für den ersten Abschnitt. Die Abtauzeit läuft ab. Der Summer ertönt erneut beim zweiten Garen. Wenn der Garvorgang abgeschlossen ist, ertönt der Summer fünfmal.

## 10. Abfragefunktion

- 1) Drücken Sie im Mikrowellen-, Grill- und Kombinationzustand " **Micro./Grill/Combi.**". Die aktuelle Leistung wird für 3 Sekunden angezeigt. Nach 3 Sekunden kehrt der Ofen in den vorherigen Zustand zurück.
- 2) Drücken Sie im Kochzustand " **Kitchen Timer/Clock** ", um die Uhrzeit abzufragen, und die Uhrzeit wird für 3 Sekunden angezeigt.

## 11. Sperrfunktion für Kinder

Sperrern: Drücken Sie im Wartezustand " **Stop/Clear** " für 3 Sekunden. Ein langer Piepton gibt an, dass die Kindersicherung aktiviert ist.  Die aktuelle Uhrzeit wird angezeigt, wenn die Uhrzeit eingestellt wurde. Andernfalls wird auf dem Bildschirm "  " angezeigt.

Aufheben der Sperre: Drücken Sie im gesperrten Zustand 3 Sekunden lang die Taste " **Stop/Clear** ". Es ertönt ein langer Piepton, der darauf hinweist, dass die Sperre aufgehoben ist.

## ANLEITUNG ZUR FEHLERSUCHE

<b>Normal</b>	
Mikrowellengerät stört den Fernsehempfang	Der Radio- und Fernsehempfang kann gestört sein, wenn das Mikrowellengerät in Betrieb ist. Es ist vergleichbar mit der Interferenz von elektrischen Kleingeräten wie Mixer, Staubsauger und elektrischen Ventilatoren. Das ist normal.
Das Ofenlicht ist gedimmt	Beim Garen in Mikrowellen mit niedriger Leistung kann das Ofenlicht schwächer werden. Das ist normal.
Dampf sammelt sich an der Tür, heiße Luft aus den Lüftungsöffnungen	Beim Kochen kann Dampf aus der Nahrung austreten. Die meisten werden aus Lüftungsöffnungen herauskommen. Einige können sich jedoch an kühlen Orten wie der Ofentür ansammeln. Das ist normal.
Ofen startete versehentlich ohne Lebensmittel.	Es ist verboten, das Gerät ohne Lebensmittel zu betreiben. Das ist sehr gefährlich.

<b>Problem</b>	<b>Mögliche Ursache</b>	<b>Abhilfe</b>
Ofen kann nicht gestartet werden.	(1) Netzkabel nicht fest eingesteckt.	Ziehen Sie den Stecker heraus. Dann nach 10 Sekunden wieder einstecken.
	(2) Das Durchbrennen der Sicherung oder der Leistungsschalter funktioniert.	Ersetzen Sie die Sicherung oder setzen Sie den Schutzschalter zurück (repariert durch Fachpersonal unseres Unternehmens)
	(3) Probleme mit der Steckdose.	Steckdose mit anderen elektrischen Geräten prüfen.
Ofen heizt nicht.	(4) Tür nicht gut geschlossen.	Tür gut schließen.

### ENTSORGUNG

Das Symbol auf dem Produkt oder der Verpackung weist darauf hin, dass das Gerät nicht mit dem Hausmüll entsorgt werden darf. Indem Sie das Gerät ordnungsgemäß entsorgen, vermeiden Sie schädliche Auswirkungen auf Umwelt und Gesundheit.

Weitere Informationen zum Recycling des Geräts erhalten Sie von der zuständigen Behörde, dem örtlichen Entsorgungsdienst oder dem Verkäufer des Geräts. Entsorgen Sie das zu entsorgende Gerät über eine spezielle Abfallsammelstelle für elektronische und elektrische Geräte.



# KUNDENDIENST

Siehe Kontaktadresse auf unserer Website: [www.franke.com](http://www.franke.com)

## TECHNISCHE DATEN

Modell:	FMW 20 SMP G XS / FSL 20 MW XS / FSL 20 MW BK
Nennspannung:	230V~50Hz
Nennleistung (Mikrowelle):	1250W
Nennausgangsleistung (Mikrowelle):	800W
Nennleistung (Grill):	1000W
Ofenkapazität:	20 L
Durchmesser des Drehtellers:	Ø245mm
Äußere Abmessungen:	595x343.5x388mm
Nettogewicht:	ca. 15kg

### STROMVERBRAUCH

Produktinformation zum Stromverbrauch und zur maximalen Zeit bis zum Erreichen des jeweiligen Energiesparmodus.

---

Standby-Modus	0.8 W
---------------	-------

---

Die maximale Zeit, die der Mikrowellenherd benötigt, um automatisch den entsprechenden Energiesparmodus oder -zustand zu erreichen.	20 Minuten
---	------------

---



Πριν χρησιμοποιήσετε τον φούρνο, διαβάστε προσεκτικά το εγχειρίδιο χρήστη και τις πληροφορίες για την ασφάλεια.

Φυλάξτε το εγχειρίδιο για μελλοντική αναφορά.

Ο κατασκευαστής δεν ευθύνεται για τυχόν ζημιές που μπορεί να προκύψουν λόγω λανθασμένης εγκατάστασης και εσφαλμένης, ακατάλληλης ή παράλογης χρήσης της συσκευής.

Η ηλεκτρική ασφάλεια του φούρνου είναι εγγυημένη μόνο όταν συνδέεται με ένα σύστημα γείωσης σύμφωνα με τους ισχύοντες κανονισμούς.

Για να εξασφαλίσετε ασφαλή και αποτελεσματική λειτουργία αυτής της ηλεκτρικής συσκευής:

- Επικοινωνήστε μόνο με τα εξουσιοδοτημένα κέντρα σέρβις.
- Μην τροποποιείτε τα χαρακτηριστικά της συσκευής.

Η συσκευή αυτή μπορεί να χρησιμοποιηθεί από παιδιά ηλικίας 8 ετών και άνω και από άτομα με μειωμένες σωματικές, αισθητήριες ή διανοητικές ικανότητες ή με έλλειψη εμπειρίας και γνώσεων, εφόσον βρίσκονται υπό επιτήρηση, έχουν λάβει οδηγίες σχετικά με την ασφαλή χρήση της συσκευής και κατανοούν τους σχετικούς κινδύνους. Τα παιδιά είναι απαγορευμένα να παίζουν με την συσκευή.. Ο καθαρισμός και η συντήρηση από τον χρήστη δεν πρέπει να εκτελούνται από παιδιά χωρίς επιτήρηση.

Αυτή η συσκευή δεν είναι παιχνίδι.

Μην αφήνετε τα παιδιά κοντά στη συσκευή χωρίς επιτήρηση. Μην επιτρέπετε στα παιδιά να αγγίζουν τη συσκευή ή τα χειριστήρια της κατά τη διάρκεια και αμέσως μετά τη χρήση της.

**ΠΡΟΣΟΧΗ:** Για να αποφύγετε τον κίνδυνο λόγω ακούσιας επαναφοράς του θερμικού διακόπτη, η συσκευή αυτή δεν πρέπει να τροφοδοτείται μέσω εξωτερικής συσκευής μεταγωγής, όπως χρονοδιακόπτη, ή να συνδέεται σε κύκλωμα που ενεργοποιείται και απενεργοποιείται συχνά από το δίκτυο ηλεκτροδότησης.

Βεβαιωθείτε ότι η συσκευή έχει εγκατασταθεί με τρόπο ώστε να επιτρέπει την αποσύνδεσή της από την παροχή ρεύματος, με απόσταση ανοίγματος επαφής που εξασφαλίζει πλήρη αποσύνδεση σε συνθήκες υπέρτασης κατηγορίας III. Τα μέσα αποσύνδεσης πρέπει να ενσωματωθούν στις σταθερές καλωδιώσεις σύμφωνα με τους κανόνες σύνδεσης.

Χρησιμοποιείτε μόνο τον αισθητήρα θερμοκρασίας που συνιστάται για τον συγκεκριμένο φούρνο.  
Η συσκευή δεν πρέπει να εγκατασταθεί πίσω από διακοσμητική πόρτα για να αποφευχθεί η υπερθέρμανση.

**ΠΡΟΕΙΔΟΠΟΙΗΣΗ:** Κίνδυνος εγκαυμάτων!  
Κατά τη χρήση η συσκευή θερμαίνεται. Προσέξτε να μην αγγίξετε τις αντιστάσεις μέσα στον φούρνο. Τα παιδιά κάτω των 8 ετών δεν πρέπει να πλησιάζουν τη συσκευή, εκτός εάν επιτηρούνται διαρκώς.

**Κίνδυνος εγκαυμάτων!**  
Το άκρο της λαβής της πόρτας μπορεί να είναι θερμότερο εξαιτίας του θερμού αέρα.  
Βεβαιωθείτε ότι τα κουμπιά ελέγχου βρίσκονται σε θέση εκτός λειτουργίας όταν ο φούρνος δεν χρησιμοποιείται.

**ΠΡΟΕΙΔΟΠΟΙΗΣΗ:** Βεβαιωθείτε ότι η συσκευή είναι απενεργοποιημένη πριν αντικαταστήσετε τη λυχνία για να αποφύγετε την πιθανότητα ηλεκτροπληξίας.

Μην χρησιμοποιείτε σκληρά λειαντικά καθαριστικά ή κοφτερά μεταλλικά ξέστρα για να καθαρίσετε το γυαλί της πόρτας του φούρνου / το τζάμι των αρθρωτών καπακιών της εστίας (κατά περίπτωση), καθώς μπορεί να γρατσουνίσει την επιφάνεια του γυαλιού, κάτι που μπορεί να οδηγήσει σε θρυμματισμό του γυαλιού.

Μην χρησιμοποιείτε καθαριστές ατμού ή απευθείας πίδακες νερού.

Εάν το καλώδιο τροφοδοσίας είναι κατεστραμμένο, πρέπει να αντικατασταθεί από τον κατασκευαστή ή τον αντιπρόσωπό του ή από άτομο παρόμοιας εξειδίκευσης προκειμένου να αποτραπεί οποιοσδήποτε κίνδυνος.

Προειδοποίηση: Τα υγρά και άλλα τρόφιμα δεν πρέπει να θερμαίνονται σε σφραγισμένα δοχεία, καθώς ενδέχεται να εκραγούν.

Προειδοποίηση: Είναι επικίνδυνο για οποιονδήποτε άλλο εκτός από ένα αρμόδιο άτομο να πραγματοποιήσει οποιαδήποτε συντήρηση ή επισκευή που συνεπάγεται την αφαίρεση ενός καλύμματος που παρέχει προστασία από την έκθεση στην ενέργεια μικροκυμάτων.

Κρατήστε τη συσκευή και το καλώδιο μακριά από παιδιά κάτω των 8 ετών.

Χρησιμοποιείτε μόνο σκεύη κατάλληλα για χρήση σε φούρνο μικροκυμάτων

Ο φούρνος πρέπει να καθαρίζεται τακτικά και τυχόν υπολείμματα τροφίμων να αφαιρούνται.

Όταν θερμαίνετε τα τρόφιμα σε πλαστικά ή χάρτινα δοχεία να προσέχετε το φούρνο γιατί υπάρχει η πιθανότητα ανάφλεξης.

Εάν βγαίνει καπνός, απενεργοποιήστε ή αποσυνδέστε τη συσκευή και κρατήστε την πόρτα κλειστή για να καταπνίξετε τις φλόγες.

Τα αυγά με το κέλυφος και τα ολόκληρα σκληρά βραστά αυγά δεν θα πρέπει να θερμαίνονται σε φούρνο μικροκυμάτων, καθώς ενδέχεται να εκραγούν, ακόμη και μετά τη λήξη της θέρμανσης με μικροκύματα.

Αυτή η συσκευή προορίζεται να χρησιμοποιηθεί σε οικιακές και παρόμοιες εφαρμογές όπως:

- χώρους κουζίνας σε καταστήματα, γραφεία και άλλους χώρους εργασίας,
  - για πελάτες σε ξενοδοχεία, μοτέλ και άλλους χώρους κατοικίας,
  - αγροικίες.
- χώρους τύπου bed and breakfast.

Εάν το καλώδιο τροφοδοσίας είναι κατεστραμμένο, πρέπει να αντικατασταθεί από τον κατασκευαστή, το επίσημο σέρβις ή από άτομα με παρόμοια ειδικευση, προκειμένου να αποφευχθεί ο κίνδυνος.

Η αδυναμία διατήρησης του φούρνου σε καθαρή κατάσταση θα μπορούσε να προκαλέσει φθορά της επιφάνειας που θα μπορούσε να επηρεάσει δυσμενώς τη διάρκεια ζωής της συσκευής και ενδεχομένως να οδηγήσει σε επικίνδυνη κατάσταση.

Το περιεχόμενο των μπιμπερό και των βάζων παιδικής τροφής πρέπει να ανακατεύεται ή να ανακινείται και η θερμοκρασία πρέπει να ελέγχεται πριν από την κατανάλωση, προκειμένου να αποφευχθούν εγκαύματα.

Η θέρμανση των ποτών σε φούρνο μικροκυμάτων μπορεί να οδηγήσει σε αργό εκρηκτικό βρασμό, συνεπώς πρέπει να προσέχετε κατά το χειρισμό του δοχείου.

Ο φούρνος μικροκυμάτων πρέπει να λειτουργεί με ανοιχτή τη διακοσμητική πόρτα.

Ο φούρνος μικροκυμάτων προορίζεται για το ζέσταμα τροφίμων και ποτών. Η στέγνωση τροφών ή ρουχισμού και η θέρμανση μαξιλαριών, παντοφλών, σφουγγαριών, υγρών πανιών και παρόμοιων μπορεί να οδηγήσει σε κίνδυνο τραυματισμού, ανάφλεξης ή πυρκαγιάς.

**ΠΡΟΕΙΔΟΠΟΙΗΣΗ:** Αν οι τσιμούχες της πόρτας είναι κατεστραμμένες ο φούρνος δεν πρέπει να χρησιμοποιείται μέχρι να επισκευαστεί από εκπαιδευμένο άτομο.

Αυτή η συσκευή προορίζεται μόνο για οικιακή χρήση.

Αυτός ο φούρνος προορίζεται μόνο για χρήση εντοιχισμένος. Δεν προορίζεται για χρήση επάνω στον πάγκο ή για χρήση μέσα σε ντουλάπι.

# Για να αποφύγετε τον κίνδυνο τραυματισμού φροντίστε να γίνει γειωμένη εγκατάσταση

## ΚΙΝΔΥΝΟΣ

Ο κίνδυνος ηλεκτροπληξίας από το άγγιγμα ορισμένων εσωτερικών εξαρτημάτων μπορεί να προκαλέσει σοβαρό τραυματισμό ή θάνατο. Μην αποσυναρμολογείτε τη συσκευή.

## ΠΡΟΕΙΔΟΠΟΙΗΣΗ

Κίνδυνος ηλεκτροπληξίας. Η ακατάλληλη χρήση της γείωσης μπορεί να προκαλέσει ηλεκτροπληξία. Μην συνδέετε σε μια πρίζα μέχρι να εγκατασταθεί σωστά η συσκευή και να γειωθεί.

Αυτή η συσκευή πρέπει να είναι γειωμένη. Σε περίπτωση ηλεκτρικού βραχυκυκλώματος, η γείωση μειώνει τον κίνδυνο ηλεκτροπληξίας παρέχοντας ένα καλώδιο διαφυγής για το ηλεκτρικό ρεύμα. Αυτή η συσκευή διαθέτει καλώδιο με γείωση και φως γείωσης. Το φως πρέπει να είναι συνδεδεμένο σε μια πρίζα που είναι σωστά εγκατεστημένη και γειωμένη.

Συμβουλευτείτε έναν εξειδικευμένο ηλεκτρολόγο ή συντηρητή εάν οι οδηγίες γείωσης δεν είναι πλήρως κατανοητές ή εάν υπάρχουν αμφιβολίες σχετικά με τη σωστή γείωση της συσκευής. Εάν είναι απαραίτητο να χρησιμοποιήσετε μια προέκταση καλωδίου, χρησιμοποιήστε μόνο μια 3-κλωνη προέκταση.

1. Ένα κοντό καλώδιο τροφοδοσίας σας παρέχεται για να μειώσει τον κίνδυνο να το παρασύρετε ή να σκοντάψετε αν το καλώδιο είναι μακρύτερο.

2. Εάν χρησιμοποιείτε ένα μακρύ καλώδιο ή μια προέκταση καλωδίου:

1) Τα ηλεκτρικά χαρακτηριστικά του καλωδίου ή της προέκτασης πρέπει να είναι ίδια με τα ηλεκτρικά χαρακτηριστικά της συσκευής.  
2) Η προέκταση του καλωδίου πρέπει να διαθέτει 3ο καλώδιο γείωσης.

3) Το μακρύ καλώδιο δεν πρέπει να κρέμεται από τον πάγκο ή το τραπέζι, ώστε να μην μπορεί να παρασυρθεί από τα παιδιά ή να σκοντάψουν χωρίς να το θέλουν.

- Μην μαγειρεύετε υπερβολικά τα τρόφιμα.
  - Μην χρησιμοποιείτε τον φούρνο για αποθήκευση.
  - Μην αποθηκεύετε τρόφιμα, όπως ψωμί, μπισκότα κ.λπ. μέσα στο φούρνο.
  - Αφαιρέστε τυχόν σπιράλ καλώδια και μεταλλικές χειρολαβές από χάρτινα ή πλαστικά δοχεία/σακούλες πριν τα τοποθετήσετε στο φούρνο.
  - Εγκαταστήστε ή τοποθετήστε αυτόν τον φούρνο μόνο σύμφωνα με τις οδηγίες εγκατάστασης που παρέχονται
  - Μην αποθηκεύετε ή χρησιμοποιείτε αυτή τη συσκευή σε εξωτερικούς χώρους.
  - Μη χρησιμοποιείτε αυτόν τον φούρνο κοντά σε νερό, σε υγρό υπόγειο ή κοντά σε πισίνα.
  - Η θερμοκρασία των προσβάσιμων επιφανειών ενδέχεται να είναι υψηλή όταν η συσκευή λειτουργεί.
  - Οι επιφάνειες ενδέχεται να ζεσταθούν κατά τη χρήση.
  - Κρατήστε το καλώδιο μακριά από τη θερμαινόμενη επιφάνεια και μην καλύπτετε τους αεραγωγούς στο φούρνο.
  - Μην αφήνετε το καλώδιο να κρέμεται πάνω από το τραπέζι ή τον πάγκο.
- Μην επιχειρήσετε να χρησιμοποιήσετε αυτόν τον φούρνο με την πόρτα ανοιχτή, καθώς αυτό μπορεί να οδηγήσει σε επιβλαβή έκθεση στην ενέργεια μικροκυμάτων. Είναι σημαντικό να μην σπάσετε ή να παραβιάσετε τα κλείστρα ασφαλείας.
- Μην τοποθετείτε κανένα αντικείμενο ανάμεσα στην πρόσοψη του φούρνου και της πόρτας ή μην αφήνετε τα υπολείμματα ή το καθαριστικό να συσσωρεύονται πάνω στις επιφάνειες στεγανοποίησης.

# ΚΑΘΑΡΙΣΜΟΣ

Βεβαιωθείτε ότι έχετε αποσυνδέσει τη συσκευή από την παροχή ρεύματος.

1. Καθαρίστε τον φούρνο μετά τη χρήση με ένα ελαφρώς υγρό πανί.
2. Καθαρίστε τα εξαρτήματα με τον συνήθη τρόπο σε σαπουνόνερο.
3. Το πλαίσιο της πόρτας και η τσιμούχα καθώς και τα παρακείμενα μέρη πρέπει να καθαρίζονται προσεκτικά με ένα υγρό πανί όταν είναι βρώμικα.
4. Μην χρησιμοποιείτε ισχυρά καθαριστικά ή αιχμηρά μεταλλικά ξέστρα για να καθαρίσετε τη γυάλινη πόρτα του φούρνου, καθώς μπορεί να χαράξουν την επιφάνειά του και να προκληθεί θραύση του γυαλιού.
5. Συμβουλή καθαρισμού---Για ευκολότερο καθαρισμό των τοιχωμάτων του φούρνου όπου μπορεί να τιναχτεί το μαγειρεμένο φαγητό: Βάλτε μισό λεμόνι σε ένα μπολ, προσθέτετε 300 ml (1/2 pint) νερό και ζεστάνετε σε ισχύ μικροκυμάτων 100% για 10 λεπτά. Καθαρίστε τον φούρνο χρησιμοποιώντας ένα μαλακό, στεγνό πανί.

## ΣΚΕΥΗ ΠΡΟΣΟΧΗ

**Κίνδυνος τραυματισμού** Είναι επικίνδυνο για οποιοδήποτε άλλο εκτός από ένα αρμόδιο άτομο να πραγματοποιήσει οποιαδήποτε συντήρηση ή επισκευή που συνεπάγεται την αφαίρεση ενός καλύμματος που παρέχει προστασία από την έκθεση στην ενέργεια μικροκυμάτων.

Δείτε τις οδηγίες σχετικά με τα "Υλικά που μπορείτε να χρησιμοποιήσετε ή που πρέπει να αποφύγετε τη χρήση τους σε φούρνο μικροκυμάτων". Μπορεί να υπάρχουν ορισμένα μη μεταλλικά σκεύη που δεν είναι ασφαλή για χρήση στο φούρνο μικροκυμάτων. Αν δεν είστε σίγουροι, μπορείτε να δοκιμάσετε το συγκεκριμένο σκεύος ακολουθώντας την παρακάτω διαδικασία.

Δοκιμή σκευών:

1. Γεμίστε ένα δοχείο κατάλληλο για φούρνο μικροκυμάτων με 1 φλιτζάνι κρύο νερό (250 ml) μαζί με το εν λόγω σκεύος.
2. Τοποθετήστε το στον φούρνο για 1 λεπτό στη μέγιστη ισχύ.
3. Αγγίξτε προσεκτικά το σκεύος. Αν το άδειο σκεύος είναι ζεστό, μην το χρησιμοποιείτε για μαγείρεμα στον φούρνο μικροκυμάτων.
4. Μην αφήνετε το σκεύος στο φούρνο περισσότερο από 1 λεπτό.



## Υλικά που μπορείτε να χρησιμοποιήσετε στον φούρνο μικροκυμάτων

Σκεύη	Παρατηρήσεις
Πιάτο για ροδοκοκκίνισμα	Ακολουθήστε τις οδηγίες του κατασκευαστή. Η κάτω πλευρά του πιάτου ροδοκοκκίνισματος πρέπει να είναι τουλάχιστον 5 mm (3/16 ίντσες) πάνω από τον περιστρεφόμενο δίσκο. Η λανθασμένη χρήση μπορεί να προκαλέσει σπάσιμο του περιστρεφόμενου δίσκου.
Σερβίτσια	Μόνο ασφαλή για χρήση σε φούρνο μικροκυμάτων. Ακολουθήστε τις οδηγίες του κατασκευαστή. Μην χρησιμοποιείτε σπασμένα ή χτυπημένα πιάτα.
Γυάλινα βάζα	Να αφαιρείτε πάντα το καπάκι. Χρησιμοποιείτε μόνο για να θερμαίνετε τα τρόφιμα μέχρι να ζεσταθούν. Τα περισσότερα γυάλινα βάζα δεν είναι ανθεκτικά στη θερμότητα και μπορεί να σπάσουν.
Γυαλικά	Μόνο γυάλινα σκεύη κατάλληλα για φούρνο. Βεβαιωθείτε ότι δεν υπάρχει μεταλλική επένδυση. Μην χρησιμοποιείτε σπασμένα ή χτυπημένα πιάτα.
Σακούλες ειδικές για μαγείρεμα στο φούρνο	Ακολουθήστε τις οδηγίες του κατασκευαστή. Μην τις κλείνετε με μεταλλικό σύρμα. Κάντε μερικές σχισμές για μπορεί να φύγει ο ατμός.
Χάρτινα πιάτα και κύπελλα	Χρησιμοποιείται μόνο για σύντομο μαγείρεμα / θέρμανση. Μην τα αφήνετε στο φούρνο χωρίς επιτήρηση κατά το μαγείρεμα.
Χαρτοπετσέτες	Χρησιμοποιήστε για να καλύψετε τα τρόφιμα για ξαναζέσταμα και για την απορρόφηση του λίπους. Χρησιμοποιείται με επιτήρηση μόνο για σύντομο μαγείρεμα.
Λαδόκολλα	Χρησιμοποιήστε ως κάλυμμα για να αποφύγετε τις εκτινάξεις ή ως περιτύλιγμα για τον ατμό.
Πλαστικά	Μόνο ασφαλή για χρήση σε φούρνο μικροκυμάτων. Ακολουθήστε τις οδηγίες του κατασκευαστή. Θα πρέπει να φέρει την ένδειξη "Ασφαλές για φούρνο μικροκυμάτων". Ορισμένα πλαστικά δοχεία μαλακώνουν, καθώς το φαγητό μέσα ζεσταίνεται. Οι "σάκοι βρασμού" και οι σφικτά κλειστές πλαστικές σακούλες θα πρέπει να έχουν σχισμές, να τρυπηθούν ή να εξαερωθούν σύμφωνα με τις οδηγίες στη συσκευασία.
Πλαστικό περιτύλιγμα	Μόνο ασφαλή για χρήση σε φούρνο μικροκυμάτων. Χρησιμοποιήστε το για να καλύψετε τα φαγητά κατά τη διάρκεια του μαγειρέματος για να διατηρηθεί η υγρασία. Μην αφήνετε το πλαστικό περιτύλιγμα να αγγίζει τα τρόφιμα.
Θερμόμετρα	Μόνο ασφαλή για χρήση σε φούρνο μικροκυμάτων (θερμόμετρα για κρέας και γλυκά).
Λαδόκολλα	Χρησιμοποιήστε το ως κάλυμμα για να αποφύγετε το πιτσίσισμα και να διατηρηθεί η υγρασία.

## Υλικά που πρέπει να αποφεύγονται στη λειτουργία του φούρνου μικροκυμάτων

Σκεύη	Παρατηρήσεις
Δίσκος αλουμινίου	Μπορεί να προκαλέσει ηλεκτροπληξία. Μεταφέρετε τα τρόφιμα σε πιάτο ασφαλές για χρήση σε φούρνο μικροκυμάτων.
Χάρτινο δοχείο τροφίμων με μεταλλική λαβή	Μπορεί να προκαλέσει ηλεκτροπληξία. Μεταφέρετε τα τρόφιμα σε πιάτο ασφαλές για χρήση σε φούρνο μικροκυμάτων.
Μεταλλικά σκεύη ή σκεύη με μεταλλικά διακοσμητικά	Το μέταλλο προστατεύει το φαγητό από την ενέργεια μικροκυμάτων. Η μεταλλική επένδυση μπορεί να προκαλέσει ηλεκτροπληξία.
Μεταλλικά σύρματα	Μπορεί να προκαλέσει ηλεκτροπληξία και πυρκαγιά στο φούρνο.
Χάρτινες σακούλες	Μπορεί να προκαλέσει πυρκαγιά στο φούρνο.
Πλαστικός αφρός	Ο πλαστικός αφρός μπορεί να λιώσει ή να μολύνει το εσωτερικό υγρό όταν εκτίθεται σε υψηλή θερμοκρασία.
Ξύλο	Το ξύλο θα στεγνώσει όταν χρησιμοποιηθεί στον φούρνο μικροκυμάτων και μπορεί να σπάσει ή να δημιουργηθούν ρωγμές.

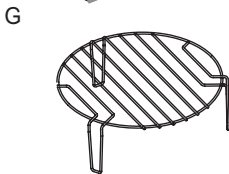
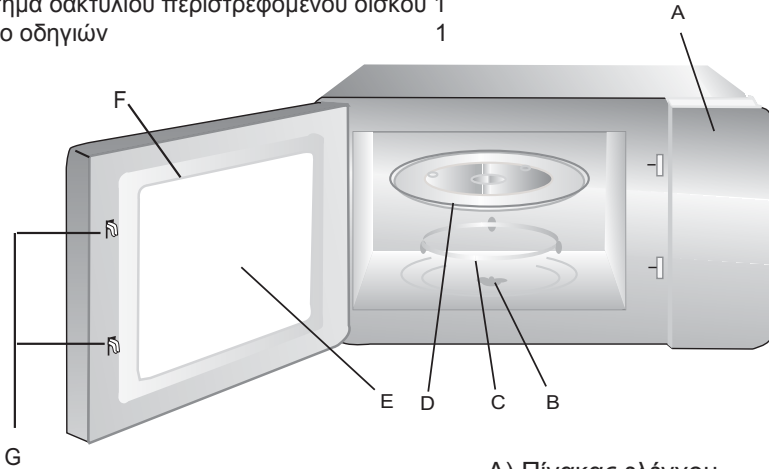
# ΕΠΙΣΚΟΠΗΣΗ

## Ονόματα των μερών του φούρνου και των εξαρτημάτων

Αφαιρέστε τον φούρνο και όλα τα υλικά από το κουτί και από τον θάλαμο του φούρνου.

Ο φούρνος σας διαθέτει τα ακόλουθα εξαρτήματα:

Γυάλινος δίσκος	1
Προσάρτημα δακτύλιου περιστρεφόμενου δίσκου	1
Εγχειρίδιο οδηγιών	1



Σχάρα (Πρέπει να χρησιμοποιείται μόνο στη λειτουργία σχάρας και να τοποθετείται στον δίσκο γυαλιού)

- A) Πίνακας ελέγχου
- B) Άξονας περιστρεφόμενου δίσκου
- Γ) Δακτύλιος περιστρεφόμενου δίσκου
- D) Γυάλινος δίσκος
- E) Παράθυρο ελέγχου
- F) Πόρτα
- G) Κλείστρα ασφαλείας

## Εγκατάσταση περιστρεφόμενου δίσκου

Κεντρικό σημείο (κάτω μέρος)

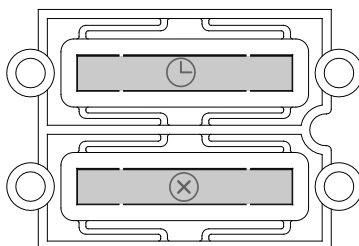
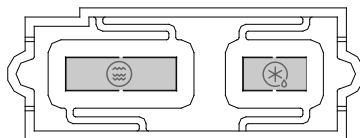
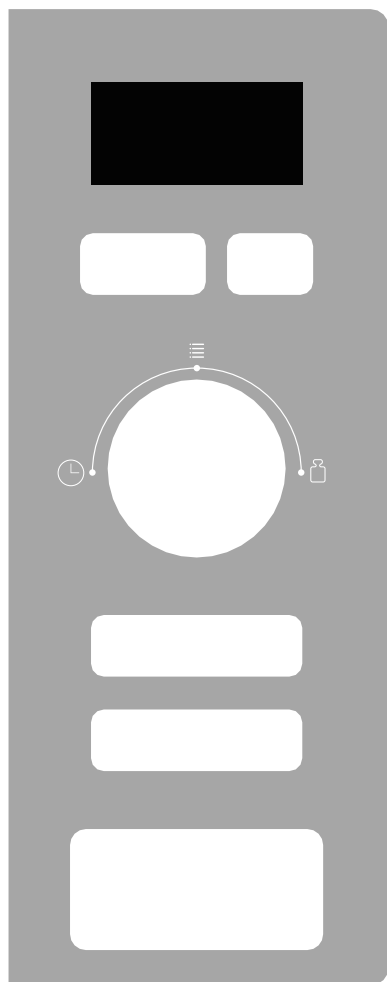
Γυάλινος δίσκος

Άξονας περιστρεφόμενου δίσκου






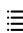


Προσάρτημα δακτύλιου περιστρεφόμενου δίσκου

- a. Ποτέ μην τοποθετείτε τον γυάλινο δίσκο ανάποδα. Ο γυάλινος δίσκος ποτέ δεν πρέπει να περιορίζεται.
- b. Τόσο ο γυάλινος δίσκος όσο και ο δακτύλιος του περιστρεφόμενου δίσκου πρέπει πάντα να χρησιμοποιούνται κατά τη διάρκεια του μαγειρέματος.
- c. Όλα τα τρόφιμα και τα δοχεία τροφίμων τοποθετούνται πάντα στον γυάλινο δίσκο για το μαγείρεμα.
- d. Εάν ο γυάλινος δίσκος ή ο δακτύλιος του περιστρεφόμενου δίσκου ραγίσει ή σπάσει, επικοινωνήστε με το πλησιέστερο εξουσιοδοτημένο κέντρο σέρβις.

# Πίνακας Ελέγχου



## Οδηγία:

	Micro./ Grill/Combi.		Weight/Time Defrost
	Kitchen Timer/ Clock		Stop/Clear
	Start/ +30Sec./Confirm		Auto Menu
	Time		Weight

## ΕΓΚΑΤΑΣΤΑΣΗ

1. Η συσκευή μπορεί να εγκατασταθεί σε ντουλάπι τοίχου 60 εκ.
2. Η συσκευή είναι εφοδιασμένη με καλώδιο τροφοδοσίας και βύσμα Schuko ή τριπολικό καλώδιο τροφοδοσίας με ελεύθερους ακροδέκτες.
3. Η συσκευή πρέπει να είναι συνδεδεμένη μόνο σε κατάλληλα τοποθετημένη γειωμένη πρίζα.
4. Η τάση δικτύου πρέπει να αντιστοιχεί στην τάση που καθορίζεται στην πινακίδα τύπου.
5. Η πρίζα πρέπει να εγκατασταθεί και το καλώδιο σύνδεσης πρέπει να αντικαθίσταται μόνο από εξειδικευμένο ηλεκτρολόγο. Αν το βύσμα δεν είναι πλέον προσβάσιμο μετά την εγκατάσταση, πρέπει να υπάρχει μια συσκευή αποσύνδεσης όλων των πόλων στην πλευρά εγκατάστασης με διάκενο επαφής τουλάχιστον 3 mm.
6. Οι προσαρμογείς, οι λωρίδες πολλαπλών διαδρομών και τα καλώδια προέκτασης δεν πρέπει να χρησιμοποιούνται. Η υπερφόρτωση μπορεί να προκαλέσει κίνδυνο πυρκαγιάς.

Η προσπελάσιμη επιφάνεια μπορεί να είναι ζεστή κατά τη διάρκεια της λειτουργίας.



# Οδηγίες Εγκατάστασης

Διαβάστε προσεκτικά το εγχειρίδιο πριν από την εγκατάσταση

## Σημειώστε

### Ηλεκτρική σύνδεση

Το τοποθετημένο ντουλάπι δεν πρέπει να έχει τοίχο πίσω από τη συσκευή. Πρέπει να διατηρηθεί ένα κενό μεταξύ του τοίχου και της βάσης της παραπάνω μονάδας.

Για το συγκεκριμένο κενό μπορείτε να ανατρέξετε στα διαγράμματα.

Ελάχιστο ύψος εγκατάστασης: 85 cm.

Μην καλύπτετε τις εγκοπές αερισμού και τις οπές αναρρόφησης.

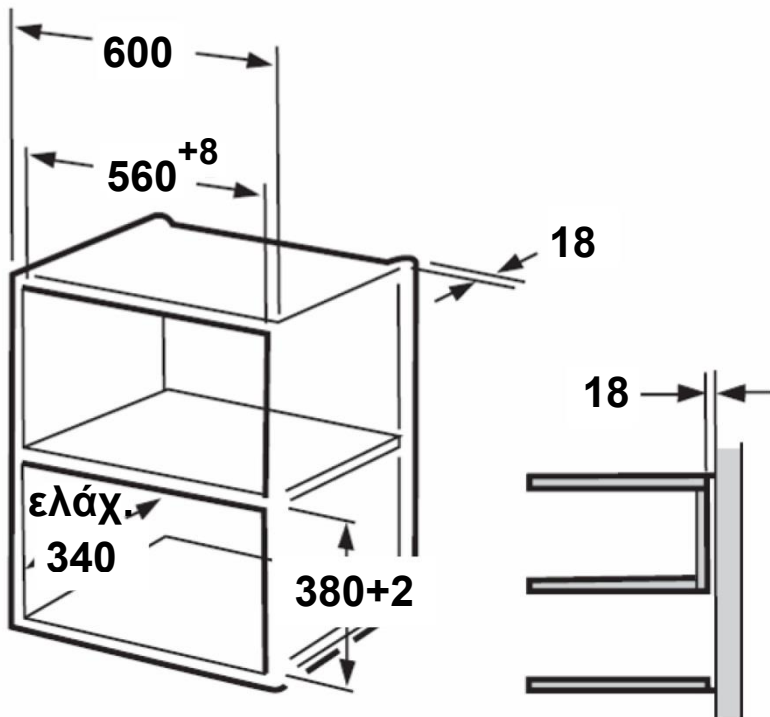
### Σημείωση:

Μην παγιδεύετε ή λυγίζετε το καλώδιο τροφοδοσίας.

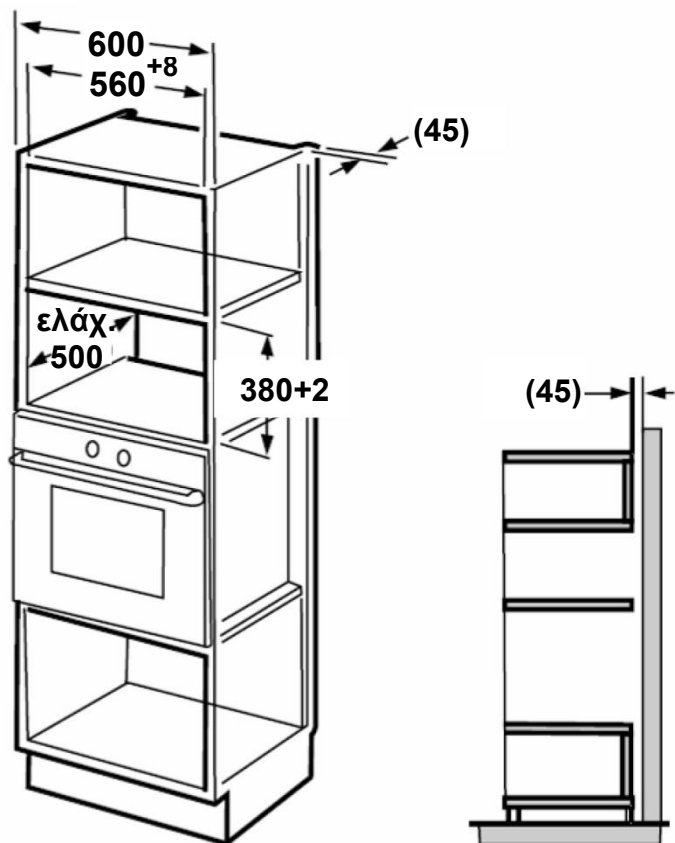
Μην χρησιμοποιείτε κάτω από επιφάνεια εργασίας και μην το αδειάζετε από το δοχείο στην επιφάνεια όπου είναι συνδεδεμένη η συσκευή

## A. Απαιτήσεις ντουλαπιού

1.



2.

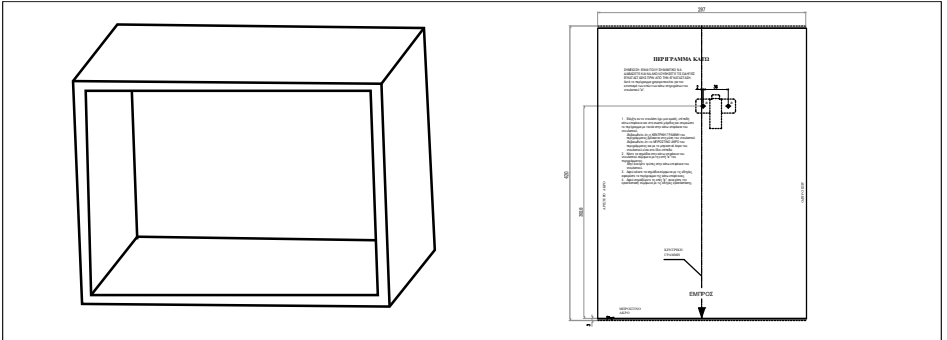


**Σημείωση:**

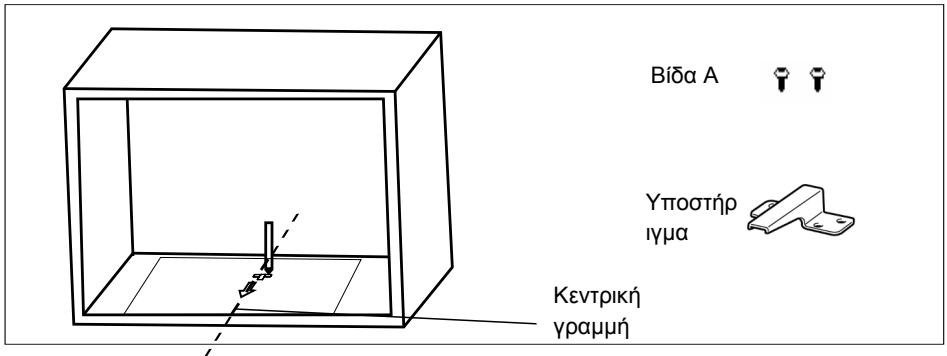
Ο βραχίονας στήριξης και το κάτω περίγραμμα του ντουλαπιού είναι απαραίτητα κατά την εγκατάσταση και στις δύο εγκαταστάσεις.

## Β. Προετοιμάστε το ντουλάπι

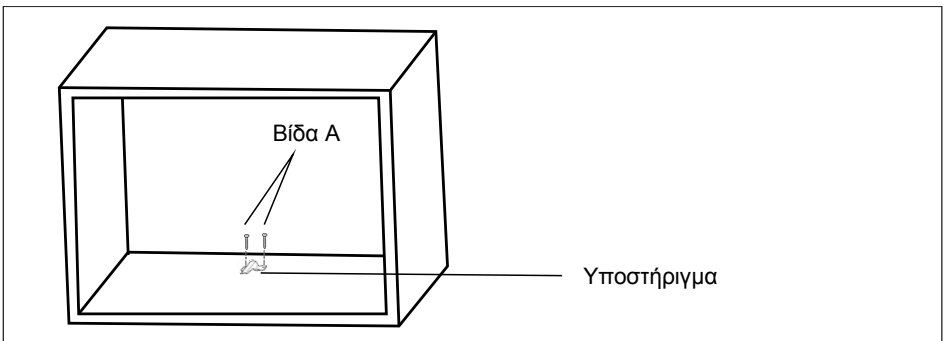
1. Διαβάστε τις οδηγίες στο ΠΕΡΙΓΡΑΜΜΑ ΚΑΤΩ ΝΤΟΥΛΑΠΙΟΥ, τοποθετήστε το περίγραμμα στο κάτω μέρος του ντουλαπιού.



2. Κάντε τα σημάδια στην κάτω επιφάνεια του ντουλαπιού σύμφωνα με τα σημάδια "α" του περιγράμματος



3. Αφαιρέστε το περίγραμμα της κάτω επιφάνειας του ντουλαπιού και στερεώστε το υποστήριγμα με τη βίδα Α.

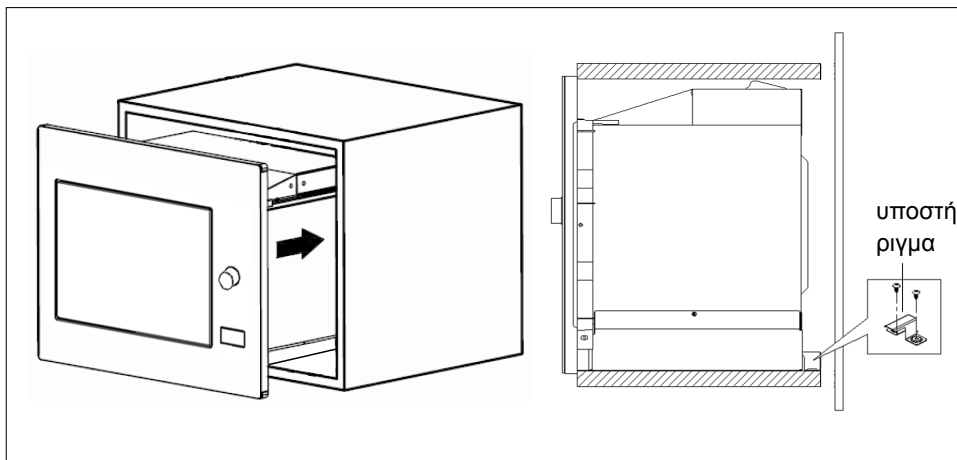




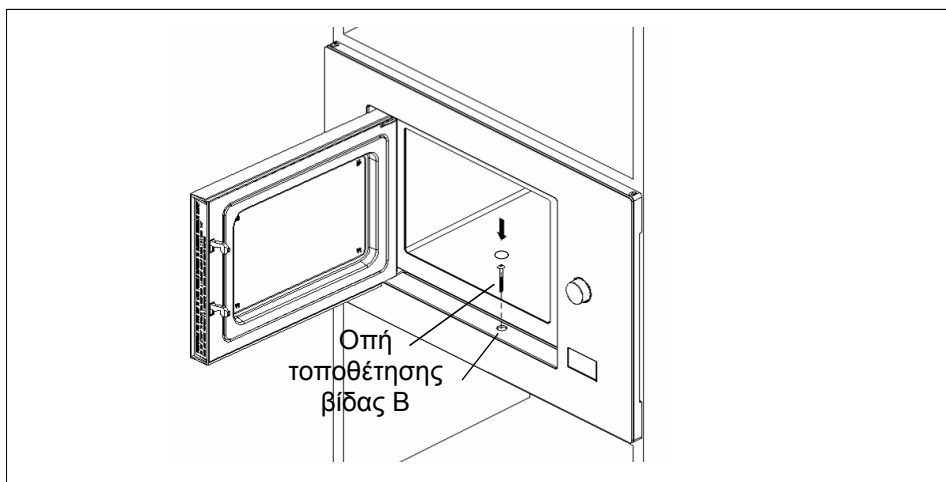
## C. Εγκαταστήστε το φούρνο

### 4. Τοποθετήστε το φούρνο στο ντουλάπι

- Βεβαιωθείτε ότι το πίσω μέρος του φούρνου είναι στερεωμένο από το υποστήριγμα.
- Μην παγιδεύετε ή λυγίζετε το καλώδιο τροφοδοσίας.



5. Ανοίξτε την πόρτα, στερεώστε τον φούρνο στο ντουλάπι με τη βίδα B, στην οπή τοποθέτησης. Στη συνέχεια, στερεώστε το kit διακοσμητικού πλαστικού καλύμματος στην οπή εγκατάστασης.




# ΛΕΙΤΟΥΡΓΙΑ

## 1. Ρύθμιση ρολογιού

Όταν ο φούρνος μικροκυμάτων συνδεθεί στο ρεύμα, στην οθόνη θα εμφανιστεί το "0:00", ο βομβητής θα ηχήσει μία φορά.

1) Πατήστε δύο φορές το **"Kitchen Timer/Clock"** (Χρονοδιακόπτης/Ρολόι Κουζίνας) για να επιλέξετε τη λειτουργία ρολογιού, τα ψηφία της ώρας θα αναβοσβήνουν.


---

2) Γυρίστε το  " για να ρυθμίσετε τις ώρες, η ώρα εισαγωγής πρέπει να είναι μεταξύ 0--23.

---

3) Πατήστε **"Kitchen Timer/Clock"** (Χρονοδιακόπτης/Ρολόι Κουζίνας), τα λεπτά θα αναβοσβήνουν.

---

4) Γυρίστε το  " για να ρυθμίσετε τα λεπτά, η ώρα εισαγωγής πρέπει να είναι μεταξύ 0--59.



---

5) Πατήστε **"Kitchen Timer/Clock"** (Χρονοδιακόπτης/Ρολόι Κουζίνας) για να ολοκληρώσετε τη ρύθμιση του ρολογιού. Το ":" θα αναβοσβήνει και θα ανάψει η ώρα.

Σημείωση: 1) Εάν το ρολόι δεν έχει ρυθμιστεί, δεν θα λειτουργήσει όταν τροφοδοτηθεί.  
2) Κατά τη διαδικασία ρύθμισης του ρολογιού, αν πατήσετε **"Stop/Clear"**, ο φούρνος θα επανέλθει αυτόματα στην προηγούμενη κατάσταση.

## 2. Μαγείρεμα σε φούρνο μικροκυμάτων

Πατήστε **"Micro./Grill/Combi."** μία φορά, στην οθόνη θα εμφανιστεί η ένδειξη "P100".


Πιέστε επανειλημμένα το **"Micro./Grill/Combi."** ή γυρίστε το  " για να επιλέξετε την ισχύ που θέλετε και με κάθε επιπλέον πίεση θα εμφανιστεί το "P100", "P 80", "P 50", "P 30", "P 10", "C-1" ή "C-2". Πατήστε **"Start/+30Sec./Confirm"** για επιβεβαίωση και περιστρέψτε το  " για να ρυθμίσετε το χρόνο μαγειρέματος από 0:05 έως

95:00. Πιέστε **"Start/+30Sec./Confirm"** ξανά για να ξεκινήσει το μαγείρεμα.

Παράδειγμα: Εάν θέλετε να χρησιμοποιήσετε το 80% της ενέργειας μικροκυμάτων για να μαγειρέψετε για 20 λεπτά, μπορείτε να χρησιμοποιήσετε το φούρνο ακολουθώντας τα παρακάτω βήματα.


1) Πατήστε **"Micro./Grill/Combi."** μία φορά, στην οθόνη εμφανίζεται το "P100".

---

2) Πατήστε ξανά το **"Micro./Grill/Combi."** μία ακόμη φορά ή γυρίστε το  " για να επιλέξετε το 80% της ισχύος μικροκυμάτων.

---

3) Πιέστε " **Start/+30Sec./Confirm** " για επιβεβαίωση, στην οθόνη εμφανίζεται το "P 80".

4) Γυρίστε το "  " για να ρυθμίσετε το χρόνο μαγειρέματος έως ότου εμφανιστεί στο φούρνο το "20:00".

5) Πιέστε " **Start/+30Sec./Confirm** " ξανά για να ξεκινήσει το μαγείρεμα.

Σημείωση: Τα βήματα για τον χρόνο ρύθμισης του διακόπτη κωδικοποίησης είναι τα εξής:

0---1 λεπτά : 5 δευτερόλεπτα

1---5 λεπτά : 10 δευτερόλεπτα

5---10 λεπτά : 30 δευτερόλεπτα


10---30 λεπτά : 1 λεπτό


30---95 λεπτά : 5 λεπτά

"Micro./Grill/Combi." Οδηγίες για μαξιλάρια

Σειρά	Οθόνη	Ισχύς μικροκυμάτων	Ισχύς γκριλ
1	P100	100%	
2	P 80	80%	
3	P 50	50%	
4	P 30	30%	
5	P 10	10%	
6	G	0%	100%
7	C-1	55%	45%
8	C-2	36%	64%

### 3. Μαγείρεμα σε γκριλ ή συνδυασμένο


Πατήστε " **Micro./Grill/Combi** " μία φορά, στην οθόνη θα εμφανιστεί η ένδειξη "P100", στη συνέχεια πατήστε επανειλημμένα το " **Micro./Grill/Combi** " ή γυρίστε το "  " για να επιλέξετε την ισχύ που θέλετε και με κάθε επιπλέον πίεση θα εμφανιστεί το "P100", "P 80", "P 50", "P 30", "P 10", "G", "C-1" ή "C-2". Στη συνέχεια πατήστε

" **Start/+30Sec./Confirm** " για επιβεβαίωση και περιστρέψτε το "  " για να ρυθμίσετε το χρόνο μαγειρέματος από 0:05 έως 95:00 Πιέστε " **Start/+30Sec /Confirm** " ξανά για να ξεκινήσει το μαγείρεμα" .

Παράδειγμα: Εάν θέλετε να χρησιμοποιήσετε το 55% της ενέργειας μικροκυμάτων και το 45% της ισχύος του γκριλ (C-1) για να μαγειρέψετε για 10 λεπτά, μπορείτε να χρησιμοποιήσετε το φούρνο ακολουθώντας τα παρακάτω βήματα.


1) Πατήστε "**Micro./Grill/Combi.**" μία φορά, στην οθόνη "P100"

---

2) Πατήστε "**Micro./Grill/Combi.**" για φορές ή γυρίστε  " για να επιλέξετε combi. 1 λειτουργία.

3) Πατήστε "**Start/+30Sec./Confirm**" για επιβεβαίωση, στην οθόνη εμφανίζεται το "C-1".

---

4) Γυρίστε το  " για να ρυθμίσετε το χρόνο μαγειρέματος έως ότου ο φούρνος εμφανίσει το "10:00".

---


5) Πατήστε "**Start/+30Sec./Confirm**" για να ξεκινήσει το μαγείρεμα.

Σημείωση: Εάν περάσει ο μισός χρόνος μαγειρέματος, ο φούρνος εκπέμπει έναν ήχο δύο φορές και αυτό είναι φυσιολογικό. Για να έχετε καλύτερο ψήσιμο του φαγητού στο γκριλ, θα πρέπει να γυρίσετε το φαγητό, να κλείσετε την πόρτα και στη συνέχεια να πατήσετε "**Start/+30Sec./Confirm**" για να συνεχιστεί το μαγείρεμα. Εάν δεν γίνει καμία ενέργεια, ο φούρνος θα συνεχίσει να λειτουργεί.

#### 4. Γρήγορη εκκίνηση

1) Σε κατάσταση αναμονής, πατήστε "**Start/+30Sec./Confirm**" για να ξεκινήσει το μαγείρεμα 30 δευτερολέπτων με ισχύ 100%, κάθε πρόσθετη πίεση θα αυξήσει το χρόνο μαγειρέματος των 30 δευτερολέπτων έως τα 95 λεπτά.


2) Σε μικροκύματα, γκριλ, συνδυασμό μαγειρέματος ή κατάσταση απόψυξης, κάθε πάτημα του κουμπιού "**Start/+30Sec./Confirm**" μπορεί να αυξήσει το χρόνο μαγειρέματος για 30 δευτερόλεπτα.

3) Σε κατάσταση αναμονής, περιστρέψτε το  " αριστερά για να ρυθμίσετε το χρόνο μαγειρέματος με ισχύ μικροκυμάτων 100%. Μετά την επιλογή του χρόνου μαγειρέματος, πατήστε "**Start/+30Sec./Confirm**" για να ξεκινήσετε το μαγείρεμα.

#### 5. Απόψυξη κατά βάρος

1) Πιέστε το "**Weight/Time Defros**" (Βάρος/Χρόνος/Απόψυξη) μία φορά, ο φούρνος θα εμφανίσει το "dEF1".

---


2) Γυρίστε το  " για να επιλέξετε το βάρος της τροφής από 100 έως 2000 γρ.

---


3) Πατήστε "**Start/+30Sec./Confirm**" για να ξεκινήσει η απόψυξη.

---

## 6. Απόψυξη με χρόνο



- 1) Πιέστε το " **Weight/Time Defrost** " δύο φορές, ο φούρνος θα εμφανίσει το "dEF2".
- 2) Γυρίστε το "  " για να επιλέξετε τον χρόνο απόψυξης. Ο χρόνος MAX είναι 95 λεπτά.
- 3) Πατήστε " **Start/+30Sec./Confirm** " για να ξεκινήσει η απόψυξη. Η ισχύς απόψυξης είναι P 30 και δεν μπορεί να αλλάξει.

## 7. Χρονοδιακόπτης κουζίνας



- 1) Πατήστε " **Kitchen Timer/Clock** " (Χρονοδιακόπτης Κουζίνας / Ρολόι) μία φορά, η οθόνη θα εμφανιστεί 00:00.
- 2) Γυρίστε "  " για να εισάγετε τη σωστή ώρα. (Ο μέγιστος χρόνος μαγειρέματος είναι 95 λεπτά.)
- 3) Πατήστε " **Start/+30Sec./Confirm** " για επιβεβαίωση της ρύθμισης.
- 4) Όταν επιτευχθεί ο χρόνος στην κουζίνα, ο βομβητής θα ηχήσει 5 φορές.  
Αν έχει ρυθμιστεί το ρολόι (σύστημα 24 ωρών), στην οθόνη θα εμφανιστεί η τρέχουσα ώρα.

Σημείωση: Η ώρα της κουζίνας είναι διαφορετική από το σύστημα 24 ωρών. Ο χρονοδιακόπτης κουζίνας είναι ένας χρονοδιακόπτης.

## 8. Αυτόματο μενού

- 1) Γυρίστε "  " δεξιά για να επιλέξετε το μενού, θα εμφανιστεί το "A-1" έως το "A-8".
- 2) Πατήστε " **Start/+30Sec./Confirm** " για επιβεβαίωση.
- 3) Γυρίστε το "  " για να επιλέξετε το προεπιλεγμένο βάρος σύμφωνα με τον πίνακα του μενού.
- 4) Πατήστε " **Start/+30Sec./Confirm** " για να ξεκινήσει το μαγείρεμα.

Παράδειγμα: Εάν θέλετε να χρησιμοποιήσετε το "Αυτόματο μενού" για να μαγειρέψετε ψάρια 350 γρ.

- 1) Γυρίστε το "  " δεξιόστροφα μέχρι την ένδειξη "A-6".
- 2) Πατήστε " **Start/+30Sec./Confirm** " για επιβεβαίωση.
- 3) Γυρίστε το "  " για να επιλέξετε το βάρος των ψαριών μέχρι την ένδειξη "350".
- 4) Πατήστε " **Start/+30Sec./Confirm** " για να ξεκινήσει το μαγείρεμα.

Πίνακας μαγειρέματος

Μενού	Βάρος	Ένδειξη
Α-1 Πίτσα	200 γρ.	200
	400 γρ.	400
Α-2 Κρέας	250 γρ.	250
	350 γρ.	350
	450 γρ.	450
Α-3 Λαχανικά	200 γρ.	200
	300 γρ.	300
	400 γρ.	400
Α-4 Ζυμαρικά	50 γρ. (με 450 γρ. κρύο νερό)	50
	100 γρ. (με 800 γρ. κρύο νερό)	100
Α-5 Πατάτες	200 γρ.	200
	400 γρ.	400
	600 γρ.	600
Α-6 Ψάρια	250 γρ.	250
	350 γρ.	350
	450 γρ.	450
Α-7 Ροφήματα	1 φλυτζάνι (120 ml)	1
	2 φλυτζάνια (240 ml)	2
	3 φλυτζάνια (360 ml)	3
Α-8 Porcorn	50 γρ.	50
	100 γρ.	100


## 9. Μαγείρεμα πολλαπλών τμημάτων

Μπορούν να ρυθμιστούν το πολύ 2 τμήματα για το μαγείρεμα. Στο μαγείρεμα πολλαπλών τμημάτων, εάν σε ένα τμήμα γίνεται απόψυξη, τότε η απόψυξη τοποθετείται αυτόματα στο πρώτο τμήμα.

Παράδειγμα: Αν θέλετε να ξεπαγώσετε τα τρόφιμα για 5 λεπτά και στη συνέχεια να μαγειρέψετε με 80% ισχύ μικροκυμάτων για 7 λεπτά, ενεργήστε ως εξής:

1) Πιέστε το "**Weight/Time Defrost**" δύο φορές, ο φούρνος θα εμφανίσει το "dEF2".


---

2) Γυρίστε το " " για να επιλέξετε τον χρόνο απόψυξης μέχρι να εμφανιστεί η ένδειξη "5:00".

---

3) Πατήστε "**Micro./Grill/Combi.**" μία φορά, στην οθόνη εμφανίζεται το "P100".


---

4) Πατήστε "**Micro./Grill/Combi.**" μία ακόμη φορά ή γυρίστε το " " για να επιλέξετε το 80% της ισχύος μικροκυμάτων.

---

5) Πατήστε "**Start/+30Sec./Confirm**" για επιβεβαίωση, την οθόνη εμφανίζεται η ένδειξη "P 80".

---

6) Γυρίστε το " " για να ρυθμίσετε το χρόνο μαγειρέματος έως ότου ο φούρνος εμφανίσει το "7:00".

---


7) Πατήστε "**Start/+30Sec./Confirm**" για να ξεκινήσει το μαγείρεμα, ο βομβητής θα ηχήσει μία φορά για το πρώτο τμήμα, αρχίζει η αντίστροφη μέτρηση απόψυξης. Ο βομβητής θα ηχήσει ξανά κατά την έναρξη του δεύτερου μαγειρέματος. Όταν ολοκληρωθεί το μαγείρεμα, ο βομβητής ηχεί πέντε φορές.

## 10. Λειτουργία πληροφοριών

1) Στις καταστάσεις μικροκυμάτων, σχάρας και συνδυασμένου μαγειρέματος, πατήστε "**Micro./Grill/Combi.**", η τρέχουσα ισχύς θα εμφανιστεί για 3 δευτερόλεπτα. Μετά από 3 δευτερόλεπτα, ο φούρνος θα επανέλθει στην προηγούμενη κατάσταση.

2) Σε κατάσταση μαγειρέματος, πατήστε "**Kitchen Timer/Clock**" (Χρονοδιακόπτης Κουζίνας/Ρολόι) για να εμφανιστεί ο χρόνος και η ώρα για 3 δευτερόλεπτα.

## 11. Λειτουργία κλειδώματος για παιδιά

Κλειδώμα: Σε κατάσταση αναμονής, πατήστε "**Stop/Clear**" (Διακοπή/Διαγραφή) για 3 δευτερόλεπτα, θα ακουστεί ένα μακρύ μπιπ που δηλώνει την είσοδο στην κατάσταση κλειδώματος για παιδιά. Το  θα ανάψει και θα εμφανιστεί ο τρέχων χρόνος, εάν έχει ρυθμιστεί ο χρόνος. Διαφορετικά, στην οθόνη θα εμφανιστεί η ένδειξη "L - - J".

Ξεκλειδώμα: Σε κατάσταση κλειδώματος, πατήστε "**Stop/Clear**" (Διακοπή/Διαγραφή) για 3 δευτερόλεπτα, θα ακουστεί ένα μακρύ "μπιπ" που υποδηλώνει ότι η κλειδαριά ελευθερώθηκε.

## ΟΔΗΓΟΣ ΑΝΤΙΜΕΤΩΠΙΣΗΣ ΠΡΟΒΛΗΜΑΤΩΝ

<b>Κανονικός</b>	
Ο φούρνος μικροκυμάτων παρεμβάλλεται στην λήψη TV	Η λήψη του ραδιοφώνου και της τηλεόρασης μπορεί να επηρεαστεί όταν ο φούρνος μικροκυμάτων λειτουργεί. Είναι παρόμοιο με την παρεμβολή μικρών ηλεκτρικών συσκευών, όπως μίξερ, ηλεκτρική σκούπα και ηλεκτρικός ανεμιστήρας. Είναι φυσιολογικό.
Χαμήλωμα φωτισμού φούρνου	Με τον φούρνο μικροκυμάτων σε χαμηλή κατανάλωση, ο φωτισμός του φούρνου μπορεί να μειωθεί. Αυτό είναι φυσιολογικό.
Ο ατμός συσσωρεύεται στην πόρτα, ο ζεστός αέρας βγαίνει από τους αεραγωγούς	Κατά το μαγείρεμα, μπορεί να βγει ατμός από το φαγητό. Ο περισσότερος θα βγει από τα ανοίγματα. Ωστόσο μια μικρή ποσότητα μπορεί να συσσωρευτεί σε δροσερό μέρος όπως η πόρτα του φούρνου. Είναι φυσιολογικό.
Ο φούρνος ξεκίνησε τυχαία χωρίς φαγητό.	Απαγορεύεται η λειτουργία της μονάδας χωρίς φαγητό στο εσωτερικό. Είναι πολύ επικίνδυνο.

<b>Πρόβλημα</b>	<b>Πιθανή αιτία</b>	<b>Αντιμετώπιση</b>
Ο φούρνος δεν μπορεί να ξεκινήσει.	(1) Το καλώδιο τροφοδοσίας δεν είναι καλά συνδεδεμένο.	Αποσυνδέστε το. Στη συνέχεια συνδέστε το ξανά μετά από 10 δευτερόλεπτα.
	(2) Καμμένη ασφάλεια ή ενεργοποίηση ασφαλειοδιακόπτη.	Αντικαταστήστε τον ασφαλειοδιακόπτη ή επαναφέρετε τον ασφαλειοδιακόπτη (που πρέπει να επισκευαστεί από επαγγελματία της εταιρείας μας)
	(3) Πρόβλημα με την πρίζα.	Ελέγξτε την πρίζα με άλλες ηλεκτρικές συσκευές.
Ο φούρνος δεν θερμαίνεται.	(4) Η πόρτα δεν κλείνει καλά.	Κλείστε καλά την πόρτα.



### ΑΠΟΡΡΙΨΗ

Το σύμβολο στο προϊόν ή στη συσκευασία υποδηλώνει ότι η συσκευή δεν πρέπει να απορρίπτεται με τα οικιακά απορρίμματα. Με τη σωστή απόρριψη της συσκευής συμβάλλετε στην αποφυγή επιζήμιων επιπτώσεων για το περιβάλλον και την υγεία.

Περισσότερες πληροφορίες σχετικά με την ανακύκλωση της συσκευής διατίθενται από την αρμόδια αρχή, την τοπική υπηρεσία διάθεσης απορριμμάτων ή τον πωλητή της συσκευής. Απορρίψτε τη συσκευή, η οποία πρόκειται να απορριφθεί, μέσω ειδικού σημείου συλλογής αποβλήτων για ηλεκτρονικές και ηλεκτρικές συσκευές.



# ΕΞΥΠΗΡΕΤΗΣΗ ΠΕΛΑΤΩΝ

Ανατρέξτε στη διεύθυνση επικοινωνίας στην ιστοσελίδα μας: [www.franke.com](http://www.franke.com)

## ΤΕΧΝΙΚΑ ΣΤΟΙΧΕΙΑ

Μοντέλο:	FMW 20 SMP G XS / FSL 20 MW XS / FSL 20 MW BK
Όνομαστική ισχύς:	230V~50Hz
Όνομαστική ισχύς εισόδου (Μικροκύματα):	1250W
Όνομαστική ισχύς εξόδου (Μικροκύματα):	800W
Όνομαστική ισχύς εισόδου (Γκριλ):	1000W
Χωρητικότητα φούρνου:	20L
Διάμετρος περιστρεφόμενου δίσκου:	Ø245 mm
Εξωτερικές διαστάσεις:	595x343,5x388 mm
Καθαρό βάρος:	Περίπου 15kg

### ΚΑΤΑΝΑΛΩΣΗ ΕΝΕΡΓΕΙΑΣ

Πληροφορίες προϊόντος για την κατανάλωση ενέργειας και τον μέγιστο χρόνο για να φτάσει σε κατάσταση χαμηλής κατανάλωσης ενέργειας.

---

Λειτουργία αναμονής

0.8 W

---

Ο μέγιστος χρόνος που απαιτείται για να φτάσει ο φούρνος μικροκυμάτων αυτόματα στην ισχύουσα λειτουργία ή κατάσταση χαμηλής κατανάλωσης ενέργειας.

20 λεπτά

---

Před použitím trouby si pozorně přečtěte uživatelský návod a bezpečnostní informace.

Návod uschovejte kvůli následným nahlédnutím.

Výrobce nemůže být odpovědný za možné poškození, které by se mohlo vyskytnout v důsledku nesprávné instalace, nesprávného nebo nerozumného použití tohoto zařízení.

Elektrická bezpečnost trouby je zaručena pouze v případě, když je připojena k zemnicímu rozvodu, který je v souladu s platnými předpisy.

Pro zajištění bezpečné a účinné činnosti tohoto elektrického zařízení:

- se obraťte výhradně na autorizovaná servisní střediska;
- neměňte žádnou z funkcí zařízení.

Toto zařízení smějí používat děti pouze od 8 let. Osoby s omezenými fyzickými, smyslovými nebo duševními schopnostmi nebo s nedostatkem zkušeností a znalostí jej mohou používat pouze pod dohledem, nebo když dostaly pokyny ohledně bezpečného použití zařízení a porozuměly souvisejícím rizikům. Děti si se spotřebičem nesmějí hrát. Nedovolte dětem, aby bez dohledu prováděly čištění a běžnou údržbu spotřebiče.

Toto zařízení není hračkou.

Nenechávejte děti v blízkosti zařízení bez dohledu.

Nedovolte dětem, aby se dotýkaly zařízení nebo jeho ovládacích prvků během jeho použití a bezprostředně po něm.

**UPOZORNĚNÍ:** Aby se zabránilo riziku, způsobenému neúmyslným vyřazením tepelné pojistky, toto zařízení nesmí být připojeno prostřednictvím externího vypínače, jako je časovač, nebo připojeno k obvodu, který je spotřebičem pravidelně zapínán a vypínán.

Ujistěte se, že zařízení je nainstalováno tak, aby jej bylo možné odpojit od zdroje elektrického napájení s rozpínací vzdáleností kontaktů, které zajistí úplné odpojení v podmínkách přepětí – kategorie III. Odpojovací prostředky musí být zabudované v neměnném propojení ve shodě s předpisy pro elektroinstalace.

Používejte výhradně teplotní sondu doporučenou pro tuto troubu.

Spotřebič neinstalujte za dekorativní dvířka. Může dojít k jeho přehřátí.

**VAROVÁNÍ:** Riziko vzniku popálenin!

Během používání zařízení dosahuje vysokých teplot.

Postupujte opatrně, abyste se nedotkli topných těles. Děti mladší 8 let by se neměly ke spotřebiči přibližovat, pokud nejsou pod dohledem.

Riziko vzniku popálenin!

Koncová část rukojeti dvířek může být teplejší kvůli ventilaci cirkulujícím vzduchem.

Když se trouba nepoužívá, vždy se ujistěte, že otočné ovladače se nacházejí v poloze vypnuto.

**VAROVÁNÍ:** Před výměnou žárovky se ujistěte, že zařízení je vypnuto, aby se zabránilo možnosti zásahu elektrickým proudem.

Při čištění skla dvířek trouby / skla vyklápěcího víka nepoužívejte abrazivní čisticí prostředky nebo ostré kovové škrabky, protože by mohly poškrábat povrch a způsobit tím roztříštění skla.

K čištění nepoužívejte parní čističky nebo přímé proudy vody.

Při poškození napájecího kabelu je třeba nechat provést jeho výměnu výrobcem, jeho servisním zástupcem nebo obdobně kvalifikovanou osobou, aby se zabránilo možnému riziku.

Varování: Tekutiny a ostatní jídla nesmí být ohřívány v utěsněných nádobách, protože může dojít k výbuchu.

Varování: Provádění servisních zákroků nebo oprav, při kterých je potřebné odmontovat víko poskytující ochranu před mikrovlnnou energií, musí být svěřeno kompetentní osobě, protože pro ostatní osoby představuje riziko.

Udržujte zařízení a jeho kabel mimo dosah dětí mladších 8 let.

Používejte výhradně náčiní, které je vhodné pro použití v mikrovlnné troubě.

Troubu je třeba pravidelně čistit a odstraňovat z ní všechny zbytky jídla.

Při ohřevu jídla v plastových nebo papírových nádobách dohlížejte na troubu kvůli možnosti vznícení.

Při výskytu kouře vypněte nebo odpojte zařízení a nechte zavřená dvířka kvůli udušení jakýchkoli plamenů.

Vejde naměkko i natvrdo nesmí být v mikrovlnné troubě ohřívána, protože by mohla vybuchnout i po vypnutí mikrovlnného ohřevu.

Toto zařízení je určeno pro použití v domácnosti a v podobných aplikacích, jako například:

- kuchyňky pro personál v obchodech, kancelářích a ostatních pracovištích;
- použití zákazníky v hotelech, motelech a ostatních budovách rezidenčního typu;
- chalupy;
- prostředí typu bed and breakfast.

Při poškození napájecího kabelu je třeba nechat provést jeho výměnu výrobcem, jeho servisním zástupcem nebo obdobně kvalifikovanou osobou, aby se zabránilo možnému riziku.

Není-li trouba udržována v čistém stavu, může to vést k zhoršení stavu povrchu a tím i k negativnímu ovlivnění životnosti zařízení a možnému vzniku rizikové situace.

Obsah kojeneckých láhví a přesnídávek je třeba zamíchat nebo protřepat a dále je třeba zkontrolovat teplotu před vlastní spotřebou, aby se zabránilo popálení.

Ohřev nápojů v mikrovlnné troubě může vést k opožděnému výbušnému varu a proto je třeba věnovat manipulaci s nádobou náležitou péči.

Mikrovlnnou troubu je třeba používat s otevřenými dekoračními dvířky.

Mikrovlnná trouba je určena k ohřevu jídla a nápojů. Sušení jídla nebo oděvů a ohřívání ohřívacích deček, domácí obuvi, hub, mokrého prádla a podobných předmětů může vést k riziku úrazu, vznícení nebo požáru.

**VAROVÁNÍ:** V případě opotřebení/poškození těsnění dvířek nesmí být trouba používána dokud nebude opravena vyškoleným personálem.

Zařízení je určeno výhradně pro domácí použití.

Tato trouba je určena výhradně pro vestavění. Není určena pro použití na pracovních deskách nebo pro použití uvnitř skříňky.

# Snížení rizika úrazu osob instalací uzemnění

## NEBEZPEČÍ

Při dotyku s vnitřními součástkami hrozí vážné riziko zásahu elektrickým proudem, což může vést k vážnému poškození zdraví nebo smrti. Nerozebírejte toto zařízení.

## VAROVÁNÍ

Špatné uzemnění může vést k samotnému zásahu elektrickým proudem.

Nezapojujte zařízení do zásuvky elektrické sítě ve stěně, pokud není náležitě instalována a uzemněna.

Zařízení musí být uzemněno. V případě zkratu elektrického obvodu uzemnění snižuje riziko zásahu elektrickým proudem tím, že poskytuje únikovou cestu pro elektrický proud. Toto zařízení je vybaveno napájecím kabelem se zemnicím vodičem a uzemněnou zástrčkou.

Zástrčka musí být zasunuta do vhodně nainstalované a uzemněné zásuvky elektrické sítě ve stěně.

Když jste úplně nepochopili pokyny pro uzemnění, nebo když máte pochybnosti ohledně vhodného uzemnění zařízení, obraťte se na kvalifikovaného elektrikáře nebo servisního technika.

Je-li třeba použít prodlužovací kabel, používejte výhradně kabel se 3 vodiči.

1. Součástí zařízení je krátký napájecí kabel, který snižuje riziko možného zapletení nebo zakopnutí.

2. Při použití dlouhého napájecího kabelu nebo při použití prodlužovacího kabelu:

1) Vyznačená jmenovitá hodnota výpočtového elektrického výkonu musí být přinejmenším tak vysoká jako jmenovitá elektrická hodnota výpočtového elektrického výkonu zařízení.

2) Prodlužovací kabel musí být typu se 3 vodiči.

3) Dlouhý kabel musí být uspořádán tak, aby nebyl položen volně na pracovní desce nebo na desce stolu, kde by za něj mohly zatáhnout děti nebo kde by se do něj mohly nechtěně zachytit.

- Nepřevařujte jídlo.
  - Nepoužívejte vnitřek trouby pro skladovací účely.
  - Neskladujte uvnitř trouby žádné věci, jako chléb, sušenky apod.
  - Před vložením papírových nebo plastových nádob/sáčků do trouby z nich odstraňte uzavírací sponky a kovová držadla.
  - Tuto troubu nainstalujte nebo umístěte výhradně v souladu s dodanými pokyny pro instalaci.
- Neskladujte ani nepoužívejte zařízení ve venkovním prostředí.
- Nepoužívejte tuto troubu v blízkosti vody, v mokřem suterénu nebo v blízkosti bazénu.
  - Během činnosti zařízení může být teplota přístupných povrchů vysoká.
  - Povrchy zařízení se během jeho použití zahřívají.
  - Udržujte napájecí kabel v dostatečné vzdálenosti od horkého povrchu a nezakrývejte žádné větrací otvory na troubě.
  - Nenechávejte kabel viset nad stolem nebo kuchyňskou linkou.
- Nepokoušejte se používat tuto troubu s otevřenými dvířky, protože by to mohlo vést k nebezpečnému ohrožení mikrovlnou energií. Neprovádějte neoprávněné zásahy bezpečnostního blokování ani jej neporušujte.
- Neumísťujte žádné předměty mezi přední stranu trouby a dvířka a nedovolte, aby se na těsnících površích hromadila nečistota nebo zbytky čisticího prostředku.



# ČIŠTĚNÍ

Před čištěním odpojte zařízení od elektrického napájení.

1. Vnitřní prostor trouby čistěte mírně navlhčeným hadrem.
2. Příslušenství vyčistěte obvyklým způsobem ve vodě se saponátem.
3. Znečištěný rám dvířek, těsnění a sousedící součásti musí být pečlivě vyčištěny vlhkým hadrem.
4. Nepoužívejte k čištění skla dvířek trouby abrazivní čisticí prostředky nebo ostré kovové škrabky, protože by mohly poškrábat povrch a způsobit roztříštění skla.
5. Rada pro čištění --- Pro usnadnění čištění stěn vnitřního prostoru, kterého se může dotýkat připravované jídlo: Vložte do misky polovinu citronu, přidejte 300 ml (1/2 penty) vody a ohřívejte na 100 % mikrovlnného výkonu po dobu 10 minut. Čistou troubu otřete měkkým, suchým hadrem.

## NÁČINÍ

### UPOZORNĚNÍ

**Riziko poškození zdraví** Pro kohokoli, kromě kompetentní osoby, představuje provádění úkonů údržby nebo opravy, které zahrnují demontáž víka chránícího proti expozici mikrovlnné energii riziko.

Přečtěte si pokyny ohledně „Materiálů, které můžete a které nesmíte používat v mikrovlnné troubě“. Některé nekovové náčiní nemusí být pro použití v mikrovlnné troubě vhodné. V případě pochybností můžete odzkoušet předmětné náčiní níže uvedeným způsobem.

Zkouška náčiní:

1. Naplňte nádobu bezpečnou pro použití v mikrovlnné troubě 1 šálkem studené vody (250 ml) a vložte do ní dané náčiní.
2. Ohřívejte na maximálním výkonu po dobu 1 minuty.
3. Opatrně sáhněte na náčiní. Když je prázdné náčiní teplé, nepoužívejte jej pro přípravu jídel v mikrovlnné troubě.
4. Nepřesahujte 1 minutu doby ohřevu.

## Materiály vhodné pro používání v mikrovlnné troubě

Náčiní	Poznámky
Pečicí nádoba	Postupujte dle pokynů výrobce. Dno pečicí nádoby se musí nacházet nejméně 5 mm (3/16 inch) nad otočným talířem. Nesprávné použití může způsobit prasknutí otočného talíře.
Stolní nádobí	Používejte pouze to, které je bezpečné pro použití v mikrovlnné troubě. Postupujte dle pokynů výrobce. Nepoužívejte prasklé nebo odštípnuté nádobí.
Skleněné nádoby	Vždy odložte víko. Používejte je pouze k ohřevu jídla, dokud není teplé. Většina skleněných nádob není žáruvzdorná a mohla by prasknout.
Skleněné nádobí	Používejte pouze to, které je žáruvzdorné a určené pro použití v troubě. Ujistěte se, že nemá žádné kovové ozdoby. Nepoužívejte prasklé nebo odštípnuté nádobí.
Pečicí sáčky	Postupujte dle pokynů výrobce. Neuzavírejte je kovovou páskou. Vytvořte štěrbinu pro únik páry.
Papírové talíře a šálky	Používejte je pouze pro krátkodobou přípravu/ohřev. Nenechávejte troubu během přípravy jídla bez dohledu.
Papírové utěrky	Použijte je pro zakrytí jídla kvůli opětovnému ohřevu a pohlčení tuku. Používejte je pouze pro krátkodobou přípravu, a to pod dohledem.
Pergamenový papír	Použijte jej pro předcházení vystříknutí nebo k obalení pro přípravu v páře.
Plastové nádobí	Používejte pouze to, které je bezpečné pro použití v mikrovlnné troubě. Postupujte dle pokynů výrobce. Musí být označeno „bezpečné pro použití v mikrovlnné troubě“. Některé plastové nádoby při ohřevu jídla, které se v nich nachází, měknou. „Varné sáčky“ a natěsno uzavřené plastové sáčky musí být nařezané, propíchnuté nebo odvětrávané podle pokynů na obalu.
Plastová obalová fólie	Používejte pouze tu, která je bezpečná pro použití v mikrovlnné troubě. Používejte ji pro zachycení vlhkosti během přípravy jídla. Fólii oviňte tak, aby se nedotýkala jídla.
Teploměry	Používejte pouze ty, které jsou bezpečné pro použití v mikrovlnné troubě (teploměry na maso a cukroví).
Voskový papír	Používejte jej k zakrytí pro předcházení vystříknutí a zadržení vlhkosti.

## Materiály nevhodné pro používání v mikrovlnné troubě

Náčiní	Poznámky
Hliníkové tácky	Mohou způsobit jiskření. Přemístěte jídlo do nádobí bezpečného pro použití v mikrovlnné troubě.
Potravinové kartony s kovovým držadlem	Mohou způsobit jiskření. Přemístěte jídlo do nádobí bezpečného pro použití v mikrovlnné troubě.
Kovové náčiní nebo náčiní s kovovými ozdobami	Kov stíní jídlo a neumožňuje, aby na něj působila mikrovlnná energie. Kovové ozdoby mohou způsobovat jiskření.
Kovové uzavírací sponky	Mohou způsobovat jiskření a dokonce i požár uvnitř trouby.
Papírové sáčky	Mohou způsobit požár uvnitř trouby.
Plastiková pěna	Plastiková pěna se může při vystavení vysoké teplotě roztavit nebo může kontaminovat tekutinu, která se nachází uvnitř.
Dřevo	Dřevo se v mikrovlnné troubě vysouší a může se rozštípnout nebo prasknout.

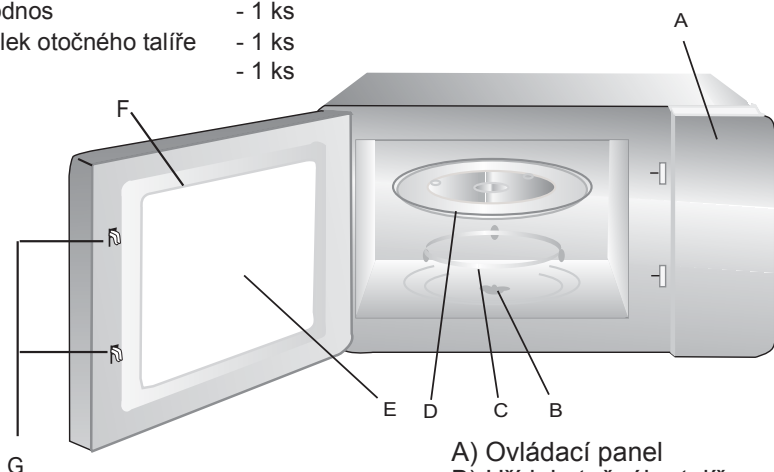
# HLAVNÍ ČÁSTI

## Názvy částí trouby a příslušenství

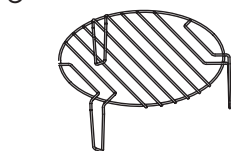
Vytáhněte troubu a všechny materiály z kartonové krabice a z vnitřního prostoru trouby.

Vaše trouba je dodávána s následujícím příslušenstvím:

Skleněný podnos	- 1 ks
Montážní celek otočného talíře	- 1 ks
Návod	- 1 ks



- A) Ovládací panel
- B) Hřídel otočného talíře
- C) Montážní celek kroužku otočného talíře
- D) Skleněný podnos
- E) Pozorovací okénko
- F) Montážní celek dvířek
- G) Bezpečnostní systém interního blokování



Stojan grilu (je určen výhradně k použití s funkcí grilu a umísťuje se na skleněný podnos)

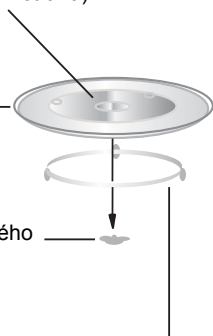
## Instalace otočného talíře

Náboj (spodní strana)

Skleněný podnos

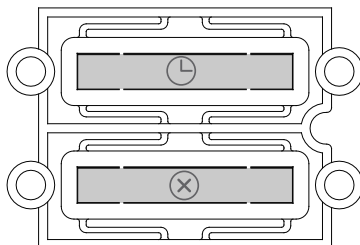
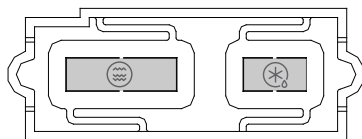
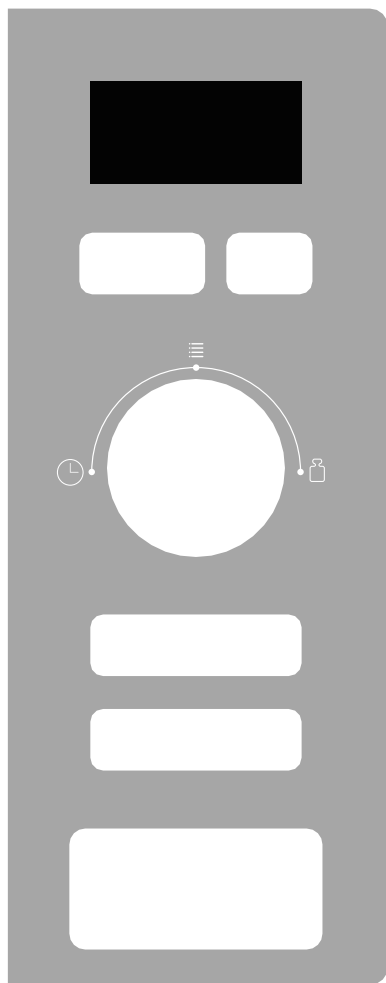
Hřídel otočného talíře

Montážní celek otočného talíře

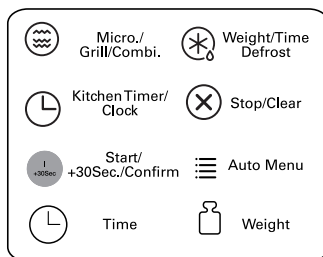


- a. Nikdy nekladte skleněný podnos obráceně. Skleněný podnos se musí volně otáčet.
- b. Během přípravy jídel musí být vždy použit skleněný podnos i montážní celek kroužku otočného talíře.
- c. Za účelem přípravy musí být všechno jídlo a nádoby na jídlo umístěny na skleněný podnos.
- d. Při prasknutí skleněného podnosu nebo kroužku otočného talíře se obraťte na nejbližší autorizované servisní středisko.

# Ovládací panel



## Vysvětlivky:



# INSTALACE

1. Zařízení musí být nainstalováno do nástěnné skříňky široké 60 cm.
2. Zařízení je dodáváno s napájecím kabelem vybaveným zástrčkou typu Schuko nebo s napájecím kabelem s volnými svorkami.
3. Zařízení musí být připojeno pouze do vhodné nainstalované a uzemněné zásuvky elektrické sítě.
4. Napětí napájecí sítě se musí shodovat s napětím uvedeným na identifikačním štítku.
5. Instalace zásuvky elektrické sítě i výměna napájecího kabelu musí být prováděna výhradně kvalifikovaným elektrikářem. Když zástrčka po instalaci již není přístupná, na instalační straně musí být přítomen rozpojovací prvek pro rozpojení všech pólů, se vzdáleností kontaktů nejméně 3 mm.
6. Adaptéry, rozvodky a prodlužovací kabely se nesmí používat. Přehřátí může vést ke vzniku požáru.

**Přístupný povrch se může během činnosti ohřívat.**



# Pokyny pro instalaci

Před instalací si, prosím, pozorně přečtěte návod

## Důležité informace

### Elektrické připojení

Dodaná skříňka nesmí mít zadní stěnu za zařízením.

Mezi stěnou a spodní částí výše uvedeného zařízení se musí nacházet mezera.

Specifická velikost mezery může být uvedena na schématech.

Minimální výška instalace: 85 cm.

Nezakrývejte větrací štěrby a nasávací otvory.

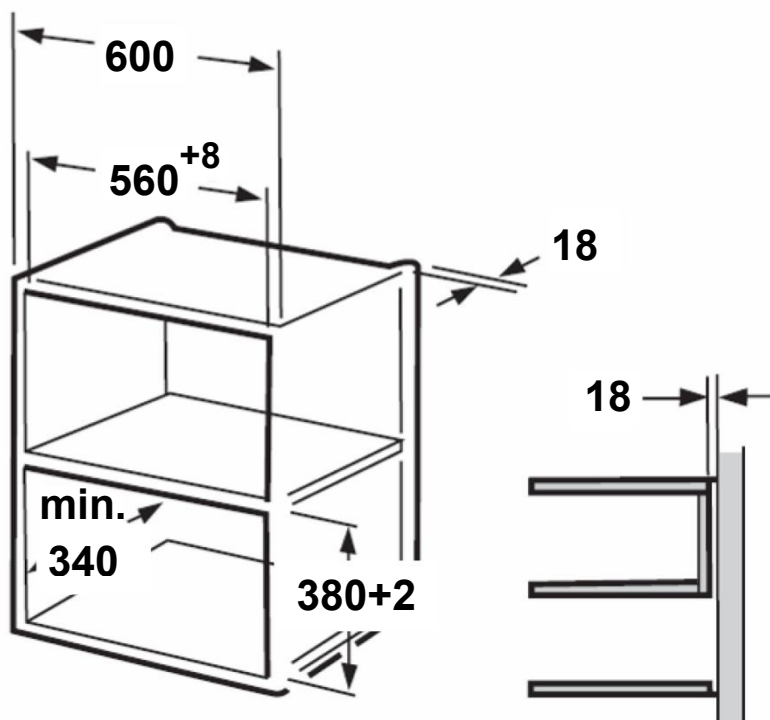
### Poznámka:

Nepřichycujte a neohýbejte napájecí kabel.

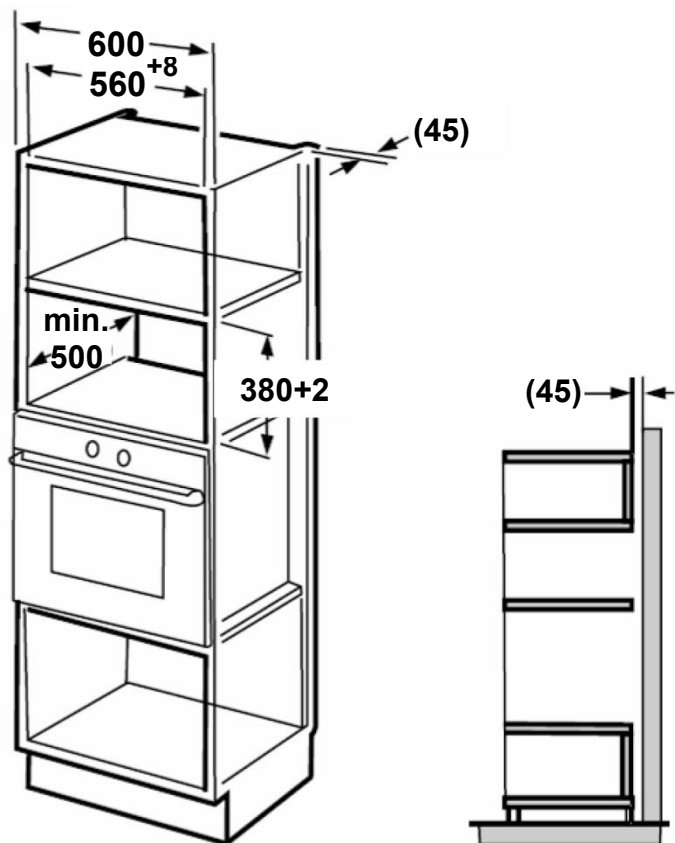
Nepoužívejte pod pracovním povrchem a nevylévejte z nádoby na povrch, kde je spotřebič připevněn.

## A. Požadavky na skříňku

1.



2.



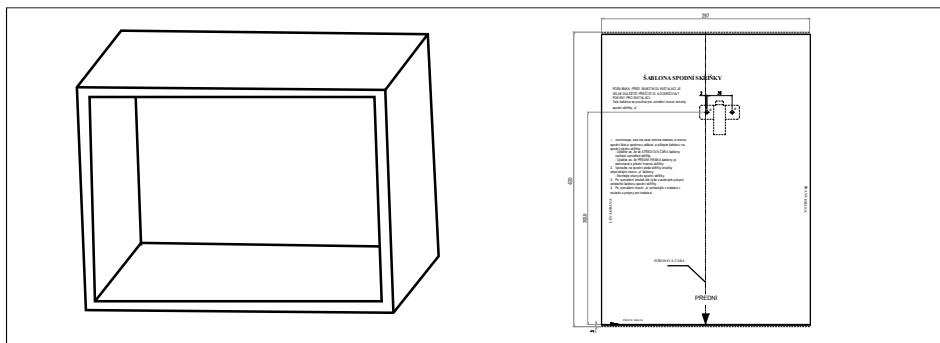
**Poznámka:**

Při instalaci do všech prostor je potřebná konzola a šablona spodní skříňky.

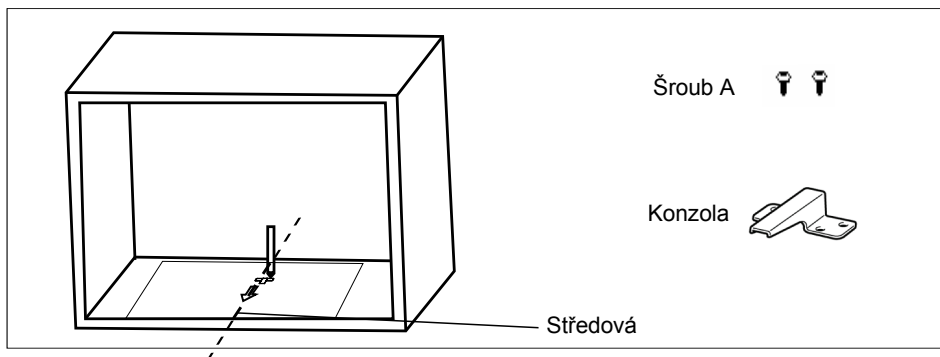


## B. Příprava skříňky

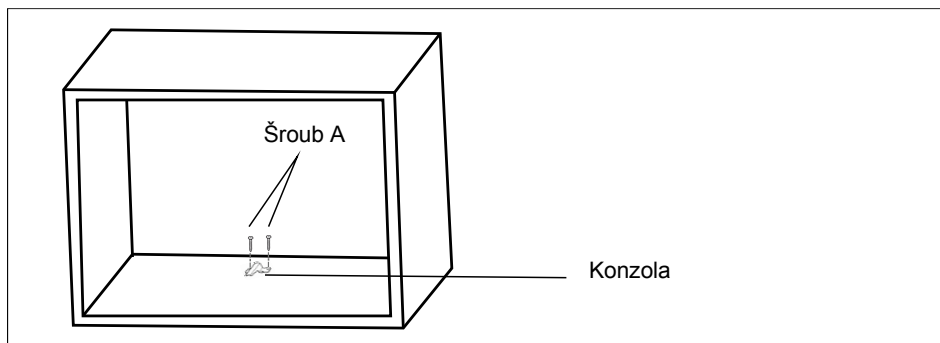
1. Přečtěte si pokyny o ŠABLONĚ SPODNÍ SKŘÍ�의KY a umístěte šablonu na spodní skříňku.



2. Vyznačte na spodní ploše skříňky značky odpovídající značce „a“ šablony.



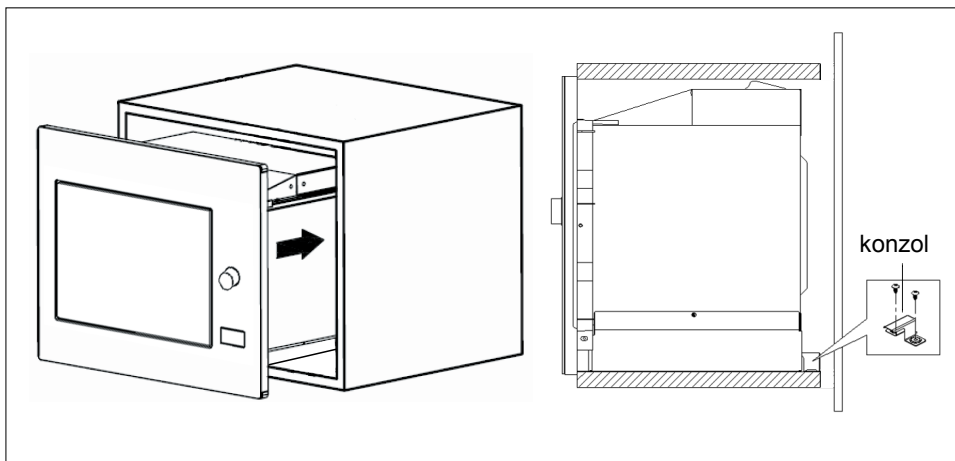
3. Odložte šablonu spodní skříňky a připevněte konzolu šroubem A.



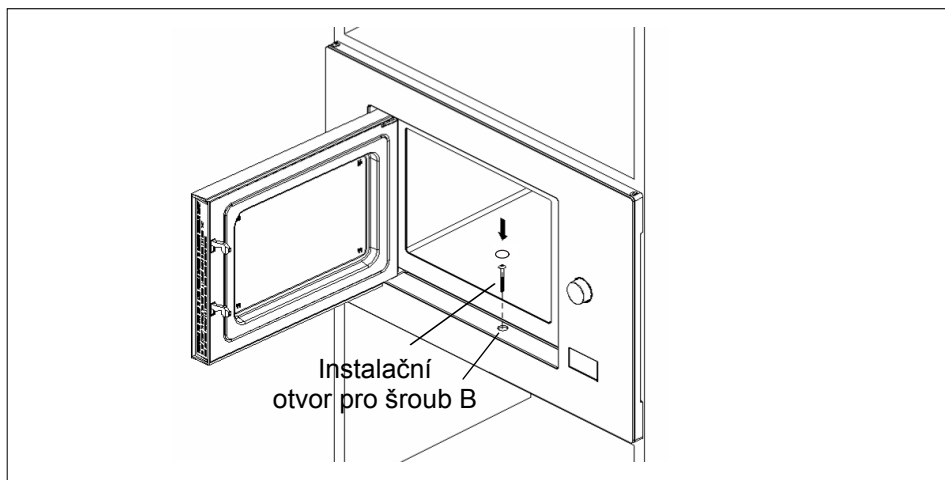
## C. Instalace trouby

### 4. Nainstalujte troubu do skříňky

- Ujistěte se, že zadní strana trouby je zajištěna konzolou.
- Nepřichycujte a neohýbejte napájecí kabel.



### 5. Otevřete dvířka a připevněte troubu ke skříňce šroubem B do instalačního otvoru. Poté připevněte do instalačního otvoru plastovou krytku.




# ČINNOST

## 1. Nastavení hodin

Po zapnutí elektrického napájení mikrovlnné trouby se na displeji zobrazí „0:00“ a ozve se jeden zvuk bzučáku.

1) Dvakrát stiskněte ovládací prvek „**Kitchen Timer/Clock**“ pro volbu funkce hodin; budou blikat čtyři číslice hodin.


---

2) Otáčejte otočným ovladačem „“ pro nastavení hodin; zadaná hodnota musí být v rozsahu 0--23.

---

3) Stiskněte ovládací prvek „**Kitchen Timer/Clock**“; začnou blikat číslice minut.

---

4) Otáčejte otočným ovladačem „“ pro nastavení číslic minut; zadaná hodnota musí být v rozsahu 0--59.

---

5) Pro ukončení nastavování hodin stiskněte ovládací prvek „**Kitchen Timer/Clock**“. Bude blikat „.“ a rozsvítí se čas.


Poznámka: 1) Když nejsou hodiny nastaveny, po zapnutí elektrického napájení nebudou fungovat.

2) Když během postupu nastavování hodin stiskněte „**Stop/Clear**“, trouba se automaticky vrátí do předchozího stavu.

## 2. Příprava jídel v mikrovlnné troubě

Jednou stiskněte ovládací prvek „**Micro./Grill/Combi**“; na displeji se zobrazí nápis

„P100“. Opakovaně stiskněte ovládací prvek „**Micro./Grill/Combi**“ nebo otáčejte

otočným ovladačem „“ pro volbu požadovaného výkonu; na displeji se budou po

každém stlačení postupně zobrazovat nápisy „P 100“, „P 80“, „P 50“, „P 30“, „P 10“,

„G“, „C-1“ nebo „C-2“. Poté stiskněte ovládací prvek „**Start/+30Sec./Confirm**“ pro

potvrzení zvolené hodnoty a otáčejte otočným ovladačem „“ kvůli potvrzení


zvolené hodnoty a otáčejte otočným ovladačem kvůli nastavení doby přípravy od

0:05 do 95:00. Pro zahájení přípravy znovu stiskněte ovládací prvek

„**Start/+30Sec./Confirm**“.

Příklad: Když chcete použít 80% mikrovlnný výkon pro 20minutovou přípravu jídla, můžete nastavit troubu prostřednictvím následujících kroků.

1) Jednou stiskněte ovládací prvek „**Micro./Grill/Combi.**“; na displeji se zobrazí nápis „P100“.

2) Znovu jednou stiskněte ovládací prvek „**Micro./Grill/Combi.**“; nebo otáčejte otočným ovladačem „“ pro volbu 80% mikrovlnného výkonu.

3) Potvrďte volbu stisknutím ovládacího prvku „**Start/+30Sec./Confirm**“; na displeji se zobrazí nápis „P 80“.

4) Otáčejte otočným ovladačem „“ pro nastavení doby přípravy, dokud se na displeji nezobrazí hodnota „20:00“.

5) Pro zahájení přípravy stiskněte ovládací prvek „**Start/+30Sec./Confirm**“.



Poznámka: odpovídající hodnoty kroku při nastavování doby kódovacího spínače jsou následující:

0÷1	min:	5 sekund
1÷5	min:	10 sekund
5÷10	min:	30 sekund
10÷30	min:	1 minuta
30÷95	min:	5 minut

### Ovl. příkaz prostř. Informace zobrazené

„Micro./Grill/Combi.“	na displeji	Mikrovlnný výkon	Grilovací výkon
1	P100	100%	
2	P 80	80%	
3	P 50	50%	
4	P 30	30%	
5	P 10	10%	
6	G	0%	100%
7	C-1	55%	45%
8	C-2	36%	64%


### 3. Příprava s funkcí grilu nebo kombinovaná

Jednou stiskněte ovládací prvek „**Micro./Grill/Combi.**“; na displeji se zobrazí nápis „P100“. Opakovaně stiskněte ovládací prvek „**Micro./Grill/Combi.**“ nebo otáčejte otočným ovladačem „“ pro volbu požadovaného výkonu; na displeji se budou po každém stlačení postupně zobrazovat nápisy „P100“, „P 80“, „P 50“, „P 30“, „P 10“, „G“, „C-1“ nebo „C-2“. Poté stiskněte ovládací prvek „**Start/+30Sec./Confirm**“ pro potvrzení zvolené hodnoty a otáčejte otočným ovladačem „“ pro nastavení doby přípravy od 0:05 do 95:00. Pro zahájení přípravy znovu stiskněte ovládací prvek „**Start/+30Sec /Confirm**“.

Příklad: Když chcete použít 55% mikrovlnný výkon a 45% grilovací výkon (C-1) pro 10minutovou přípravu jídla, můžete nastavit troubu prostřednictvím následujících kroků.

- 1) Jednou stiskněte ovládací prvek „**Micro./Grill/Combi**“; na displeji se zobrazí nápis „P100“.


---

- 2) Jednou stiskněte ovládací prvek „**Micro./Grill/Combi**“; pro volbu dob přípravy nebo otáčejte otočným ovladačem „“ pro volbu kombinované přípravy - režim 1.

---

- 3) Potvrďte volbu stisknutím ovládacího prvku „**Start/+30Sec./Confirm**“; na displeji se zobrazí nápis „C-1“.

---


- 4) Otáčejte otočným ovladačem „“ pro nastavení doby přípravy, dokud se na displeji nezobrazí hodnota „10:00“.

---

- 5) Pro zahájení přípravy stiskněte ovládací prvek „**Start/+30Sec./Confirm**“.

Poznámka: Po uplynutí poloviny grilovací doby se dvakrát ozve zvukový signál trouby; jedná se o běžnou součást její činnosti. Kvůli lepšímu efektu grilování jídla musíte jídlo otočit; poté zavřete dvířka a stiskněte ovládací prvek „**Start/+30Sec./Confirm**“ pro pokračování přípravy. Když nedojde k žádnému zásahu, trouba bude pokračovat v činnosti.


#### 4. Rychlé spuštění

- 1) V pohotovostním stavu stiskněte ovládací prvek „**Start/+30Sec./Confirm**“ pro zahájení 30sekundové přípravy se 100% výkonem; každé další stisknutí zvýší dobu přípravy o 30 sekund, až do 95 minut.
- 2) V režimu mikrovlnné přípravy, grilu, kombinované přípravy nebo rozmrazování každé stisknutí ovládacího prvku „**Start/+30Sec./Confirm**“ může zvýšit dob přípravy o 30 sekund.
- 3) V pohotovostním stavu otočte otočným ovladačem „“ doleva pro nastavení doby přípravy se 100% mikrovlnným výkonem. Pro zahájení samotné přípravy po volbě doby přípravy stiskněte ovládací prvek „**Start/+30Sec./Confirm**“.

#### 5. Rozmrazování podle hmotnosti

- 1) Jednou stiskněte ovládací prvek „**Weight/Time Defros**“; na displeji se zobrazí nápis „dEF1“.

---

- 2) Otáčejte otočným ovladačem „“ pro volbu hmotnosti jídla od 100 do 2 000 g.

---

- 3) Pro zahájení rozmrazování stiskněte ovládací prvek „**Start/+30Sec./Confirm**“.

## 6. Rozmrazování podle času

1) Dvakrát stiskněte ovládací prvek „**Weight/Time Defrost**“; na displeji se zobrazí nápis „dEF2“.

---


2) Otáčením otočného ovladače „“ zvolte dobu rozmrazování. MAX. doba je 95 minut.

---

3) Pro zahájení rozmrazování stiskněte ovládací prvek „**Start/+30Sec./Confirm**“. Rozmrazovací výkon je P 30 a nemůže být měněn.

## 7. Časovač přípravy

1) Jednou stiskněte ovládací prvek „**Kitchen Timer/Clock**“; na displeji se zobrazí hodnota 00:00.

2) Pro nastavení správné doby otáčejte otočným ovladačem „“ (maximální doba přípravy je 95 minut).


3) Pro potvrzení nastavení stiskněte ovládací prvek „**Start/+30Sec./Confirm**“.

4) Po dosažení doby přípravy se pětkrát ozve zvukový signál bzučáku.

Jsou-li nastaveny hodiny (24hodinový systém), zobrazí se na displeji aktuální čas.

Poznámka: Doba přípravy se liší od 24hodinového systému. Časovač přípravy je časovač.


## 8. Nabídka automatického režimu

1) Otáčejte otočným ovladačem „“ doprava pro volbu této nabídky; na displeji se zobrazí nápis „A-1“ až „A-8“.

---

2) Potvrďte volbu stisknutím ovládacího prvku „**Start/+30Sec./Confirm**“.


---

3) Otáčením otočného ovladače „“ zvolte přednastavenou hmotnost pro danou nabídku.

---

4) Pro zahájení přípravy stiskněte ovládací prvek „**Start/+30Sec./Confirm**“.

Příklad: Když chcete použít ovládací prvek „Auto Menu“ pro přípravu ryby s hmotností 350 g,

1) otáčejte otočným ovladačem „“ ve směru hodinových ručiček až do zobrazení nápisu „A-6“.

---

2) Potvrďte volbu stisknutím ovládacího prvku „**Start/+30Sec./Confirm**“.

---

3) Otáčejte otočným ovladačem „“ pro volbu hmotnosti ryby až po zobrazení hodnoty „350“.

---

4) Pro zahájení přípravy stiskněte ovládací prvek „**Start/+30Sec./Confirm**“.

## Tabulka přípravy

Nabídka	Weight	Zobrazená hodnota
A-1 Pizza	200 g	200
	400 g	400
A-2 Maso	250 g	250
	350 g	350
	450 g	450
A-3 Zelenina	200 g	200
	300 g	300
	400 g	400
A-4 Těstoviny	50 g (se 450 g studené vody)	50
	100 g (s 800 g studené vody)	100
A-5 Brambory	200 g	200
	400 g	400
	600 g	600
A-6 Ryba	250 g	250
	350 g	350
	450 g	450
A-7 Nápoj	1 šálek (120 ml)	1
	2 šálky (240 ml)	2
	3 šálky (360 ml)	3
A-8 Pražená kukuřice	50 g	50
	100 g	100


## 9. Vícestupňová příprava

Lze nastavit 2 stupně přípravy. Je-li jednou fází vícestupňové přípravy rozmrazování, musí být automaticky nastaveno jako první fáze.

Příklad: Když rozmrazujete jídlo po dobu 5 minut a poté chce provést jeho přípravu s 80% mikrovlnným výkonem po dobu 7 minut, postupujte následovně:

1) Dvakrát stiskněte ovládací prvek „**Weight/Time Defrost**“; na displeji se zobrazí nápis „dEF2“.


---

2) Otáčením otočného ovladače „“ zvolte dobu rozmrazování, až do zobrazení hodnoty „5:00“.

---

3) Jednou stiskněte ovládací prvek „**Micro./Grill/Combi**“; na displeji se zobrazí nápis „P100“.

---

4) Jednou stiskněte ovládací prvek „**Micro./Grill/Combi**“ nebo otáčením otočného ovladače „“ zvolte 80% mikrovlnný výkon.

---

5) Potvrďte volbu stisknutím ovládacího prvku „**Start/+30Sec./Confirm**“; na displeji se zobrazí nápis „P 80“.

---

6) Otáčejte otočným ovladačem „“ pro nastavení doby přípravy, dokud se na displeji nezobrazí hodnota „7:00“.

---

7) Pro zahájení přípravy stiskněte ovládací prvek „**Start/+30Sec./Confirm**“; ozve se jeden zvukový signál bzučáku pro první stupeň a bude zahájeno odpočítávání doby rozmrazování. Druhý zvukový signál bzučáku se ozve při zahájení druhého stupně přípravy. Po ukončení přípravy se ozve pět zvukových signálů bzučáku.

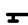
## 10. Informační funkce

1) Ve stavu mikrovlnné přípravy, grilování nebo kombinované přípravy stiskněte ovládací prvek „**Micro./Grill/Combi**“; na 3 sekundy se zobrazí hodnota aktuálního výkonu. Po 3 sekundách se trouba vrátí zpět do výchozího stavu.

2) Ve stavu přípravy stiskněte ovládací prvek „**Kitchen Timer/Clock**“ pro dotázání na dobu přípravy a toto se zobrazí na dobu 3 sekund.



## 11. Funkce dětského zámku

**Zamknutí:** V čekacím stavu stiskněte ovládací prvek „Stop/Clear“ na dobu 3 sekund; ozve se dlouhé pípnutí potvrzující stav zamknutí dětského zámku. Rozsvítí se symbol  a jsou-li nastaveny hodiny pak se na displeji se zobrazí aktuální čas. V opačném případě se na displeji zobrazí „[ : : ]“.

**Odemknutí:** V zamknutém stavu stiskněte ovládací prvek „Stop/Clear“ na dobu 3 sekund; ozve se dlouhé pípnutí potvrzující stav odemknutí zámku.

# NÁVOD NA ŘEŠENÍ PROBLÉMŮ

<b>Běžné jevy</b>	
Mikrovlnná trouba ruší příjem TV signálu	Příjem rádiového a TV signálu může být činností mikrovlnné trouby rušen. Jedná se o podobné rušení jako v případě rušení malými elektrospotřebiči typu mixer, vysavač a elektroventilátor. Jedná se o běžný jev.
Ztlumení osvětlení trouby	Při přípravě v režimu nízkého mikrovlnného výkonu může dojít k ztlumení světla. Jedná se o běžný jev.
Na dvířkách se hromadí pára a z větracích otvorů vychází horký vzduch	Během přípravy může z jídla vycházet pára. Její přebytek bude unikat větracími otvory. Ale její část se může nahromadit na chladném místě, jako například na dvířkách trouby. Jedná se o běžný jev.
Náhodné uvedení trouby do činnosti bez jakéhokoli jídla.	Je zakázáno uvádět troubu do činnosti bez jakéhokoli jídla uvnitř trouby. Jedná se o velmi nebezpečnou situaci.

<b>Problém</b>	<b>Možná příčina</b>	<b>Řešení</b>
Troubu nelze uvést do činnosti.	(1) Zástrčka napájecího kabelu není úplně zasunuta do zásuvky elektrické sítě.	Odpojte ji. Nechte uplynout 10 sekund a poté ji znovu zasuňte do zásuvky.
	(2) Vyhoření pojistky nebo vypnutí jističe.	Vyměňte pojistku nebo zapněte vypnutý jistič (opravu svěřte kvalifikovanému personálu naší společnosti)
	(3) Problém zásuvky elektrické sítě.	Odzkoušejte zásuvku použitím jiných elektrospotřebičů.
Trouba neprovádí ohřev.	(4) Nejsou řádně zavřena dvířka.	Dobře zavřete dvířka.

## LIKVIDACE



Symbol uvedený na výrobku nebo na jeho obalu informuje, že zařízení nesmí být zlikvidováno v rámci běžného domovního odpadu. Likvidací zařízení správným způsobem pomáháte k zabránění škodlivých následků pro zdraví a pro životní prostředí. Podrobnější informace o recyklaci zařízení jsou k dispozici u kompetentního orgánu, místní služby likvidace odpadu nebo u prodejce zařízení.

Vyřazené zařízení zlikvidujte jeho doručením do sběrného střediska pro elektronická a elektrická zařízení.

# ZÁKAZNICKÝ SERVIS

Obracejte se na nás prostřednictvím našich kontaktní adresy nebo na naší internetové stránce: [www.franke.com](http://www.franke.com)

## TECHNICKÉ PARAMETRY

Model:	FMW 20 SMP G XS / FSL 20 MW XS / FSL 20 MW BK
Jmenovité napětí:	230 V~ / 50 Hz
Jmenovitý příkon (mikrovlnná sekce):	1250 W
Jmenovitý výkon (mikrovlnná sekce):	800 W
Jmenovitý příkon (grilovací sekce):	1000 W
Kapacita trouby:	20 l
Průměr otočného talíře:	Ø 245 mm
Vnější rozměry:	595 × 343,5 × 388 mm
Čistá hmotnost:	přibl. 15 kg

### SPOTŘEBA ENERGIE

Informace o spotřebě energie a maximální době do dosažení použitelného režimu nízké spotřeby energie.

---

Pohotovostní režim	0.8 W
--------------------	-------

---

Maximální doba potřebná k tomu, aby mikrovlnná trouba automaticky dosáhla použitelného režimu nebo stavu nízké spotřeby energie.	20 minut
--	----------

---

## INFORMACJE DOTYCZĄCE BEZPIECZEŃSTWA



Przed przystąpieniem do użytkowania kuchenki należy dokładnie zapoznać się z instrukcją obsługi i informacjami dotyczącymi bezpieczeństwa.

Instrukcję obsługi należy zachować na przyszłość.

Producent nie ponosi odpowiedzialności za ewentualne szkody powstałe w wyniku nieprawidłowego montażu oraz niewłaściwego i nierozsądnego użycia urządzenia.

Bezpieczeństwo elektryczne kuchenki mikrofalowej jest zagwarantowane wyłącznie, gdy produkt jest podłączony do systemu uziemienia, zgodnie z obowiązującymi przepisami.

W celu zapewnienia bezpieczeństwa i efektywności pracy urządzenia elektrycznego:

- Należy zgłaszać problemy wyłącznie do autoryzowanych serwisów.
- Nie wolno modyfikować żadnych funkcji i elementów produktu.

Urządzenie może być obsługiwane przez dzieci w wieku powyżej 8 lat oraz przez osoby o ograniczonej sprawności fizycznej, sensorycznej lub umysłowej, a także osoby bez doświadczenia lub odpowiedniej wiedzy, jeśli użytkowanie odbywa się pod nadzorem lub po poinstruowaniu takich osób odnośnie bezpiecznej eksploatacji oraz potencjalnych zagrożeń. Dzieci nie mogą bawić się urządzeniem. Dzieci nie mogą bez nadzoru czyścić ani konserwować urządzenia.

Urządzenie nie jest zabawką.

Nie wolno pozostawiać dzieci bez opieki w pobliżu urządzenia.

Nie wolno pozwalać dzieciom na dotykanie urządzenia i elementów sterujących podczas używania urządzenia i bezpośrednio po tym nim.

**OSTRZEŻENIE:** W celu wyeliminowania ryzyka przypadkowej zmiany nastawy wyłącznika termicznego, urządzenie nie może być zasilane przez zewnętrzne urządzenie przełączające, jak np. licznik czasu, ani nie może być podłączone do obwodu, który jest regularnie włączany i wyłączany przez dostawcę energii elektrycznej.

Należy sprawdzić czy urządzenie zostało zamontowane w sposób umożliwiający odłączenie sieci, przy zachowaniu odległości pomiędzy otwartymi stykami, która pozwala na całkowite odłączenie w warunkach przepięcia kategorii III. Listwy do odłączania urządzeń pobierających prąd muszą być włączone do stałego okablowania zgodnie z zasadami dotyczącymi okablowania.

Należy stosować czujnik temperatury zalecany do tego modelu kuchenki mikrofalowej. Urządzenia nie należy instalować za ozdobnymi drzwiami, aby uniknąć przegrzania.

**OSTRZEŻENIE:** Ryzyko poparzeń!

Podczas użytkowania urządzenie nagrzewa się. Należy unikać dotykania elementów grzejnych znajdujących się wewnątrz kuchenki mikrofalowej. Dzieci w wieku poniżej 8 lat nie mogą znajdować się w pobliżu urządzenia bez stałego nadzoru.

**Ryzyko poparzeń!**

Końcówka uchwytu drzwiczek może być cieplejsza z powodu wydmuchiwanego gorącego powietrza.

Należy zawsze sprawdzić czy pokrętła regulacyjne są w położeniu wyłączone, gdy kuchenka nie jest używana.

**OSTRZEŻENIE:** Przed wymianą lampy należy upewnić się, że urządzenie jest wyłączone, aby uniknąć ryzyka porażenia prądem elektrycznym.

Do czyszczenia szyby drzwiczek kuchenki / szklanych pokryw płyty (stosownie do przypadku) nie wolno używać mocnych substancji ściernych lub ostrych metalowych myjek, ponieważ mogą one porysować powierzchnię i w rezultacie spowodować pęknięcia szyby.

Nie wolno używać myjek parowych ani urządzeń wykorzystujących strumień wody pod ciśnieniem.

Jeśli przewód zasilający jest uszkodzony, jego wymianę należy ze względów bezpieczeństwa zlecić producentowi, autoryzowanemu serwisowi lub innym wykwalifikowanym osobom.

**Ostrzeżenie:** Nie należy podgrzewać napojów ani artykułów żywnościowych w szczelnie zamkniętych opakowaniach, ponieważ może to spowodować eksplozję.

**Ostrzeżenie:** Wykonywanie jakichkolwiek prac konserwacyjnych oraz napraw wymagających demontażu pokryw zabezpieczających przed ekspozycją na mikrofalę przez osoby inne niż upoważnieni serwisanci jest niebezpieczne.

Urządzenie i przewód zasilający należy przechowywać w miejscu niedostępnym dla dzieci w wieku poniżej 8 lat.

Należy używać tylko naczyń przystosowanych do kuchenek mikrofalowych.

Kuchenka musi być regularnie czyszczona. Wszystkie resztki jedzenia należy usuwać.

Podgrzewając artykuły żywnościowe w naczyniach papierowych lub z tworzywa sztucznego należy kontrolować proces grzania ze względu na ryzyko zapalenia.

W razie pojawienia się dymu należy wyłączyć urządzenie lub wyjąć wtyczkę zasilania z gniazda i pozostawić drzwi kuchenki zamknięte w celu zduszenia ognia.

Jaja w skorupkach oraz w ugotowane na twardo nie mogą być podgrzewane w kuchence mikrofalowej, gdyż mogą eksplodować nawet po zakończeniu podgrzewania.

Urządzenie jest przeznaczone do użytku domowego i podobnych zastosowań, np.:

- w kuchniach pracowniczych znajdujących się w sklepach, biurach i innych miejscach pracy;
- przez klientów hoteli, moteli i innych przestrzeni mieszkalnych;
- w gospodarstwach;
- w pensjonatach oferujących zakwaterowanie ze śniadaniem.

Jeśli przewód zasilający jest uszkodzony, jego wymianę należy ze względów bezpieczeństwa zlecić producentowi, autoryzowanemu serwisowi lub innym wykwalifikowanym osobom.

Jeżeli kuchenka nie będzie utrzymywana w czystości, jej powierzchnia może ulec zniszczeniu, co może wpłynąć na

skrócenie okresu przydatności urządzenia do pracy i przyczynić się do powstawania zagrożeń podczas eksploatacji urządzenia.

Po podgrzaniu żywności dla dzieci w butelkach lub słoikach, należy zawartość wymieszać lub wstrząsnąć i sprawdzić temperaturę przed podaniem, aby uniknąć oparzeń.

W przypadku podgrzewania napojów w kuchence mikrofalowej, może wystąpić efekt opóźnionego wrzenia, dlatego należy zachować ostrożność wyjmując pojemnik z kuchenki i przenosząc go.

Podczas użytkowania kuchenki mikrofalowej drzwi ozdobne muszą być otwarte.

Kuchenka mikrofalowa jest przeznaczona do podgrzewania żywności i napojów. Suszenie żywności i ubrań oraz podgrzewanie ogrzewaczy, pantofli, gąbek, wilgotnych ścierek i podobnych rzeczy może powodować ryzyko obrażeń, zapalenia lub pożaru.

**OSTRZEŻENIE:** Jeśli uszczelka drzwi jest uszkodzona, nie można używać kuchenki aż do naprawienia usterki przez wykwalifikowaną osobę.

Urządzenie jest przeznaczone wyłącznie do użytku domowego.

Ta kuchenka mikrofalowa jest przeznaczona do umieszczenia w zabudowie kuchennej. Nie jest przeznaczona do użytkowania na blacie lub wewnątrz szafki.



# W celu zmniejszenia ryzyka obrażeń ciała - uziemienie

## NIEBEZPIECZEŃSTWO

Niebezpieczeństwo porażenia prądem elektrycznym! Dotknięcie niektórych części wewnętrznych urządzenia może powodować poważne obrażenia ciała, a nawet śmierć. Nie demontować urządzenia.

## OSTRZEŻENIE

Niebezpieczeństwo porażenia prądem elektrycznym! Nieprawidłowe uziemienie może spowodować porażenie prądem elektrycznym. Nie wkładać wtyczki do gniazdka zanim urządzenie nie zostanie prawidłowo zainstalowane i uziemione.

Urządzenie musi być uziemione. W razie zwarcia elektrycznego uziemienie zmniejsza zagrożenie porażeniem elektrycznym zapewniając przewód odpływu prądu elektrycznego. Urządzenie jest wyposażone w przewód z uziemieniem oraz odpowiednią wtyczkę. Wtyczkę należy włożyć do prawidłowo zamontowanego gniazdka z uziemieniem.

Jeśli instrukcje dotyczące uziemienia nie są w pełni zrozumiałe lub w razie

wątpliwości czy urządzenie zostało prawidłowo uziemione, należy skonsultować się z wykwalifikowanym elektrykiem lub technikiem serwisowym.

Jeśli jest to konieczne, można użyć przedłużacza, jednak musi to być przedłużacz trójprzewodowy.

1. Urządzenie jest dostarczane z krótkim przewodem zasilania, aby ograniczyć ryzyko zaplątania lub potknięcia się o dłuższy przewód.
2. W razie użycia zestawu z dłuższym przewodem zasilającym lub przedłużacza:
  - 1) Parametry elektryczne długiego przewodu w zestawie lub przewodu przedłużacza powinny być równe lub większe od parametrów elektrycznych przewodu urządzenia.
  - 2) W razie użycia przedłużacza, powinien to być przedłużacz trójprzewodowy z uziemieniem.
  - 3) Długi przewód powinien być podłączony w taki sposób, aby nie zwiisał z blatu lub stołu, gdzie mógłby zostać pociągnięty przez dzieci, albo przypadkowo zahaczony i wyciągnięty.

- Nie przegotowuj nadmiernie potraw.
- Nie wykorzystuj urządzenia do przechowywania.
- Nie przechowuj w kuchence rzeczy takich jak chleb czy ciastka.
- Przed włożeniem do kuchenki pojemników/toreb papierowych lub z tworzywa sztucznego usuń z nich klamry i zapięcia metalowe.
- Kuchenkę należy zainstalować lub umieścić zgodnie z dostarczonymi instrukcjami instalacji.  
Urządzenie nie może być przechowywane ani używane na zewnątrz.
- Nie wolno używać kuchenki mikrofalowej w pobliżu wody, basenu lub w wilgotnych piwnicach.
- Niektóre powierzchnie dostępne dla użytkownika mogą nagrzewać się do wysokiej temperatury podczas pracy urządzenia.
- Powierzchnie urządzenia mogą stać się bardzo gorące podczas użytkowania.
- Przewód zasilania powinien znajdować się z dala od nagrzewających się powierzchni. Nie wolno przykrywać otworów wentylacyjnych kuchenki.
- Przewód nie może zwisać z blatu, na którym stoi.
- Nie wolno używać kuchenki mikrofalowej przy otwartych drzwiczkach, ponieważ grozi to szkodliwą ekspozycją na działanie mikrofal. Bardzo ważne jest, aby nie niszczyć i nie manipulować blokadami zabezpieczającymi.
- Nie wolno umieszczać przedmiotów pomiędzy frontem komory kuchenki a drzwiami. Nie wolno dopuszczać do tego, aby na powierzchniach stykowych pozostawały zabrudzenia lub resztki detergentów.

# CZYSZCZENIE

Przed rozpoczęciem czyszczenia, należy odłączyć kuchenkę mikrofalową od sieci elektrycznej.

1. Po użyciu komorę kuchenki wyczyścić wilgotną szmatką.
2. Akcesoria czyścić w normalny sposób przy użyciu wody z dodatkiem płynu do mycia.
3. Rama drzwi i powierzchnie stykowe oraz sąsiednie elementy powinny być dokładnie czyszczone za pomocą wilgotnej szmatki, zawsze wtedy, gdy są zabrudzone.
4. Nie wolno czyścić szyby w drzwiach kuchenki ściernymi detergentami ani ostrymi, metalowymi myjkami, ponieważ mogą one uszkodzić powierzchnie i spowodować pęknięcie szyby.
5. Wskazówka--Łatwe czyszczenie ścian komory kuchenki, które mogą mieć kontakt z gotowaną żywnością: Wyciśnij sok z połówki cytryny do miski, dolej 300 ml wody i podgrzej przy 100% mocy kuchenki przez 10 minut. Wytrzyj kuchenkę do czysta za pomocą miękkiej, suchej ściereki.

## NACZYNIA

### OSTRZEŻENIE

#### Ryzyko obrażeń ciała

Wykonywanie jakichkolwiek prac konserwacyjnych oraz napraw wymagających demontażu pokryw zabezpieczających przed ekspozycją na mikrofałe przez osoby inne niż upoważnieni serwisanci jest niebezpieczne.

Patrz punkt „Materiały nadające i nienadające się do użycia w kuchenkach mikrofalowych.” Niektórych naczyń, wykonanych z materiałów innych niż metal, nie można bezpiecznie używać do podgrzewania w kuchenke mikrofalowej. W razie wątpliwości należy sprawdzić naczynie wykonując test opisany poniżej.

Test przydatności naczyń do używania w kuchenkach mikrofalowych:

1. Wlej 1 szklankę zimnej wody (250 ml) do pojemnika przeznaczonego do użycia w kuchenkach mikrofalowych i włóż do niego badane naczynie.
2. Gotuj z maksymalną mocą przez 1 minutę.
3. Ostrożnie dotknij naczynia. Jeśli jest gorące, nie używaj go do gotowania w kuchenke mikrofalowej.
4. Gotowanie nie powinno trwać dłużej niż 1 minutę.

## Materiały nadające się do użycia w kuchenkach mikrofalowych

Naczynia	Uwagi
Naczynie do przyrumieniania	Postępuj zgodnie z zaleceniami producenta. Spód naczynia powinien znajdować się co najmniej 5 mm nad talerzem obrotowym. Nieprawidłowe użycie może spowodować pęknięcie talerza obrotowego.
Naczynia stołowe	Tylko jeśli nadają się do kuchenek mikrofalowych. Postępuj zgodnie z zaleceniami producenta. Nie używaj pękniętych i wyszczerbionych naczyń.
Słoiki szklane	Zawsze zdejmuj pokrywkę. Używaj wyłącznie do podgrzewania potraw w taki sposób, aby zawartość była delikatnie ciepła. Większość słoików szklanych nie jest żaroodporna i może pęknąć.
Artykuły ze szkła	Jedynie artykuły żaroodporne przeznaczone do piekarników i kuchenek. Należy sprawdzić, czy nie mają metalowych wykończeń. Nie używaj pękniętych i wyszczerbionych naczyń.
Woreczki do gotowania w piekarnikach i kuchenkach	Postępuj zgodnie z zaleceniami producenta. Nie używaj metalowych zamknięć. Nakłuj, aby umożliwić wydostawanie się pary.
Talerze i kubki z kartonu	Używaj wyłącznie do krótkotrwałego gotowania/podgrzewania. Nie pozostawiaj bez nadzoru podczas gotowania w kuchence.
Ręczniki papierowe	Używaj do przykrywania ponownie odgrzewanych potraw i wchłaniania tłuszczu. Nie pozostawiaj bez nadzoru, używaj wyłącznie do krótkotrwałego gotowania.
Papier pergaminowy	Używaj do przykrywania potraw, aby zapobiec ich rozpryskiwaniu się lub owijaj nim żywność podczas gotowania na parze.
Tworzywa sztuczne	Tylko jeśli nadają się do kuchenek mikrofalowych. Postępuj zgodnie z zaleceniami producenta. Muszą posiadać etykietę „Można stosować w kuchenkach mikrofalowych“. Niektóre plastikowe pojemniki mięknią, gdy znajdująca się w nich potrawa się nagrzeje. W woreczkach do gotowania i woreczkach plastikowych ze szczelnym zamknięciem należy wykonać otwory, nacięcia lub nakłucia zgodnie z instrukcją na opakowaniu.
Folia spożywcza	Tylko jeśli nadają się do kuchenek mikrofalowych. Używaj do przykrywania potraw, aby zapobiec utracie wilgotności podczas gotowania. Upewnij się, że folia plastikowa nie styka się z potrawą.
Termometry	Tylko jeśli nadają się do kuchenek mikrofalowych (termometry do mięsa i cukru).
Papier do pieczenia	Używaj do przykrywania potraw, aby zapobiec ich rozpryskiwaniu i utracie wilgotności.

## Materiały nienadające się do użycia w kuchenkach mikrofalowych

Naczynia	Uwagi
Tacki aluminiowe	Może powodować powstawanie łuku elektrycznego. Przenieś potrawę na talerz nadający się do gotowania w kuchenke mikrofalowej.
Karton spożywczy z metalowym uchwytem	Może powodować powstawanie łuku elektrycznego. Przenieś potrawę na talerz nadający się do gotowania w kuchenke mikrofalowej.
Naczynia metalowe lub z metalowym wykończeniem	Metal ostania potrawę przed mikrofalami. Metalowe wykończenia mogą powodować powstawanie łuku elektrycznego.
Metalowe zamknięcia	Mogą powodować powstawanie łuku elektrycznego, a w konsekwencji wywołać pożar w kuchenke.
Torebki papierowe	Mogą wywołać pożar w kuchenke.
Styropian	W wysokich temperaturach styropian może się stopić lub zanieczyścić znajdujący się w nim płyn.
Drewno	Po użyciu w kuchenke mikrofalowej drewno może się rozeschnąć i pękać.

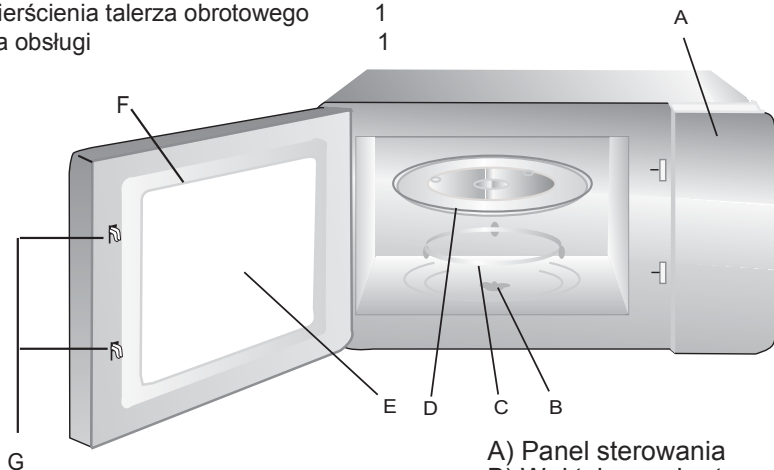
# SCHEMAT I ELEMENTY URZĄDZENIA

## Nazwy elementów kuchenki i akcesoriów

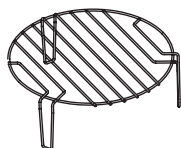
Wymij kuchenkę i wszystkie materiały z kartonu. Wymij wszystko z komory kuchenki.

Kuchenka jest dostarczana w komplecie z następującymi akcesoriami:

Szklany talerz obrotowy	1
Zespół pierścienia talerza obrotowego	1
Instrukcja obsługi	1



G



Ruszt grilla (Używany wyłącznie do funkcji grilla, ustawiany na szklanym talerzu obrotowym)

- A) Panel sterowania
- B) Wał talerza obrotowego
- C) Zespół pierścienia talerza obrotowego
- D) Szklany talerz obrotowy
- E) Okienko kontrolne
- F) Zespół drzwi
- G) System blokady bezpieczeństwa

## Instalacja talerza obrotowego

Tarcza (od spodu)

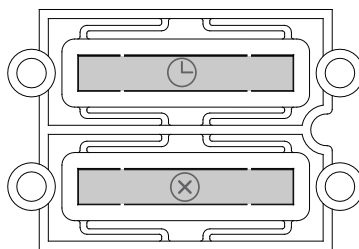
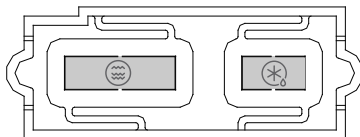
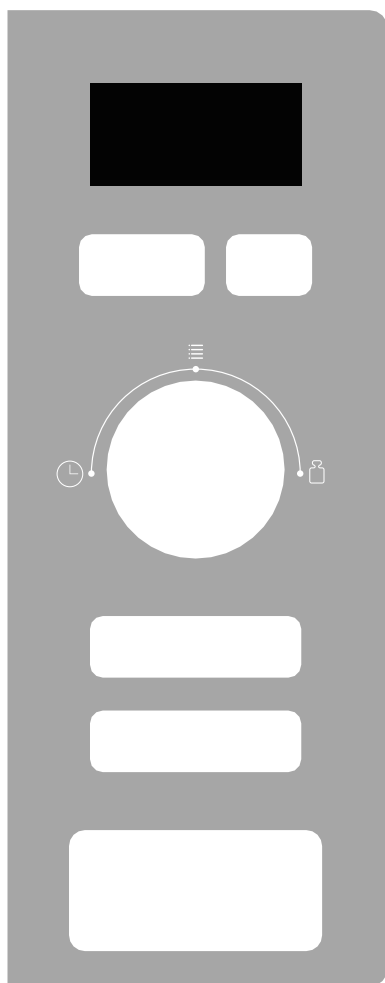
Szklany talerz obrotowy

Wał talerza obrotowego






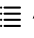


Zespół pierścienia talerza obrotowego

- a. Nigdy nie kładź talerza obrotowego odwrotną stroną. Ruch talerza obrotowego nie może być utrudniony.
- b. Podczas gotowania zawsze używaj zarówno talerza obrotowego, jak i zespołu pierścienia talerza obrotowego.
- c. Żywność oraz pojemniki na potrawy zawsze układaj na talerzu obrotowym.
- d. Jeśli talerz do gotowania lub zespół pierścienia talerza obrotowego pękną lub połamią się, należy skontaktować się z najbliższym autoryzowanym serwisem.

# Panel sterowania



## Instrukcja obsługi:

	Micro./ Grill/Combi.		Weight/Time Defrost
	Kitchen Timer/ Clock		Stop/Clear
	Start/ +30Sec./Confirm		Auto Menu
	Time		Weight

# MONTAŻ

1. Urządzenie powinno być instalowane szafce ściiennej o szerokości 60 cm.
2. Urządzenie jest wyposażone w przewód zasilający z wtyczką Schuko lub przewód trójpolowy z wolnymi zaciskami.
3. Urządzenie należy podłączyć do prawidłowo zainstalowanego gniazdka z uziemieniem.
4. Napięcie sieciowe powinno odpowiadać napięciu określoneemu na tabliczce znamionowej urządzenia.
5. Instalacja gniazdka i wymiana przewodu zasilającego powinny być zlecane wyłącznie wykwalifikowanemu elektrykowi. Jeśli wtyczka po zainstalowaniu nie będzie dostępna, należy przewidzieć wielobiegunowy wyłącznik gwarantujący rozwarcie styków na co najmniej 3 mm od strony instalacji urządzenia.
6. Zabrania się stosowania adapterów, rozgałęziaczy oraz przedłużaczy. Ewentualne przepięcia prądu mogą wywołać pożar.

**Dostępna dla użytkownika powierzchnia może nagrzać się do wysokiej temperatury podczas pracy urządzenia.**





# Instrukcje dotyczące montażu

Przed przystąpieniem do montażu należy dokładnie zapoznać się z instrukcjami

## Uwaga

### Podłączanie do sieci elektrycznej

Szafka, w której montowana jest kuchenka, nie może mieć tylnej ścianki za urządzeniem.

Pomiędzy ścianą a podstawą jednostki należy pozostawić odstęp.

Szczegółowe informacje dotyczące odstępów, jakie należy zachować podano na schematach.

Minimalna wysokość montażu: 85 cm.

Nie wolno przykrywać otworów wlotowych i wylotowych.

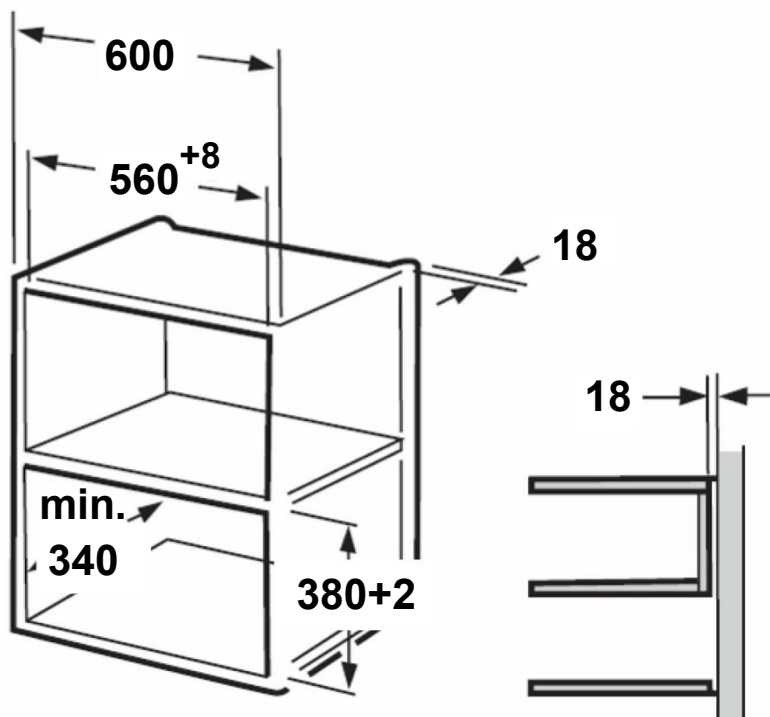
### Uwaga:

Nie wolno przyciskać i zginać przewodu zasilania.

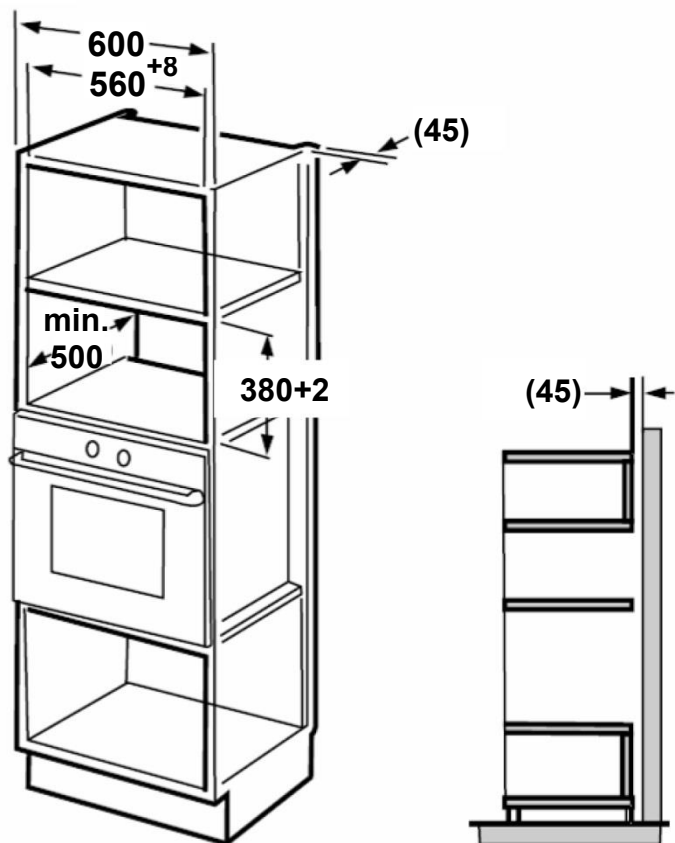
Nie używać pod powierzchnią roboczą i nie wylewać z pojemnika na powierzchnię, do której przymocowane jest urządzenie.

## A. Wymiary szafki

1.



2.

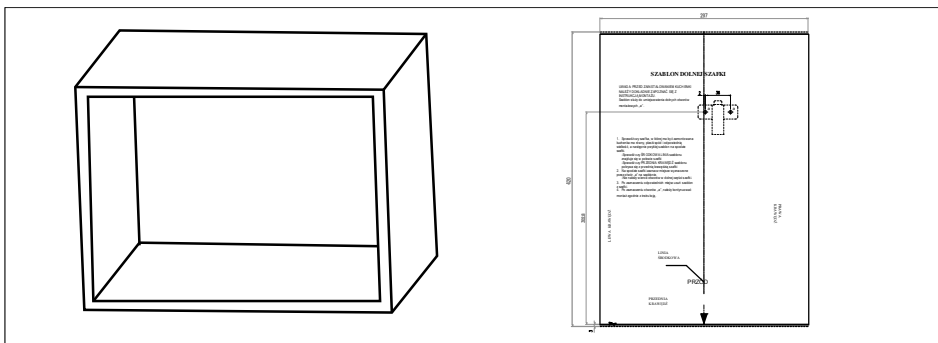


**Uwaga:**

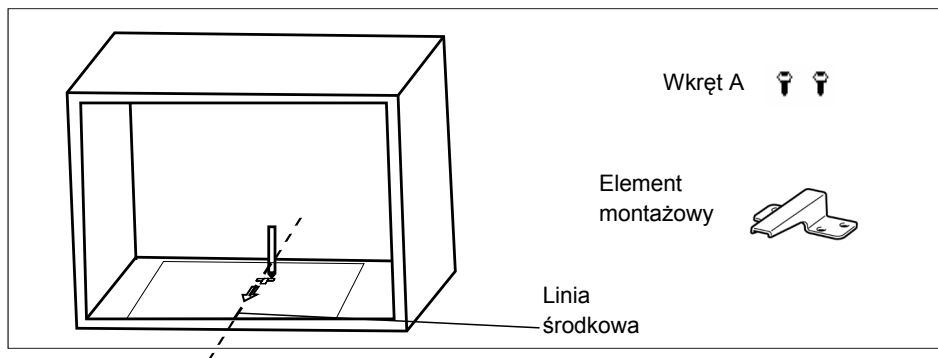
Do montażu potrzebne są elementy montażowe i szablon dolnej szafki.

## B. Przygotowanie szafki

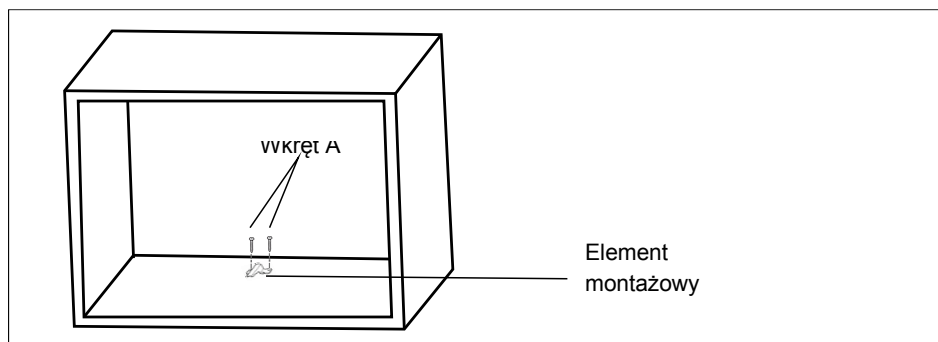
1. Zapoznaj się z instrukcjami na SZABLONIE DOLNEJ SZAFKI, a następnie umieść szablon na spodzie szafki.



2. Na spodzie szafki zaznacz miejsca wyznaczone przez otwory „a” na szablonie.

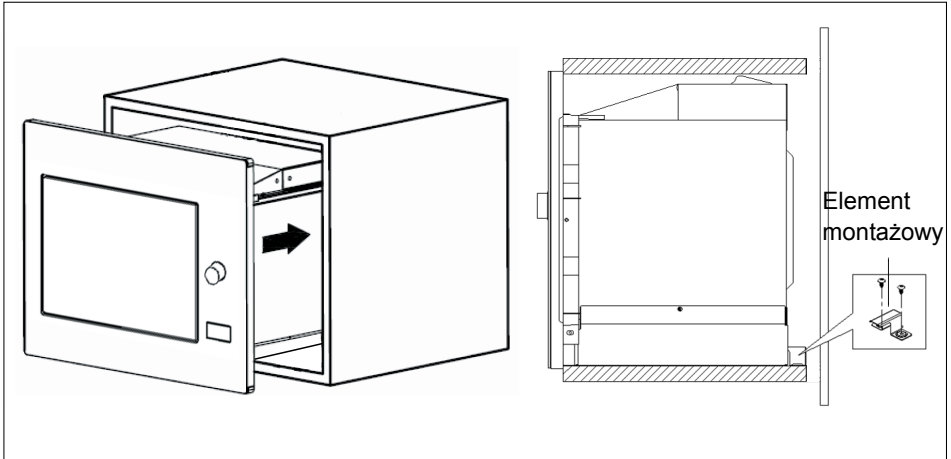


3. Zdejmij szablon ze spodu szafki i zamocuj element montażowy za pomocą wkrętu A.

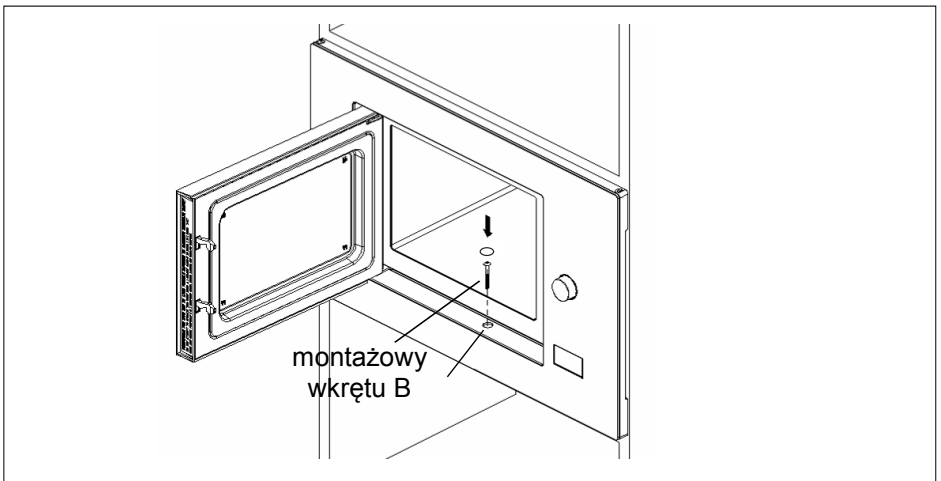


## C. Montaż kuchenki

- Umieść kuchenkę mikrofalową wewnątrz szafki.
  - Sprawdź czy tylna część kuchenki jest przymocowana elementem montażowym.
  - Nie wolno przyciskać ani zginać przewodu zasilania.



- Otwórz drzwi i zamocuj kuchenkę do szafki za pomocą wkrętu B w otworze montażowym. Następnie zamocuj plastikową osłonę w otworze montażowym.




# DZIAŁANIE

## 1. Ustawianie zegara

Gdy kuchenka mikrofalowa zostanie podłączona do zasilania, na wyświetlaczu pojawi się komunikat „0:00”, a brzęczyk wyemituje sygnał dźwiękowy.

1) Dwa razy naciśnij przycisk „**Kitchen Timer/Clock**”, aby wybrać funkcję ustawiania zegara. Cyfry godzinowe na zegarze zaczną migać.


---

2) Naciśnij jeden z przycisków „”, aby ustawić godzinę. Wpisane cyfry muszą mieścić się w przedziale 0–23.

---

3) Jeden raz naciśnij przycisk „**Kitchen Timer/Clock**”, aby potwierdzić. Cyfry minutowe na zegarze zaczną migać.

---

4) Naciśnij jeden z przycisków „”, aby ustawić godzinę. Wpisane cyfry muszą mieścić się w przedziale 0–59.

---



5) Jeden raz naciśnij przycisk „**Kitchen Timer/Clock**”, aby zakończyć ustawianie zegara. Zaczyna migać „:” i podświetla się godzina.

Uwaga: 1) Jeśli zegar nie został ustawiony, godzina się nie wyświetla.

2) Podczas procedury ustawiania zegara, po naciśnięciu przycisku „**Stop/Clear**”, kuchenka automatycznie powraca do stanu poprzedniego.

## 2. Gotowanie w kuchenke mikrofalowej

Naciśnij przycisk „**Micro./Grill/Combi.**” Na wyświetlaczu pojawi się komunikat „P100”.

Naciśnij przycisk „**Micro./Grill/Combi.**” kilkakrotnie lub przekręć „”, aby wybrać żądaną moc. Po każdym naciśnięciu przycisku po kolei wyświetlają się „P100”, „P 80”, „P 50”, „P 30”, „P 10”, „G”, „C-1” lub „C-2”. Naciśnij „**Start/+30Sec./Confirm**”, aby potwierdzić i przekręć „”, aby ustawić czas gotowania od 0:05 do 95:00. Naciśnij ponownie „**Start/+30Sec./Confirm**”, aby rozpocząć gotowanie.

Przykład: Aby wykorzystać 80% mocy kuchenki mikrofalowej i ugotować dane danie w 20 minut, należy uruchomić kuchenkę w sposób opisany poniżej.


1) Jeden raz naciśnij przycisk „**Micro./Grill/Combi.**” Na wyświetlaczu pojawi się komunikat „P100”.

---

2) Kolejny raz naciśnij przycisk „**Micro./Grill/Combi.**” lub przekręć „”, aby wybrać 80% mocy kuchenki mikrofalowej.

---

3) Naciśnij przycisk „**Start/+30Sec./Confirm**”, aby potwierdzić. Na wyświetlaczu pojawi się komunikat „P 80”.

4) Przekręć „”, aby ustawić czasy gotowania w taki sposób, aż na wyświetlaczu kuchenki pojawi się komunikat „20:00”.

5) Naciśnij przycisk „**Start/+30Sec./Confirm**”, aby rozpocząć gotowanie.



Uwaga: czas gotowania można zwiększyć stopniowo za pomocą przełącznika kodującego w następujący sposób:

- 0---1 min : 5 sekund
- 1---5 min : 10 sekund
- 5---10 min : 30 sekund
- 10---30 min : 1 minuta
- 30---95 min : 5 minut

#### „Micro./Grill/Combi.” Instrukcje dotyczące przycisków

Polecenie	Wyświetlacz	Moc mikrofal	Moc grilla
1	P100	100%	
2	P 80	80%	
3	P 50	50%	
4	P 30	30%	
5	P 10	10%	
6	G	0%	100%
7	C-1	55%	45%
8	C-2	36%	64%


### 3. Gotowanie Grill lub Combi.

Jeden raz naciśnij przycisk „**Micro./Grill/Combi.**”. Na wyświetlaczu pojawi się komunikat „P100”. Następnie naciśnij kilka razy przycisk „**Micro./Grill/Combi.**” lub przekręć „”, aby wybrać żądaną moc. Po każdym kolejnym naciśnięciu przycisku na wyświetlaczu pojawiają się komunikaty „P100”, „P 80”, „P 50”, „P 30”, „P 10”, „G”, „C-1” lub „C-2”. Naciśnij „**Start/+30Sec./Confirm**” (Start/+30 s./Potwierdź), aby potwierdzić i przekręć „”, aby ustawić czas gotowania w zakresie od 0:05 do 95:00. Ponownie naciśnij „**Start/+30Sec./Confirm**”, aby rozpocząć gotowanie.

Przykład: Aby wykorzystać 55% mocy kuchenki mikrofalowej i 45% mocy grilla (C-1) do ugotowania dania w 10 minut, należy uruchomić kuchenkę w sposób opisany poniżej.

- 1) Jeden raz naciśnij przycisk „**Micro./Grill/Combi**”. Na wyświetlaczu pojawi się komunikat " P100 ".


---

- 2) Naciśnij przycisk „**Micro./Grill/Combi**” lub przekręć „”, aby wybrać funkcję combi. 1.

---

- 3) Naciśnij przycisk „**Start/+30Sec./Confirm**”, aby potwierdzić. Na wyświetlaczu pojawi się komunikat „C -1”.

---


- 4) Przekręć „”, aby ustawić czasy gotowania w taki sposób, aż na wyświetlaczu kuchenki pojawi się komunikat „10:00”.

---

- 5) Naciśnij przycisk „**Start/+30Sec./Confirm**”, aby rozpocząć gotowanie.

Uwaga: Gdy kuchenka osiągnie połowę przewidzianego czasu gotowania z grillem, dwa razy rozlegnie się sygnał dźwiękowy. Jest to normalne. Aby uzyskać optymalny wynik przy gotowaniu z grillem, w połowie procesu gotowania można obrócić potrawę na drugą stronę, zamknąć drzwi kuchenki i ponownie nacisnąć przycisk „**Start/+30sec./Confirm**”, aby wznowić gotowanie. W przeciwnym razie proces gotowania będzie kontynuowany, aż do upływu ustawionego czasu.


#### 4. Szybkie uruchomienie

- 1) W stanie oczekiwania, naciśnij przycisk „**Start/+30Sec./Confirm**”, aby rozpocząć gotowanie z mocą 100%. Po każdym kolejnym naciśnięciu przycisku czas gotowania wydłuża się o 30 sekund, aż do osiągnięcia maksymalnego czasu 95 minut.
- 2) Przy gotowaniu w mikrofalach, z grillem, w funkcji połączonej lub przy rozmrażaniu, każde naciśnięcie przycisku „**Start/+30Sec./Confirm**” wydłuża czas gotowania o 30 sekund.
- 3) W stanie oczekiwania, przekręć „” w lewo, aby ustawić czas gotowania z mocą 100%. Po wybraniu czasu gotowania, naciśnij przycisk „**Start/+30Sec./Confirm**”, aby rozpocząć gotowanie.

#### 5. Rozmrażanie w zależności od wagi

- 1) Jeden raz naciśnij przycisk „**Weight/Time Defrost**”. Na wyświetlaczu pojawi się „DEF1”.

---

- 2) Przekręć „”, aby wybrać wagę danej potrawy w zakresie od 100 do 2000 g.


---

- 3) Naciśnij przycisk „**Start/+30Sec./Confirm**”, aby rozpocząć rozmrażanie.

## 6. Rozmrażanie na podstawie czasu

1) Jeden raz naciśnij przycisk „**Weight/Time Defrost**”. Na wyświetlaczu pojawi się „dEF2”.

---


2) Przekręć „”, aby wybrać czas rozmrażania. Maksymalny czas rozmrażania wynosi 95 minut.

---

3) Naciśnij przycisk „**Start/+30Sec./Confirm**”, aby rozpocząć rozmrażanie. Moc rozmrażania to P 30 — nie można zmieniać tej wartości.

## 7. Minutnik

1) Jeden raz naciśnij przycisk „**Kitchen Timer/Clock**”. Na wyświetlaczu pojawia się 00:00.


2) Przekręć „”, aby wprowadzić żądany czas. (Maksymalny czas gotowania wynosi 95 minut.)

3) Naciśnij przycisk „**Start/+30Sec./Confirm**”, aby potwierdzić ustawienia.

4) Po upływie ustawionego czasu brzęczyk pięciokrotnie wyda sygnał dźwiękowy.  
Jeśli zegar jest ustawiony (system 24-godzinny), na wyświetlaczu pojawia się bieżąca godzina.

Uwaga: Czas jest wyświetlany przez minutnik w formacie innym niż 24-godzinny format wyświetlania czasu. Minutnik kuchenki działa jak typowy minutnik.


## 8. Menu automatyczne

1) Przekręć „” w prawo, aby wybrać menu. Po każdym naciśnięciu będą pojawiać się po kolei komunikaty od „A-1” do „A-8”.

---

2) Naciśnij przycisk „**Start/+30Sec./Confirm**”, aby potwierdzić.


---

3) Przekręć „”, aby wybrać wagę zdefiniowaną na podstawie tabeli menu.

---

4) Naciśnij przycisk „**Start/+30Sec./Confirm**”, aby rozpocząć gotowanie.


Przykład: Aby skorzystać z opcji „Auto Menu” i ugotować 350 g ryby:

1) Przekręć „” w prawo aż pojawi się komunikat „A-6”.

---

2) Naciśnij przycisk „**Start/+30Sec./Confirm**”, aby potwierdzić.

---

3) Przekręć „”, aby wybrać wagę ryby. Na wyświetlaczu powinno pojawić się „350”.

---

4) Naciśnij przycisk „**Start/+30Sec./Confirm**”, aby rozpocząć gotowanie.



Tabela gotowania

Menu	Waga	Wyświetlacz
A-1 Pizza	200 g	200
	400 g	400
A-2 Mięso	250 g	250
	350 g	350
	450 g	450
A-3 Warzywa	200 g	200
	300 g	300
	400 g	400
A-4 Makaron	50 g (z 450 g zimnej wody)	50
	100 g (z 800 g zimnej wody)	100
A-5 Ziemniaki	200 g	200
	400 g	400
	600 g	600
A-6 Ryby	250 g	250
	350 g	350
	450 g	450
A-7 Napoje	1 filiżanka (120 ml)	1
	2 filiżanki (240 ml)	2
	3 filiżanki (360 ml)	3
A-8 Popcorn	50 g	50
	100 g	100


## 9. Gotowanie wieloetapowe

Można ustawić maksymalnie dwa etapy gotowania. Jeśli gotowanie wieloetapowe obejmuje rozmrażanie, ten etap będzie realizowany jako pierwszy.

Przykład: Aby rozmrozić dany artykuł spożywczy w ciągu 5 minut, a następnie przystąpić do gotowania w kuchence mikrofalowej z mocą 80% przez 7 minut, należy postępować zgodnie z poniższymi instrukcjami:

1) Jeden raz naciśnij przycisk „**Weight/Time Defrost**”. Na wyświetlaczu pojawi się „dEF2”.


---

2) Przekręć „”, aby wybrać czas rozmrażania. Na wyświetlaczu powinno pojawić się „5:00”.

---

3) Jeden raz naciśnij przycisk „**Micro./Grill/Combi**”. Na wyświetlaczu pojawi się komunikat „P100”.


---

4) Ponownie naciśnij przycisk „**Micro./Grill/Combi**” lub przekręć „”, aby wybrać 80% mocy kuchenki mikrofalowej.

---

5) Naciśnij przycisk „**Start/+30Sec./Confirm**”, aby potwierdzić. Na wyświetlaczu pojawi się komunikat „P 80”.

---

6) Przekręć „”, aby ustawić czasy gotowania w taki sposób, aż na wyświetlaczu kuchenki pojawi się komunikat „7:00”.

---


7) Po naciśnięciu przycisku „**Start/+30Sec./Confirm**” rozpoczyna się gotowanie. Brzęczyk wyemituje pojedynczy sygnał dźwiękowy dla pierwszego etapu, aby poinformować o rozpoczęciu odliczania czasu rozmrażania. Brzęczyk wyemituje drugi sygnał dźwiękowy, gdy rozpocznie się drugi etap gotowania. Po zakończeniu gotowania brzęczyk wyemituje pięć sygnałów dźwiękowych.

## 10. Sprawdzanie bieżących ustawień

1) Podczas gotowania w mikrofalach, gotowania z grillem oraz gotowania combi, po naciśnięciu przycisku „**Micro./Grill/Combi**” przez 3 sekundy, wyświetlana jest aktualna moc kuchenki. Po 3 sekundach kuchenka powraca do poprzedniego stanu.

2) Podczas gotowania, po naciśnięciu przycisku „**Kitchen Timer/Clock**” przez 3 sekundy, wyświetla się bieżąca godzina.

## 11. Blokada przycisków

Włączenie blokady: W stanie oczekiwania, naciśnij przycisk „Stop/Clear” i przytrzymaj przez 3 sekundy. Rozlegnie się długi sygnał dźwiękowy, który informuje o włączeniu trybu blokady przycisków.  W tym momencie wyświetli się również aktualna godzina, jeśli została ustawiona. W przeciwnym razie na wyświetlaczu pojawi się „[ - - ]”.

Wyłączanie blokady: Gdy blokada przycisków jest włączona, naciśnij przycisk „Stop/Clear” i przytrzymaj przez 3 sekundy. Rozlegnie się długi sygnał dźwiękowy, który informuje o wyłączeniu blokady.

## INSTRUKCJA ROZWIĄZYWANIA PROBLEMÓW

<b>Zjawiska normalne</b>	
Zakłócanie odbioru telewizji przez kuchenkę mikrofalową	Odbiór optymalnego sygnału radiowego i telewizyjnego może być zakłócony podczas działania kuchenki mikrofalowej. Zakłócenia są podobne do tych powodowanych przez niewielkie urządzenia AGD, np. mikser kuchenny, odkurzacz czy wentylator. Jest to zjawisko całkowicie normalne.
Przygasające światło kuchenki	Podczas gotowania w mikrofalach o niskiej mocy, oświetlenie kuchenki może przygasać. Jest to zjawisko całkowicie normalne.
Gromadzenie się pary na drzwiach, wychodzenie gorącego powietrza przez otwory odpowietrzające	Podczas gotowania z potraw może wychodzić para. Wydostaje się z kuchenki w szczególności przez otwory wentylacyjne. Część pary może również skraplać się na drzwiach kuchenki. Jest to zjawisko całkowicie normalne.
Przypadkowe włączenie kuchenki bez żadnej potrawy w środku	Nie wolno włączać kuchenki bez wcześniejszego włożenia do niej potrawy. Jest to bardzo niebezpieczne.

<b>Nieprawidłowe działanie</b>	<b>Możliwa przyczyna</b>	<b>Rozwiązanie</b>
Nie można włączyć kuchenki	(1) Wtyczka przewodu zasilającego nie jest prawidłowo włożona do gniazdka.	Wyciągnij wtyczkę. Po 10 sekundach ponownie włóż wtyczkę do gniazdka.
	(2) Przepalony bezpiecznik lub aktywny wyłącznik ochronny	Należy wymienić bezpiecznik lub ustawić wyłącznik ochronny (naprawy powinien wykonać wykwalifikowany pracownik naszej firmy)
	(3) Problem z gniazdkiem	Sprawdź gniazdko przy pomocy innych urządzeń elektrycznych.
Kuchenka nie podgrzewa	(4) Drzwi nie są prawidłowo zamknięte.	Zamknij drzwi prawidłowo.



### WYCOFYWANIE Z EKSPLOATACJI

Symbol na produkcie lub opakowaniu informuje, że urządzenia nie wolno usuwać wraz z innymi odpadami komunalnymi. Utylizując urządzenie w sposób prawidłowy pomagasz uniknąć szkodliwych konsekwencji dla środowiska i zdrowia.

Szczegółowe informacje na temat recyklingu urządzenia można uzyskać od stosownych organów władzy, lokalnych przedsiębiorstw świadczących usługi usuwania odpadów lub dostawcy produktu.

Urządzenie przeznaczone do utylizacji należy oddać do punktu zbiórki odpadów elektronicznych i elektrycznych.

# OBSŁUGA KLIENTA

Adres kontaktowy podano na stronie: [www.franke.com](http://www.franke.com)

## DANE TECHNICZNE

Model:	FMW 20 SMP G XS / FSL 20 MW XS / FSL 20 MW BK
Napięcie znamionowe:	230V~50Hz
Znamionowe pobierane napięcie wejściowe (mikrofałe):	1250W
Znamionowa moc wyjściowa (mikrofałe):	800W
Znamionowe pobierane napięcie wejściowe (grill):	1000W
Pojemność kuchenki:	20l
Średnica talerza obrotowego:	Ø245mm
Wymiary zewnętrzne:	595x343.5x388mm
Ciężar netto:	Ok. 15 kg

## ZUŻYCIE ENERGII

Informacje o produkcie dotyczące zużycia energii i maksymalnego czasu osiągnięcia odpowiedniego trybu niskiego zużycia energii.

---

Tryb gotowości	0.8 W
----------------	-------

---

Maksymalny czas potrzebny do automatycznego przejścia kuchenki mikrofalowej w odpowiedni tryb lub stan niskiego poboru mocy.	20 minut
--	----------

---

Pred použitím rúry si dôkladne prečítajte bezpečnostné informácie.

Návod si uschovajte pre budúce použitie.

Výrobca nemôže niesť zodpovednosť za prípadné škody, ktoré môžu vzniknúť v dôsledku nesprávnej inštalácie a nesprávneho, nevhodného alebo nerozvážneho použitia zariadenia.

Elektrická bezpečnosť rúry je zaručená len vtedy, keď je pripojená k uzemňovaciemu systému v súlade s platnými predpismi.

Na zaistenie bezpečnej a efektívnej prevádzky tohto elektrického zariadenia:

- Kontaktujte iba autorizované servisné strediská.
- Neupravujte žiadne parametre zariadenia.

Tento spotrebič smú používať deti vo veku od 8 rokov a osoby s obmedzenými fyzickými, zmyslovými alebo rozumovými schopnosťami, alebo osoby s nedostatkom skúseností a poznatkov, ak sú pod dohľadom, alebo boli poučené o používaní spotrebiča bezpečným spôsobom a chápu hroziace nebezpečenstvo. Deti sa so spotrebičom nesmú hrať. Čistenie a používateľskú údržbu nesmú vykonávať deti bez dozoru.

Toto zariadenie nie je hračka.

Nenechávajte deti v blízkosti zariadenia bez dozoru.

Nenechávajte deti dotýkať sa zariadenia alebo jeho ovládačov počas alebo bezprostredne po jeho použití.

**UPOZORNENIE:** S cieľom zabrániť nebezpečenstvu v dôsledku neúmyselného vynulovania tepelného vypínača nesmie byť tento spotrebič napájaný cez externé spínacie zariadenie, ako je napríklad časovač, alebo pripojený k okruhu, ktorý je pravidelne spínaný a vypínaný obsluhou.

Zabezpečte, aby bolo zariadenie nainštalované spôsobom, ktorý umožňuje odpojiť ho od elektrického napájania vypínačom so vzdialenosťou medzi kontaktmi (mm), ktorá zabezpečuje úplné odpojenie v podmienkach prepätia kategórie III. Prostriedky na odpojenie musia byť zabudované v pevnej inštalácii v súlade s predpismi pre elektroinštalácie.

Používajte iba teplotnú sondu odporúčanú pre túto rúru. Spotrebič nesmie byť nainštalovaný za dekoratívnymi dvierkami, aby nedošlo k prehriatiu.

**UPOZORNENIE:** Nebezpečenstvo popálenia!

V priebehu používania sa zariadenie zahrieva. Dávajte pozor, aby ste sa nedotkli ohrevných článkov vnútri pece. Nedovoľte, aby sa deti mladšie ako 8 rokov priblížili k spotrebiču, ak nie sú nepretržite pod dozorom.

**Nebezpečenstvo popálenia!**

Koniec kľučky dverí môže byť horúcejší v dôsledku ventilovaného horúceho vzduchu.

Keď sa rúra nepoužíva, vždy sa uistite, že ovládacie gombíky sú vo vypnutej polohe.

**UPOZORNENIE:** Pred výmenou svietidla sa uistite, že spotrebič je vypnutý, aby ste predišli úrazu elektrickým prúdom.

Nepoužívajte agresívne čistiace prostriedky alebo ostré kovové škrabky na čistenie skla dvierok rúry/skla výklopných viečok varnej dosky (podľa potreby), pretože môžu poškriabať povrch, čo môže viesť k rozbitiu skla.  
Nepoužívajte parné čističe ani priame prúdy vody.

Ak je prírodná šnúra poškodená, musí ju vymeniť výrobca alebo jeho servisný zástupca alebo podobne kvalifikovaná osoba, aby sa zabránilo riziku.

Upozornenie: Tekutiny a ani ďalšie potraviny sa nesmú ohrievať v uzavretých nádobách, pretože by mohlo dôjsť k výbuchu.

Upozornenie: Pre kohokoľvek iného ako kompetentnú osobu je nebezpečné vykonávať akúkoľvek servisnú alebo opravárenskú operáciu, ktorá zahŕňa odstránenie krytu, ktorý poskytuje ochranu pred vystavením mikrovlnnej energii.

Spotrebič a jeho kábel uchovávajte mimo dosahu detí mladších ako 8 rokov.

Používajte iba nádoby, ktoré sú vhodné na použitie v mikrovlnnej rúre.

Rúru je potrebné pravidelne čistiť a odstraňovať všetky zvyšky potravín.

Pri ohrievaní potravín v plastových alebo papierových nádobách dávajte pozor na rúru kvôli možnosti vznietenia.

Ak sa vyžaruje dym, spotrebič vypnite alebo odpojte od elektrickej siete a nechajte dvierka zatvorené, aby sa zadusil všetok plameň.



Vajíčka v škrupine a celé natvrdo varené vajcia by sa nemali v mikrovlnnej rúre ohrievať, pretože môžu explodovať, a to aj v prípade, že bol už mikrovlnný ohrev ukončený.

Tento spotrebič je určený na použitie v domácnostiach a v podobných aplikáciách, ako sú:

- kuchynské priestory v obchodoch, kanceláriách a iných pracovných prostrediach;
- klientmi v hoteloch, motelloch a iných prostrediach ubytovacieho typu;
- domy na farmách;
- prostredia určené na nocľah a raňajky.

Ak je prírodná šnúra poškodená, musí ju vymeniť výrobca alebo jeho servisný zástupca alebo podobne kvalifikovaná osoba, aby sa zabránilo riziku.

Neudržiavanie rúry v čistom stave by mohlo viesť k poškodeniu povrchu, čo by mohlo nepriaznivo ovplyvniť životnosť spotrebiča a mohlo by viesť k nebezpečnej situácii.

Obsah dojčenských fliaš a nádob s detským jedlom sa musí premiešať alebo pretrepať a skontrolovať jeho teplota pred konzumáciou, aby nedošlo k popáleniu.

Mikrovlnný ohrev nápojov môže mať za následok oneskorený erupčný var, preto je potrebné pri manipulácii s nádobou postupovať opatrne.

Mikrovlnná rúra sa musí obsluhovať s otvorenými ozdobnými dvierkami.

Mikrovlnná rúra je určená na ohrievanie jedál a nápojov. Sušenie jedla alebo oblečenia a zohrievanie ohrievacích podložiek, papúč, špongií, vlhkej handričky a podobne môže viesť k riziku poranenia, vznietenia alebo požiaru.

**UPOZORNENIE:** Ak je tesnenie dvierok poškodené, rúra sa nesmie používať, kým nebude opravená vyškolenou osobou.

Tento spotrebič je určený len na použitie v domácnosti.

Táto rúra je určená len na zabudované použitie. Nie je určená na použitie na doske pracovného stola alebo na použitie vnútri skrine.

# Zníženie rizika zranenia osôb uzemnením inštalácie

## NEBEZPEČENSTVO

Nebezpečenstvo úrazu elektrickým prúdom pri dotyku vnútorných komponentov môže spôsobiť vážne zranenie osôb alebo smrť. Tento spotrebič nedemontujte.

## VAROVANIE

Pri nesprávnom používaní uzemnenia hrozí nebezpečenstvo úrazu elektrickým prúdom. Spotrebič nepripájajte do zásuvky, kým nebude správne nainštalovaný a uzemnený.

Tento spotrebič musí byť uzemnený. V prípade elektrického skratu uzemnenie znižuje riziko úrazu elektrickým prúdom tým, že poskytuje únikový vodič pre elektrický prúd. Tento spotrebič je vybavený káblom s uzemňovacím vodičom s uzemňovacou zástrčkou. Zástrčka musí byť zapojená do zásuvky, ktorá je správne nainštalovaná a uzemnená.

Poradte sa s kvalifikovaným elektrikárom alebo servisným technikom, ak pokyny na uzemnenie nie sú úplne pochopené alebo ak existujú pochybnosti o tom, či je spotrebič správne uzemnený. Ak je potrebné použiť predlžovací kábel, používajte iba 3-žilový predlžovací kábel.

1. Na zníženie rizík vyplývajúcich zo zapletenia alebo zakopnutia o dlhší kábel je k dispozícii krátky elektrický napájací kábel.
2. Ak používate dlhý kábel alebo predlžovací kábel:
  - 1) Označený elektrický menovitý výkon súpravy káblov alebo predlžovacieho kábla musí byť aspoň také ako elektrický menovitý výkon spotrebiča.
  - 2) Predlžovací kábel musí byť 3-vodičový uzemňovací kábel.
  - 3) Dlhý kábel musí byť usporiadaný tak, aby nevisel cez pult alebo stolovú dosku, kde ho môžu vytriahnuť deti alebo sa môže oň neúmyselne zakopnúť.

- Jedlo neprevárajte.
  - Nepoužívajte vnútorný priestor rúry na skladovanie.
  - Vnútri rúry neskladujte žiadne predmety, ako napr. chlieb, sušienky atď.
  - Pred vloženíím papierových alebo plastových nádob/vreciek do rúry odstráňte z nich skrútené drôtené spony a kovové držadlá.
  - Rúru nainštalujte a umiestnite len v súlade s dodanými pokynmi na inštaláciu.
- Neskladujte ani nepoužívajte tento spotrebič vonku.
- Túto rúru nepoužívajte blízko vody, vo vlhkom suteréne alebo pri bazéne.
  - Teplota prístupných plôch môže byť pri prevádzke spotrebiča vysoká.
  - V priebehu používania sa povrch zariadenia zahrieva.
  - Kábel udržiavajte mimo horúcich povrchov a nezakrývajte vetracie otvory na rúre.
  - Nedovoľte, aby kábel visel cez hranu stola alebo pultu.
- Nepokúšajte sa ovládať túto rúru s otvorenými dvierkami, pretože to môže spôsobiť škodlivé vystavenie mikrovlnnej energii. Je dôležité, aby nedošlo k porušeniu bezpečnostných uzáverov.
- Medzi prednú stranu rúry a dvierka neumiestňujte žiadne predmety, ani nedovoľte, aby sa na tesniacich plochách zachytávali nečistoty alebo zvyšky čistiaceho prostriedku.

# ČISTENIE

Uistite sa, že spotrebič je odpojený od elektrickej siete.

1. Po použití zľahka vyčistite vnútorný priestor rúry navlhčenou handričkou.
2. Vyčistite príslušenstvo mydlovou vodou obvyklým spôsobom.
3. Rám dverí a tesnenie a susedné časti sa musia, ak sú znečistené, dôkladne vyčistiť vlhkou handričkou.
4. Nepoužívajte agresívne čistiace prostriedky alebo ostré kovové škrabky na čistenie skla dverok rúry, pretože môžu poškríbať povrch, čo môže viesť k rozbitiu skla.
5. Tip na čistenie---Pre ľahšie čistenie stien vnútorného priestoru rúry, ktorých sa môžu varené jedlá dotknúť: do misky dajte polovicu citróna, pridajte 300 ml (1/2 pinty) vody a zahrievajte pri 100 % výkone mikrovlnnej rúry 10 minút. Poutierajte rúru do čista mäkkou suchou handričkou.

## RIAD

### UPOZORNENIE

#### **Nebezpečenstvo úrazu**

**osôb** Pre kohokoľvek iného ako kompetentnú osobu je nebezpečné vykonávať akúkoľvek servisnú alebo opravárskú operáciu, ktorá zahŕňa odstránenie krytu chrániaceho pred vystavením mikrovlnnej energii.

Pozrite si pokyny v časti „Materiály, ktoré môžete použiť v mikrovlnnej rúre, alebo sa im v mikrovlnnej rúre treba vyhnúť.“ Môže existovať určitý nekovový riad, ktorý nie je bezpečný na použitie v mikrovlnnej rúre. Ak máte pochybnosti, môžete príslušný riad otestovať podľa nižšie uvedeného postupu.

Test na riad:

1. Nalejte do nádoby vhodnej pre mikrovlnnú rúru 1 pohár studenej vody (250 ml) spolu s testovaným predmetom.
2. Varte pri maximálnom výkone 1 minútu.
3. Dotknite sa opatrne testovaného predmetu. Ak je horúci, nesmie v mikrovlnnej rúre používať.
4. Neprekročte dobu ohrevu 1 minútu.

## Materiály, ktoré je možné bezpečne používať v mikrovlnnej rúre

Riad	Poznámky
Zapekacia misa	Riadte as pokynmi výrobcu. Spodok zapekacej misy musí byť aspoň 3/16 palca (5 mm) nad otočným podstavcom. Nesprávne používanie môže spôsobiť rozbitie otočného podstavca.
Stolový riad	Len bezpečný na použitie v mikrovlnných rúrach. Riadte as pokynmi výrobcu. Nepoužívajte prasknutý alebo naštiepený riad.
Sklenené hrnce	Vždy odoberte pokrievku. Používajte na ľahké ohriatie jedla. Väčšina sklenených hrncov nie je tepelne odolná a môže prasknúť.
Sklenený riad	Len tepelne odolný sklenený riad do rúry. Uistite sa, že neobsahujú kovový lem. Nepoužívajte prasknutý alebo naštiepený riad.
Vrecká na pečenie	Riadte as pokynmi výrobcu. Neuzatvárajte drôteným povrázkom. Perforujte, aby mohla unikať para.
Papierové poháre a šálky	Používajte len na krátkodobé varenie/ohrievanie. Počas prípravy jedla nenechávajte rúru bez dozoru.
Papierové utierky	Používajte na zakrytie jedla na prihrievanie alebo absorbovanie tuku. Používajte len na krátkodobé varenie pod dozorom.
Pergamenový papier	Používajte ako ochranu pred striekaním alebo ako obal na napaarovanie.
Plast	len bezpečný na použitie v mikrovlnných rúrach. Riadte as pokynmi výrobcu. Mal by byť označený „Microwave Safe“ (bezpečný na použitie v mikrovlnnej rúre). Niektoré plastové nádoby zmäknú, keď sa jedlo vnútri zahreje. „Varné vrecká“ a tesne uzavreté plastové vrecká by mali byť rozrezané, prederavené alebo ventilované podľa odporúčania na obale.
Plastový obal	Len bezpečný na použitie v mikrovlnných rúrach. Používajte na zakrytie jedla v priebehu prípravy jedla, aby zostala zachovaná vlhkosť. Dávajte pozor, aby sa plastový obal nedotýkal jedla.
Teplomery	Len bezpečné na použitie v mikrovlnných rúrach (teplomery na určenie teploty mäsa a sladkostí).
Voskovaný papier	Používajte ako ochranu pred striekaním alebo na zachovanie vlhkosti.

## Materiály, ktoré sa v mikrovlnnej rúre nesmú používať

Riad	Poznámky
Hliníkový podnos	Môže spôsobiť iskrenie. Premiestnite jedlo do nádoby bezpečnej na použitie v mikrovlnnej rúre.
Kartón s jedlom s kovovým držadlom	Môže spôsobiť iskrenie. Premiestnite jedlo do nádoby bezpečnej na použitie v mikrovlnnej rúre.
Kovový alebo pokovovaný kuchynský riad	Kov chráni potraviny pred mikrovlnnou energiou. Kovový lem môže spôsobiť iskrenie.
Kovové spony	Môžu spôsobiť iskrenie a požiar v rúre.
Papierové vrecká	Môžu spôsobiť požiar v rúre.
Plastová pena	Plastová pena sa môže roztaviť alebo kontaminovať kvapalinu vnútri, ak je vystavená vysokej teplote.
Drevo	Drevo pri používaní v mikrovlnnej rúre vysychá a môže sa rozštiepiť alebo prasknúť.

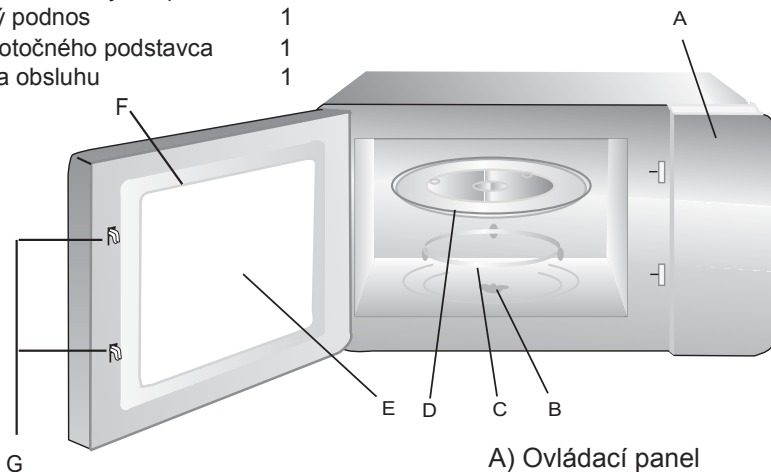
# CELKOVÝ POHĽAD

## Názvy náhradných dielov a príslušenstva

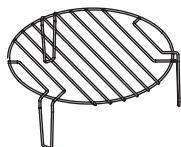
Vyberte rúru a všetok materiál z kartónu a vnútorného priestoru rúry.

Rúra sa dodáva s týmto príslušenstvom:

Sklenený podnos	1
Zostava otočného podstavca	1
Návod na obsluhu	1



G



Grilovacia mriežka (používa sa len pri grilovaní a dáva sa na sklenený podnos)

- A) Ovládací panel
- B) Hriadeľ otočného podstavca
- C) Zostava otočného podstavca
- D) Sklenený podnos
- E) Kontrolné okienko
- F) Dvierka
- G) Bezpečnostný uzatvárací systém

## Inštalácia otočného podstavca

Nosný kotúč (spodná časť)

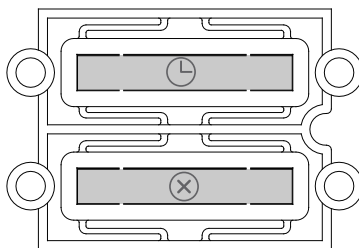
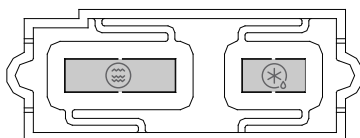
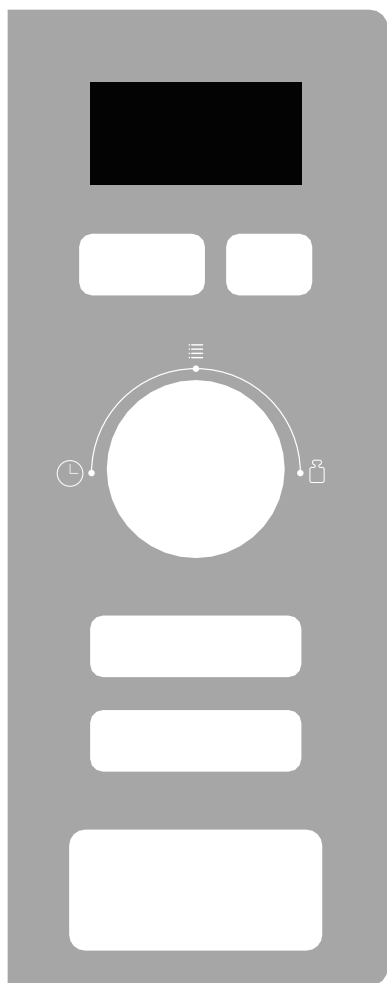
Sklenený podnos

Hriadeľ otočného podstavca









Zostava otočného podstavca

- a. Nikdy neumiestňujte sklenený podnos hornou stranou dolu. Sklenený podnos by nemal byť nikdy zablokovaný.
- b. Počas varenia je potrebné vždy používať sklenený podnos aj otočný podstavec.
- c. Všetko jedlo a nádoby s jedlom musia byť pri príprave jedla vždy položené na sklenenom podnose.
- d. Ak sklenený podnos alebo otočný podstavec praskne alebo sa rozbije, obráťte sa na najbližšie autorizované servisné stredisko.

# Ovládací panel



## Pokyny:

	Micro./ Grill/Combi.		Weight/Time Defrost
	Kitchen Timer/ Clock		Stop/Clear
	Start/ +30Sec./Confirm		Auto Menu
	Time		Weight



# INŠTALÁCIA

1. Spotrebič je možné nainštalovať do 60 cm širokej skrinky montovanej na stenu.
2. Spotrebič sa dodáva s elektrickým káblom a zástrčkou typu Schuko alebo trojpólovým sieťovým káblom voľnými koncami.
3. Spotrebič sa musí pripojiť len do riadne inštalovanej uzemnenej zásuvky.
4. Sieťové napätie musí zodpovedať napätiu uvedenému na typovom štítku.
5. Inštalovať zásuvku a vymeniť pripojovací káble musí len kvalifikovaný elektrikár. Ak zástrčka nebude po inštalácii prístupná, na strane inštalácie musí byť nainštalované ešte zariadenie odpájajúce všetky póly s medzerou medzi kontaktmi najmenej 3 mm.
6. Použitie adaptérov, viaccestných zásuvkových líšt a predlžovacích káblov je zakázané. Preťaženie môže mať za následok riziko požiaru.

**V priebehu prevádzky môže byť prístupný povrch horúci.**



# Pokyny na inštaláciu

Pred inštaláciou si dôkladne prečítajte návod

## Vezmite na vedomie

### Elektrické zapojenie

Namontovaná skrinka nesmie mať zadnú stenu za spotrebičom.  
Medzi stenou a základom zariadenia vyššie sa musí udržiavať medzera.  
V schémach môže byť uvedený špecifický rozmer medzery.  
Minimálna inštaláčna výška: 85 cm.

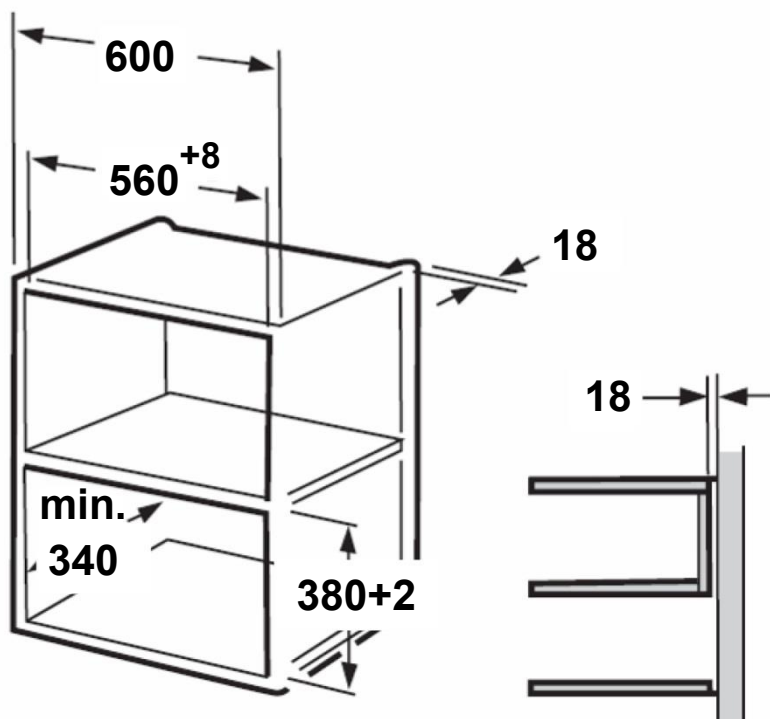
Nezakrývajte vetracie štrbiny a sacie otvory.

### Poznámka:

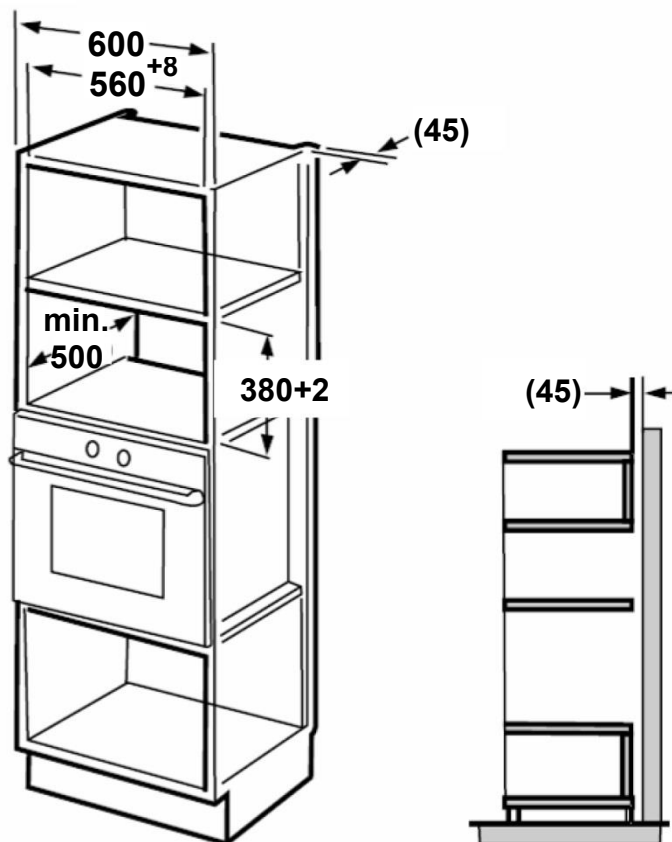
Neprerušujte ani neohýbajte elektrický kábel.  
Nepoužívajte pod pracovným povrchom a nevyliievajte z nádoby na povrch, kde je spotrebič pripevnený.

## A. Požiadavky na skrinku

1.



2.

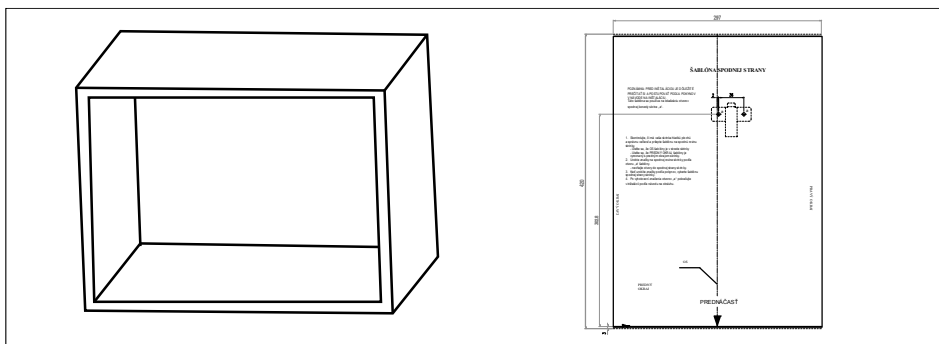


**Poznámka:**

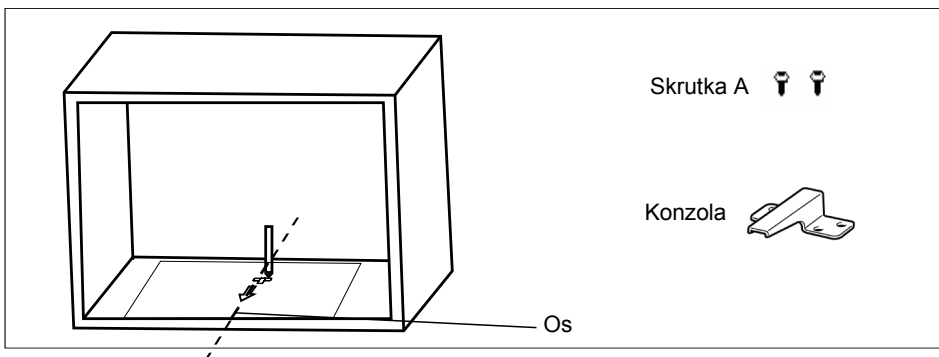
Pri inštalácii je potrebný držiak a šablóna na spodnú stranu skrinky v oboch inštaláciách.

## B. Pripravte skrinku

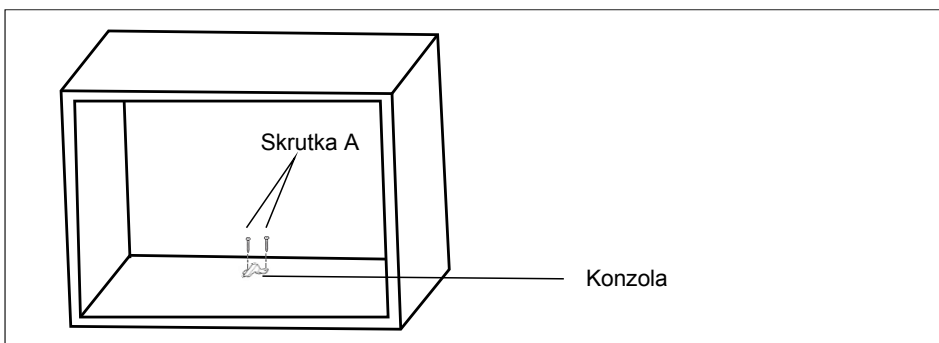
1. Prečítajte si pokyny na šablónu na **SPODNÚ STRANU** SKRINKY, položte šablónu na spodnú stranu skrinky.



2. Urobte značky na spodnej strane skrinky podľa značiek „a“ šablóny



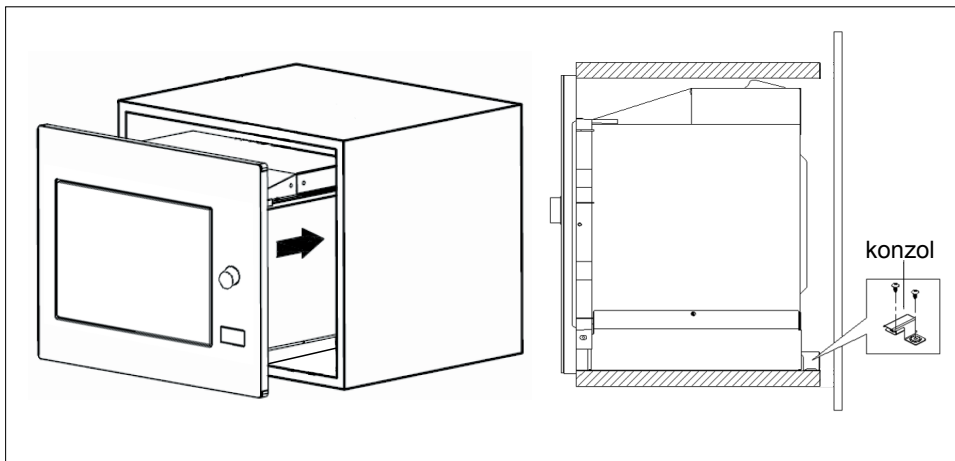
3. Odstráňte šablónu spodnej strany skrinky a upevnite konzolu skrutkou A.



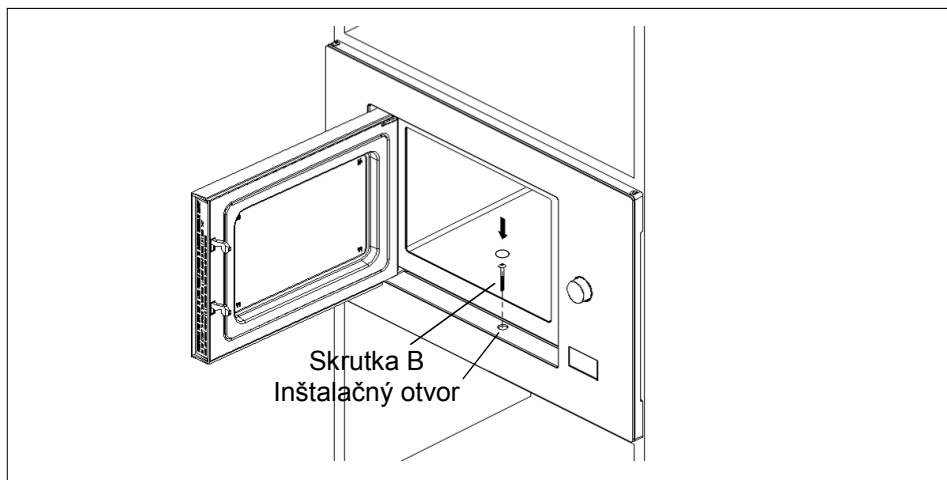
## C. Nainštalujte rúru

### 4. Nainštalujte rúru do skrinky

- Dbajte na to, aby zadná časť rúry bola zaistená konzolou.
- Neprerušujte ani nezauzlite elektrický kábel.



5. Otvorte dverka, pripevnite rúru ku skrinke skrinkou B v montážnom otvore. Potom pripevnite plastový kryt Trim-kit do montážneho otvoru.



# OBSLUHA

## 1. Nastavenie hodín

Keď sa do mikrovlnnej rúry privedie elektrický prúd, na obrazovke sa zobrazí „0:00“, bzučiak zaznie raz.

1) Stlačte dvakrát „**Kitchen Timer/Clock**“ aby ste vybrali funkciu hodín, budú blikať čísla hodín.

---

2) Otočte „“ na nastavenie čísel hodín, vstupný čas bude medzi 0 a 23.

---

3) Stlačte „**Kitchen Timer/Clock**“, budú blikať čísla minút.

---

4) Otočte „“ na nastavenie čísel minút, vstupný čas bude medzi 0 a 59.

---


5) Stlačte „**Kitchen Timer/Clock**“ na ukončenie nastavenia hodín. Bude blikať „:“ a čas sa rozsvieti.


Poznámka: 1) Ak sa hodiny nenastavia, pri zapnutí nebudú fungovať.

2) Ak v priebehu nastavovania hodín stlačíte „**Stop/Clear**“, rúra sa vráti do predchádzajúceho stavu automaticky.

## 2. Príprava potravín v mikrovlnnej rúre

Stlačte tlačidlo „**Micro./Grill/Combi.**“ raz, na displeji sa zobrazí „P100“. Stlačte


tlačidlo „**Micro./Grill/Combi.**“ opakovane alebo otočte „“ na nastavenie požadovaného výkonu „P100“, „P 80“, „P 50“, „P 30“, „P 10“, „G“, „C-1“ alebo „C-2“ sa zobrazí pre každé pridané tlačidlo. Stlačte „**Start/+30Sec./Confirm**“ na

potvrdenie a otočením „“ nastavte čas prípravy jedla od 0:05 do 95:00. Stlačte „**Start/+30Sec./Confirm**“ znovu na spustenie prípravy jedla.

Príklad: Ak chcete použiť 80 % výkon mikrovlnnej rúry na varenie po dobu 20 minút, môžete ovládať rúru nasledujúcimi krokmi.

1) Stlačte tlačidlo „**Micro./Grill/Combi.**“ raz, na displeji sa zobrazí „P100“.

---

2) Stlačte tlačidlo „**Micro./Grill/Combi.**“ znovu alebo otáčajte „“ na výber 80 % výkonu mikrovlnnej rúry.

---

3) Stlačte tlačidlo „**Start/+30Sec./Confirm**“ na potvrdenie a obrazovka zobrazí „P 80“.

---

4) Otočte „“ na nastavenie doby prípravy jedla, kým rúra nezobrazí „20:00“.

---

5) Stlačte „**Start/+30Sec./Confirm**“ na spustenie prípravy jedla.



Poznámka: krok množstvá pre nastavenie času spínača kódovania je takýto:

0---1	min	:	5 sekúnd
1---5	min	:	10 sekúnd
5---10	min	:	30 sekúnd
10---30	min	:	1 minúta
30---95	min	:	5 minút



### Pokyny „Micro./Grill/Combi.“ Pad

Objednávka	Displej	Výkon mikrovlnnej rúry	Výkon grilu
1	P100	100 %	
2	P 80	80 %	
3	P 50	50 %	
4	P 30	30 %	
5	P 10	10 %	
6	G	0 %	100 %
7	C-1	55 %	45 %
8	C-2	36 %	64 %

### 3. Grill alebo Combi. Príprava jedla


Stlačte tlačidlo „Micro./Grill/Combi.“ raz, na obrazovke sa zobrazí „P100“, a stlačte opakovane „Micro./Grill/Combi.“ alebo otočte „“ na výber výkonu, ktorý požadujete, a pre každý ďalej stlačený sa zobrazí „P100“, „P 80“, „P 50“, „P 30“, „P 10“, „G“, „C-1“ alebo „C-2“. Potom stlačte tlačidlo „Start/+30Sec./Confirm“ na potvrdenie a otočte „“, aby ste nastavili dobu prípravy jedla od 0:05 do 95:00. Stlačte „Start/+30Sec./Confirm“ znovu na spustenie prípravy jedla.

Príklad: Ak chcete použiť 55 % výkon mikrovlnnej rúry a 45 % výkon grilu (C-1) na prípravu jedla po dobu 10 minút, môžete ovládať rúru nasledujúcimi krokmi.

- 1) Stlačte tlačidlo „Micro./Grill/Combi.“ raz, na displeji sa zobrazí "P100".
- 2) Stlačte tlačidlo „Micro./Grill/Combi.“ viackrát „“, aby ste vybrali režim to choose combi. 1.
- 3) Stlačte tlačidlo „Start/+30Sec./Confirm“ na potvrdenie a obrazovka zobrazí „C-1“.
- 4) Otočte „“ na nastavenie doby prípravy jedla, kým rúra nezobrazí „10:00“.
- 5) Stlačte „Start/+30Sec./Confirm“ na spustenie prípravy jedla.

Poznámka: Ak uplynie polovica času grilovania, rúra zaznie dvakrát, čo je normálne. Pri grilovaní potravín dosiahnete lepšie výsledky, keď potraviny pretočíte, zatvoríte dverka a potom budete pokračovať vo varení stlačením tlačidla „Start/+30Sec./Confirm“. Ak nie je žiadna operácia spustená, rúra bude pokračovať v práci.


#### 4. Rýchly štart

- 1) V pohotovostnom stave stlačte tlačidlo „Start/+30Sec./Confirm“ na spustenie 30-sekundového varenia so 100 % výkonom, pričom každé pridané stlačenie zvýši dobu varenia o 30 sekúnd na 95 minút.
- 2) V mikrovlnnej rúre, grile, pri kombinovanom varení alebo časového rozmrazovania každé stlačenie tlačidla „Start/+30Sec./Confirm“ predĺži dobu varenia o 30 sekúnd.
- 3) V pohotovostnom stave otočte „“ doľava, aby ste nastavili dobu prípravy jedla so 100 % mikrovlnným výkonom. Po výbere doby prípravy jedla stlačte „Start/+30Sec./Confirm“ na spustenie varenia/pečenia.

#### 5. Rozmrazujte podľa hmotnosti

- 1) Stlačte tlačidlo „Weight/Time Defrost“ raz a na displeji rúry sa objaví „dEF1“.

---

- 2) Otočte „“ na výber hmotnosti jedla od 100 do 2000 g.


---

- 3) Stlačte tlačidlo „Start/+30Sec./Confirm“ na spustenie rozmrazovania.

#### 6. Rozmrazujte podľa času

- 1) Stlačte tlačidlo „Weight/Time Defrost“ dvakrát a na displeji rúry sa objaví „dEF2“.

---


- 2) Vyberte „“ na výber doby rozmrazovania. MAX. doba je 95 minút.

---

- 3) Stlačte tlačidlo „Start/+30Sec./Confirm“ na spustenie rozmrazovania. Výkon rozmrazovania je P 30 a nedá sa zmeniť.




## 7. Kuchynský časový spínač

- 1) Stlačte tlačidlo „Kitchen Timer/Clock“ raz, na displeji sa zobrazí 00:00.
- 2) Na zadanie správneho času otočte „“. (Maximálny čas prípravy jedla je 95 minút.)
- 3) Stlačte tlačidlo „Start/+30Sec./Confirm“ na potvrdenie nastavenia.
- 4) Keď sa dosiahne kuchynský, bzučiak zazvoní 5-krát.

Ak sú hodiny nastavené (24-hodinový systém), na obrazovke sa zobrazí aktuálny čas.

Poznámka: Kuchynský čas sa líši od 24-hodinového systému. Kuchynský časový spínač je časovač.


## 8. Auto Menu

- 1) Otočte „“ doprava na výber ponuky a zobrazí sa „A-1“ až „A-8“.

---

- 2) Stlačte „Start/+30Sec./Confirm“ na potvrdenie.


---

- 3) Otočením „“ zvolte predvolenú hmotnosť z grafu ponuky.

---

- 4) Stlačte „Start/+30Sec./Confirm“ na spustenie prípravy jedla.


Príklad: Ak chcete použiť „Auto Menu“ na prípravu ryby 350 g.

- 1) Otáčajte „“ v smere hodinových ručičiek, kým sa neobjaví displej „A-6“.

---

- 2) Stlačte „Start/+30Sec./Confirm“ na potvrdenie.

---

- 3) Otáčajte „“ na výber hmotnosti ryby, kým sa nezobrazí „350“.

---

- 4) Stlačte „Start/+30Sec./Confirm“ na spustenie prípravy jedla.

## Kuchynský stôl

Ponuka	Hmotnosť	Displej
A-1 Pizza	200 g	200
	400 g	400
A-2 Mäso	250 g	250
	350 g	350
	450 g	450
A-3 Zelenina	200 g	200
	300 g	300
	400 g	400
A-4 Pasta	50 g(so 450 g studenej vody)	50
	100 g (s 800 g studenej vody)	100
A-5 Zemiaky	200 g	200
	400 g	400
	600 g	600
A-6 Ryby	250 g	250
	350 g	350
	450 g	450
A-7 Nápoje	1 pohár (120 ml)	1
	2 poháre (240 ml)	2
	3 poháre (360 ml)	3
A-8 Pražená kukurica	50 g	50
	100 g	100


## 9. Príprava jedla vo viacerých úsekoch

Na prípravu jedla sa môžu nastaviť najviac 2 úseky. Pri príprave jedla vo viacerých úsekoch, ak je jeden úsek rozmrazovanie, potom sa rozmrazovanie zarádi automaticky do prvého úseku.

Príklad: Ak chcete rozmrazovať jedlo 5 minút a potom variť na 80 % výkon mikrovlnnej rúry 7 minút, ovládajte to takto:

- 1) Stlačte tlačidlo „**Weight/Time Defrost**“ dvakrát a na displeji rúry sa objaví „dEF2“.


---

- 2) Otáčajte „“ na výber času rozmrazovania, kým sa zobrazí „5:00“.

---

- 3) Stlačte „**Micro./Grill/Combi**“ raz, na obrazovke sa zobrazí „P100“.


---

- 4) Stlačte tlačidlo „**Micro./Grill/Combi**“ znovu raz alebo otočte „“ na výber 80 % výkonu mikrovlnnej rúry.

---

- 5) Stlačte tlačidlo „**Start/+30Sec./Confirm**“ na potvrdenie a na obrazovke sa zobrazí „P 80“.

---

- 6) Otáčajte „“ na nastavenie doby prípravy jedla, kým rúra zobrazí „7:00“.


---

- 7) Stlačte tlačidlo „**Start/+30Sec./Confirm**“ na spustenie prípravy jedla a bzučiak zaznie raz pre prvý úsek, začne sa odpočítavať doba rozmrazovania. Bzučia zaznie znova raz po zadaní sekúnd na prípravu jedla. Keď príprava jedla skončí, bzučiak zaznie päťkrát.

## 10. Funkcia zobrazovania informácií

- 1) Vstavocho mikrovlnnej rúry príprava jedla gril akombinácia stlačte „**Micro./Grill/Combi**“ sa zobrazí aktuálny výkon na 3 sekundy. Po uplynutí ďalších 3 sekúnd sa rúra vráti do predchádzajúceho stavu.
- 2) V stave prípravy jedla stlačte „**Kitchen Timer/Clock**“, aby ste vyvolali čas, ktorý sa zobrazí na 3 sekundy.

## 11. Funkcia detskej poistky

Uzamknutie: V pohotovostnom stave stlačte tlačidlo „**Stop/Clear**“ na 3 sekundy, zaznie dlhé pípnutie oznamujúce aktiváciu stavu detskej poistky. Bude svietiť  a zobrazí sa aktuálny čas, ak bol predtým nastavený. Inak sa na displeji zobrazí „**[ : : ]**“.

Odomknutie detskej poistky: V uzamknutom stave stlačte tlačidlo „**Stop/Clear**“ na 3 sekundy, zaznie dlhé „pípnutie“ oznamujúce, že zámok je odomknutý.

# POKYNY NA ODSTRAŇOVANIE PORÚCH

Normálny stav	
Mikrovlnná rúra ruší príjem TV	Keď je mikrovlnná rúra v prevádzke, môže rušiť rádiový a televízny príjem. Je to podobné rušeniu od malých elektrických spotrebičov, ako je mixér, vysávač a elektrický ventilátor. Je to normálne.
Tlmenie svetla rúry	Pri príprave jedla v mikrovlnnej rúre pri nízkom výkone sa môže svetlo v rúre stlmiť. Je to normálne.
Na dvierkach sa kumuluje para, z vetracích otvorov vychádza horúci vzduch	Pri varení môže z potravín vychádzať para. Väčšina sa dostane cez prieduchy von. Ale časť sa môže kumulovať na chladnom mieste, ako sú dvierka rúry. Je to normálne.
Rúra sa spustila náhodne bez potravín v nej.	Je zakázané prevádzkovať spotrebič bez jedla vnútri rúry. Je to veľmi nebezpečné.

Porucha	Možná príčina	Náprava
Rúra sa nedá spustiť.	(1) Elektrický kábel nie je správne zasunutý.	Vytiahnite zástrčku. Po 10 sekundách zástrčku znova zasuňte.
	(2) Vypálená poistka alebo sa aktivoval istič.	Vymeňte poistku alebo resetujte istič (opravu musia vykonávať kvalifikovaní pracovníci našej spoločnosti)
	(3) Problém s elektrickou zásuvkou.	Odskúšajte zásuvku iným elektrickým spotrebičom.
Rúra nehreje.	(4) Nie sú dobre zatvorené dvierka.	Zatvorte dvierka správne.



## LIKVIDÁCIA

Symbol na výrobku alebo na obale označuje, že zariadenie sa nesmie likvidovať s odpadom v domácnosti. Správnu likvidáciu zariadenia pomôžete zabrániť škodlivým následkom pre životné prostredie a zdravie.

Ďalšie informácie o recyklácii zariadenia sú k dispozícii na príslušnom úrade, u miestnej služby na likvidáciu odpadu alebo u predajcu zariadenia.

Zariadenie zlikvidujte prostredníctvom špecializovaného zberného miesta pre elektronické a elektrické zariadenia.

# SLUŽBY ZÁKAZNÍKOM

Odkaz na našu kontaktnú adresu na internetovej stránke: [www.franke.com](http://www.franke.com)

## TECHNICKÉ ÚDAJE

Model:	FMW 20 SMP G XS / FSL 20 MW XS / FSL 20 MW BK
Menovité napätie:	230 V~50 Hz
Menovitý vstupný výkon (mikrovlnná rúra):	1250 W
Menovitý výstupný výkon (mikrovlnná rúra):	800 W
Menovitý vstupný výkon (gril):	1000 W
Objem rúry:	20 l
Priemer otočného podstavca:	Ø 245 mm
Vonkajšie rozmery:	595 × 343,5 × 388 mm
Čistá hmotnosť:	cca 15 kg

## SPOTREBA ENERGIE

Informácie o spotrebe energie a maximálnom čase do dosiahnutia použiteľného režimu nízkej spotreby energie.

---

Pohotovostný režim	0.8 W
--------------------	-------

---

Maximálny čas potrebný na to, aby mikrovlnná rúra automaticky dosiahla použiteľný režim alebo stav nízkej spotreby energie.	20 minút
---	----------

---

## INFORMAȚII PRIVIND SIGURANȚA



Citiți cu atenție manualul de utilizare și informațiile privind siguranța înainte de a folosi cuptorul.

Păstrați manualul pentru consultare ulterioară.

Producătorul nu poate fi tras la răspundere pentru daune care pot apărea din cauza unei instalări incorecte și a utilizării necorespunzătoare, inadecvate sau nerezonabile a aparatului.

Siguranța electrică a cuptorului este garantată numai atunci când acesta este conectat la un sistem de împământare în conformitate cu reglementările în vigoare.

Pentru a asigura funcționarea sigură și eficientă a acestui dispozitiv electric:

- Adresați-vă doar centrelor de service autorizate.
- Nu modificați nicio caracteristică a dispozitivului.

Acest aparat poate fi utilizat de copii cu vârste de peste 8 ani și de persoanele cu capacități fizice, senzoriale sau mintale reduse sau fără experiența și cunoștințele necesare numai sub supraveghere sau dacă au fost instruite cu privire la utilizarea în siguranță a aparatului și înțeleg riscurile implicate. Copiii nu trebuie lăsați să se joace cu aparatul. Curățarea și întreținerea nu trebuie să fie efectuate de către copii fără a fi supravegheați.

Acest aparat nu este o jucărie.

Nu lăsați copiii lângă aparat nesupravegheați.

Nu lăsați copiii să atingă aparatul sau butoanele acestuia în timpul și imediat după utilizare.

**ATENȚIE:** Pentru a evita pericolul cauzat de resetarea neașteptată a siguranței termice, acest aparat nu trebuie să fie alimentat printr-un dispozitiv extern de comutare, cum ar fi un temporizator, sau trebuie să fie conectat la un circuit care este pornit și oprit în mod periodic de sistem.

Asigurați-vă că dispozitivul este instalat astfel încât să permită deconectarea de la rețeaua de alimentare cu energie electrică, cu o deschidere de contact care să asigure o deconectare completă în condițiile unei supratensiuni de categoria III. Mijloacele de deconectare trebuie să fie încorporate în instalațiile fixe, în conformitate cu regulile de cablare.

Folosiți exclusiv sonda de temperatură recomandată pentru acest cuptor.

Aparatul nu trebuie instalat în spatele unei uși decorative, pentru a evita supraîncălzirea.

**AVERTISMENT:** Risc de arsuri!

În timpul utilizării, aparatul se încălzește. Trebuie evitată atingerea rezistențelor din interiorul cuptorului. Copiii cu vârste mai mici de 8 ani nu trebuie lăsați să se apropie de aparat, cu excepția cazurilor în care sunt supravegheați în permanență.

Risc de arsuri!

Capătul mânerului ușii poate fi mai fierbinte datorită aerului fierbinte ventilat.

Asigurați-vă întotdeauna că butoanele de comandă se află în poziția oprit când cuptorul nu este utilizat.

**AVERTISMENT:** Înainte de a înlocui becul, asigurați-vă că aparatul este oprit, pentru a evita posibilitatea electrocutării.

Nu utilizați substanțe de curățare abrazive sau răzuitoare metalice ascuțite pentru a curăța ușa din sticlă a cuptorului/sticla capacelor cu balamale ale plitei (după caz), deoarece acestea pot zgâria suprafața, ceea ce poate determina spargerea sticlei.

Nu folosiți aparate pentru curățare cu aburi sau jeturi directe de apă.

În cazul în care cablul de alimentare este deteriorat, acesta trebuie înlocuit de către producător, agentul său de service sau o persoană calificată similar, pentru a se evita orice pericole.

Avertisment: Lichidele și alte alimentele nu trebuie încălzite în recipiente sigilate ermetic, deoarece pot exploda.

Avertisment: Este periculos pentru oricine altcineva, în afară de o persoană calificată, să efectueze orice fel de operație de servizare sau de reparație care implică scoaterea unui capac care oferă protecție împotriva expunerii la energia microundelor.

Nu lăsați aparatul la îndemâna copiilor mai mici de 8 ani.

Utilizați numai ustensile adecvate pentru utilizare în cuptorul cu microunde

Cuptorul trebuie curățat cu regularitate și orice depunere de alimente trebuie îndepărtată.

Atunci când încălziți alimente în recipiente din plastic sau hârtie, supravegheați cu atenție cuptorul deoarece acestea pot lua foc.



Dacă observați fum, opriți sau deconectați aparatul de la sursa de alimentare și țineți închisă ușa cuptorului pentru a înăbuși flăcările.

Ouăle în coajă și ouăle fierte tari, întregi nu trebuie încălzite în cuptoarele cu microunde deoarece pot exploda chiar și după finalizarea încălzirii.

Acest aparat este proiectat pentru a fi utilizat în locuințe, precum și în alte spații, cum ar fi:

- bucătării destinate personalului din magazine, birouri și alte spații de lucru;
- de către clienții din hoteluri, moteluri și alte tipuri de spații rezidențiale;
- ferme;
- unități care oferă cazare și mic dejun.

În cazul în care cablul de alimentare este deteriorat, acesta trebuie înlocuit de către producător, agentul său de service sau o persoană calificată similar, pentru a se evita orice pericole.

Prin nepăstrarea cuptorului curat, suprafața acestuia se poate deteriora, astfel putând fi afectată durata de viață a aparatului și existând posibilitatea apariției de situații periculoase.

Conținutul biberoanelor și al caserolelor cu mâncare pentru copii trebuie amestecat sau agitat, iar temperatura trebuie verificată înainte de consum, pentru a evita producerea arsurilor.

Încălzirea cu microunde a băuturilor poate determina fierberea eruptivă întârziată a acestora; prin urmare, trebuie să aveți grijă la manevrarea recipientului.

Cuptorul cu microunde trebuie să funcționeze cu ușa decorativă deschisă.

Cuptorul cu microunde este destinat încălzirii alimentelor și băuturilor. Uscarea alimentelor sau hainelor și încălzirea pernelor electrice, papucilor de casă, bureților, lavetelor umede sau a altor articole similare poate presupune un pericol de rănire, aprindere sau incendiu.

**AVERTISMENT:** Dacă garniturile ușii sunt deteriorate, cuptorul nu trebuie utilizat până când nu au fost reparate de o persoană calificată.

Acest aparat este destinat exclusiv uzului casnic.

Acest cuptor este destinat exclusiv utilizării încorporate. Cuptorul este destinat utilizării pe blatul de lucru sau în interiorul unui dulap.

# Pentru a reduce riscul de rănire a persoanelor Instalația de împământare

## PERICOL

Pericol de electrocutare  
Atingerea unora dintre  
componentele interne poate  
provoca vătămări corporale  
grave sau moartea. Nu  
dezasamblați aparatul.

## AVERTISMENT

Pericol de electrocutare  
Utilizarea necorespunzătoare a  
împământării poate duce la  
electrocutare. Nu conectați  
aparatul la priză până când  
aparatul nu este instalat corect  
și nu este împământat.

Acest aparat trebuie să fie  
împământat. În cazul  
unui scurtcircuit electric,  
împământarea reduce  
riscul de electrocutare prin  
furnizarea unui cablu de  
descărcare pentru curentul  
electric. Aparatul este echipat  
cu un cablu care are un fir de  
împământare cu o priză de  
împământare. Ștecărul trebuie  
să fie conectat la o priză care  
este adecvat instalată și  
împământată.

Consultați un electrician  
calificat sau un service  
autorizat dacă instrucțiunile  
de împământare nu sunt  
înțelese pe deplin sau dacă  
există îndoieli cu privire la  
împământarea adecvată a  
aparatului.

Dacă este necesar să  
utilizați un prelungitor,  
utilizați exclusiv un  
prelungitor cu 3 fire.

1. Este furnizat un cablu de alimentare scurt, pentru a reduce riscurile de încurcare într-un cablu mai lung sau împiedicare de acesta.
2. Dacă se utilizează un cablu de alimentare sau un prelungitor:
  - 1) Clasificarea electrică marcată pe cablul de alimentare sau pe prelungitor trebuie să fie cel puțin la fel de mare ca cea a aparatului.
  - 2) Prelungitorul trebuie să aibă un cablu cu 3 fire și împământare.
  - 3) Cablul lung trebuie să fie aranjat astfel încât să nu rămână suspendat deasupra planului de lucru sau a blatului, unde poate fi tras de copii sau unde există riscul de împiedicare din neatenție.

- Nu depășiți durata de preparare a alimentelor.
  - Nu utilizați interiorul cuptorului pentru depozitare.
  - Nu păstrați în interiorul cuptorului pâine, fursecuri etc.
  - Îndepărtați sârmușițele de închidere și mânerurile metalice de la pungile/recipientele de hârtie sau de plastic, înainte de a le introduce în cuptor.
  - Montați sau amplasați acest cuptor numai în conformitate cu instrucțiunile de instalare furnizate
- Nu depozitați și nu utilizați aparatul în aer liber.
- Nu utilizați acest cuptor în apropierea apei, într-un subsol umed sau lângă o piscină.
  - Temperatura suprafețelor accesibile poate fi ridicată atunci când aparatul funcționează..
  - Suprafețele pot deveni fierbinți în timpul utilizării.
  - Țineți cablul departe de suprafața încălzită și nu acoperiți orificiile de ventilație ale cuptorului.
  - Nu lăsați cablul suspendat peste marginea mesei sau a blatului.
- Nu încercați să utilizați cuptorul cu ușa deschisă, deoarece acest lucru poate duce la expunerea dăunătoare la energia microundelor. Este important să nu deteriorați sau să desfaceți sistemul de siguranță de blocare a ușii.
- Nu așezați obiecte între partea din față a cuptorului și ușa și nu permiteți acumularea de murdărie sau reziduuri de substanțe de curățare pe suprafețele de etanșare.

# CURĂȚARE

Asigurați-vă că ați deconectat aparatul de la rețeaua de alimentare cu energie electrică.

1. Curățați cavitatea cuptorului după utilizare, folosind o lavetă ușor umedă.
2. Curățați accesoriile în mod obișnuit, cu o soluție de apă și săpun.
3. Cadrul ușii și garniturile, precum și piesele din apropiere trebuie curățate cu grijă, folosind o lavetă umedă, atunci când sunt murdare.
4. Nu utilizați substanțe abrazive de curățare sau răzuitoare metalice ascuțite pentru a curăța geamul ușii cuptorului; acestea pot zgâria suprafața, ceea ce poate duce la spargerea sticlei.
5. Sfat pentru curățare---Pentru o curățare mai ușoară a pereților pe care poate ajunge mâncarea preparată: Puneți o jumătate de lămâie într-un bol, adăugați 300 ml (1/2 pintă) de apă și încălziți la 100% la microunde timp de 10 minute. Ștergeți cuptorul folosind o lavetă moale și uscată.

## USTENSILE

### ATENȚIE

#### Pericol de accidentare

Este periculos pentru oricine altcineva, în afară de o persoană calificată, să efectueze orice fel de operație de servizare sau de reparație care implică scoaterea unui capac care oferă protecție împotriva expunerii la energia microundelor.

Consultați instrucțiunile referitoare la „Materialele rezistente sau nerezistente la microunde”. Pot exista anumite ustensile nemetalice care nu sunt sigure pentru microunde. Dacă există nelămuriri, puteți testa respectiva ustensilă urmând procedura de mai jos.

Testarea ustensilelor:

1. Umpleți un recipient rezistent la microunde cu 1 cană de apă rece (250 ml) folosind ustensila respectivă.
2. Preparați la putere maximă timp de 1 minut.
3. Apoi atingeți ușor ustensila. Dacă ustensila este caldă, nu o utilizați în cuptorul cu microunde.
4. Nu depășiți timpul de preparare de 1 minut.

## Materiale care pot fi utilizate în cuptorul cu microunde

Ustensile	Observații
Vas pentru rumenire	Respectați instrucțiunile producătorului. Partea inferioară a vasului pentru rumenire trebuie să aibă cel puțin 3/16 inch (5 mm) deasupra plăcii rotative. Utilizarea incorectă poate conduce la spargerea plăcii rotative.
Veselă	Doar veselă rezistentă la microunde. Respectați instrucțiunile producătorului. Nu utilizați veselă fisurată sau spartă.
Borcane din sticlă	Scoateți întotdeauna capacul. Utilizați doar pentru încălzirea preparatului. Majoritatea borcanelor din sticlă nu sunt rezistente la căldură și se pot sparge.
Articole din sticlă	Utilizați doar obiectele din sticlă pentru cuptor rezistente la căldură. Asigurați-vă că nu există componente metalice. Nu utilizați veselă fisurată sau spartă.
Pungi de gătit pentru cuptor	Respectați instrucțiunile producătorului. Nu închideți cu o clemă metalică. Faceți găuri pentru a permite ieșirea aburului.
Farfurii și cești din hârtie	Utilizați doar pentru preparare de scurtă durată/încălzire. Nu lăsați cuptorul nesupravegheat în timpul preparării.
Prosoape din hârtie	Utilizați-le pentru acoperirea preparatelor pentru reîncălzire și absorbția grăsimii. Utilizați-le doar pentru o durată scurtă de preparare, supraveghind cuptorul în tot acest timp.
Hârtie pergament	Utilizați drept acoperire, pentru a preveni murdărirea sau aburirea.
Plastic	Doar plastic rezistent la microunde. Respectați instrucțiunile producătorului. Acesta trebuie etichetat „rezistent la microunde”. Unele recipiente din plastic se înmoaie pe măsură ce mâncarea se încălzește. „Pungile de fierbere” și pungile din plastic închise ermetic trebuie despicate, înțepate sau aerisite conform instrucțiunilor de pe ambalaj.
Folie de plastic	Doar folie rezistentă la microunde. Utilizați doar pentru a acoperi alimentele în timpul preparării, pentru a reține umiditatea. Asigurați-vă că folia din plastic nu atinge preparatele.
Termometre	Doar termometre rezistente la microunde (termometre pentru carne și prăjituri).
Hârtie cerată	Utilizați drept capac pentru a evita stropirea și pentru a reține umiditatea.

## Materiale care nu pot fi utilizate în cuptorul cu microunde

Ustensile	Observații
Tavă din aluminiu	Poate genera un arc electric. Transferați alimentele într-un vas rezistent la microunde.
Recipient din carton cu mâner metalic	Poate genera un arc electric. Transferați alimentele într-un vas rezistent la microunde.
Ustensile metalice sau cu conținut metalic	Metalul protejează preparatele de energia microundelor. Metalul poate genera un arc electric.
Sârmulițe din metal	Pot genera un arc electric și ar putea provoca un incendiu în cuptor.
Pungi de hârtie	Se pot aprinde în cuptor.
Burete de plastic	Buretele de plastic se poate topi sau poate contamina lichidul din interior atunci când este expus la temperaturi înalte.
Lemn	Lemnul se va usca dacă este folosit în cuptorul cu microunde și se poate crăpa sau rupe.

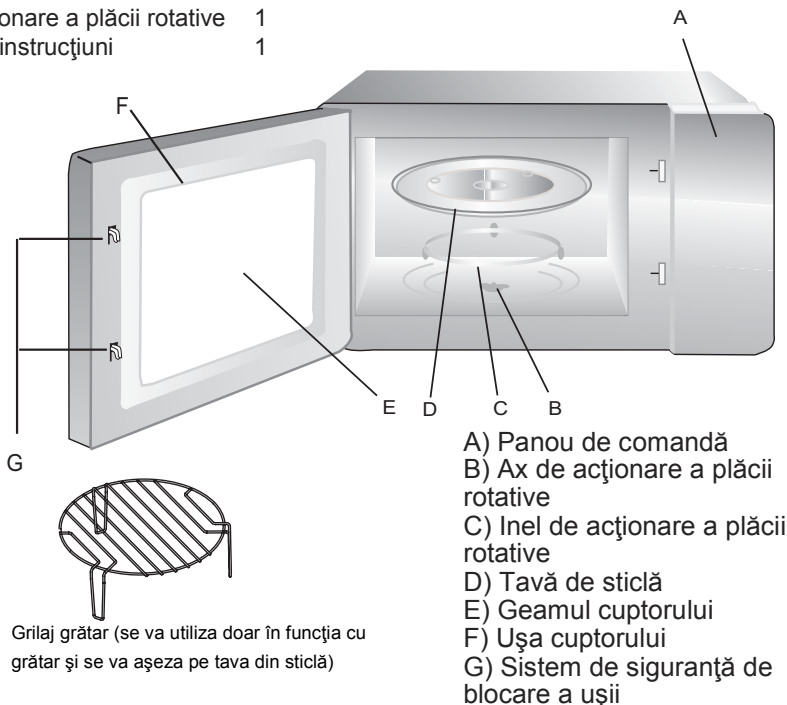
# PREZENTARE GENERALĂ

## Denumirea componentelor și a accesoriilor cuptorului

Scoateți cuptorul și toate materialele din cutie și din interiorul cuptorului.

Cuptorul dumneavoastră este furnizat cu următoarele accesorii:

Tava de sticlă	1
Inel de acționare a plăcii rotative	1
Manual cu instrucțiuni	1



## Instalarea plăcii rotative

Butuc (în partea inferioară)

Tava de sticlă

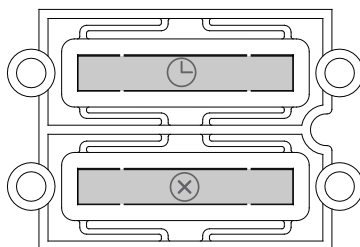
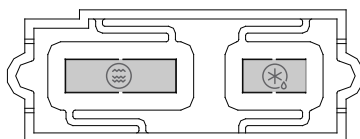
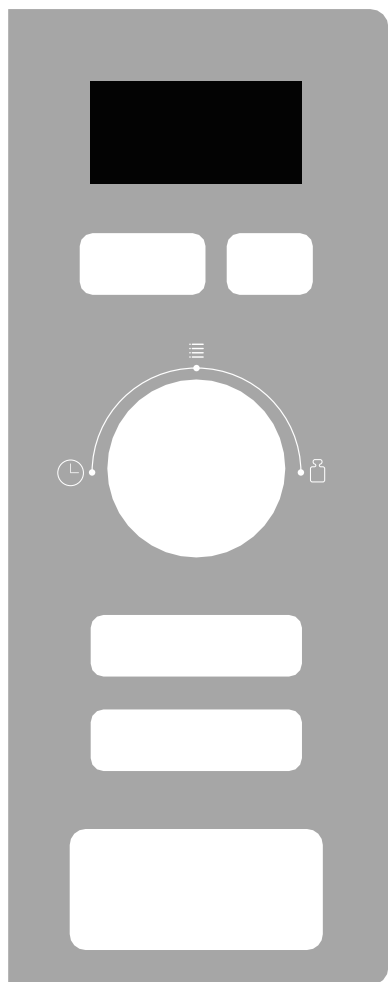
Ax de acționare a plăcii rotative

Inel de acționare a plăcii rotative

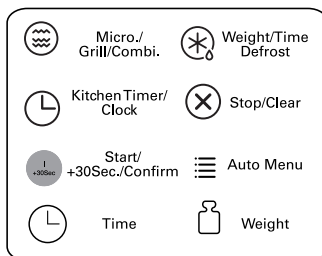
- Nu așezați niciodată tava de sticlă cu fața în jos. Tava de sticlă nu trebuie niciodată blocată.
- Atât tava de sticlă, cât și inelul de acționare trebuie utilizate întotdeauna în timpul preparării.
- Toate preparatele și recipientele cu mâncare sunt așezate întotdeauna pe tava de sticlă pentru preparare.
- Dacă tava de sticlă sau inelul de acționare se fisurează sau se sparg, contactați cel mai apropiat centru de service autorizat.



# Panou de comandă



## Instrucțiune:



# INSTALARE

1. Aparatul poate fi instalat într-un dulap de 60 cm montat pe perete.
2. Aparatul este livrat cu un cablu de alimentare și o priză Schuko sau cu un cablu de alimentare cu trei poli și borne libere.
3. Aparatul trebuie conectat numai la o priză împământată instalată corespunzător.
4. Tensiunea de alimentare trebuie să corespundă tensiunii specificate pe plăcuța cu date tehnice.
5. Priza trebuie instalată și cablul de conectare trebuie înlocuit numai de un electrician calificat. În cazul în care priza nu mai este accesibilă după instalare, pe partea de instalare trebuie să existe un întrerupător multipolar cu o distanță între contacte de cel puțin 3 mm.
6. Nu trebuie utilizate adaptoare, benzi cu mai multe căi și cabluri de prelungire. Supraîncărcarea poate prezenta risc de incendiu.

**Suprafața accesibilă se poate  
înfierbânta în timpul  
funcționării.**



# Instrucțiuni de instalare

## Citiți cu atenție manualul înainte de instalare

### Vă rugăm să rețineți

#### Conectarea la rețeaua de alimentare cu energie electrică

Dulapul montat nu trebuie să aibă un perete posterior în spatele aparatului. Trebuie să păstrați un spațiu între perete și baza unității de deasupra. Dimensiunea spațiului respectiv ar putea fi menționată în schemele de montaj. Înălțime minimă de instalare: 85 cm.

Nu acoperiți orificiile de admisie și de aerisire.

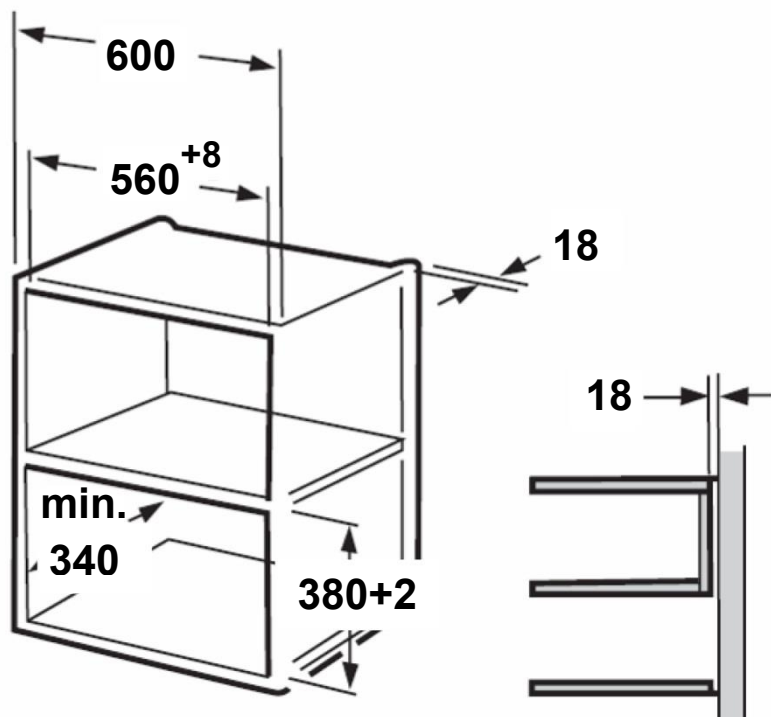
#### Notă:

Nu trageți de cablul de alimentare și nu îl îndoiți.

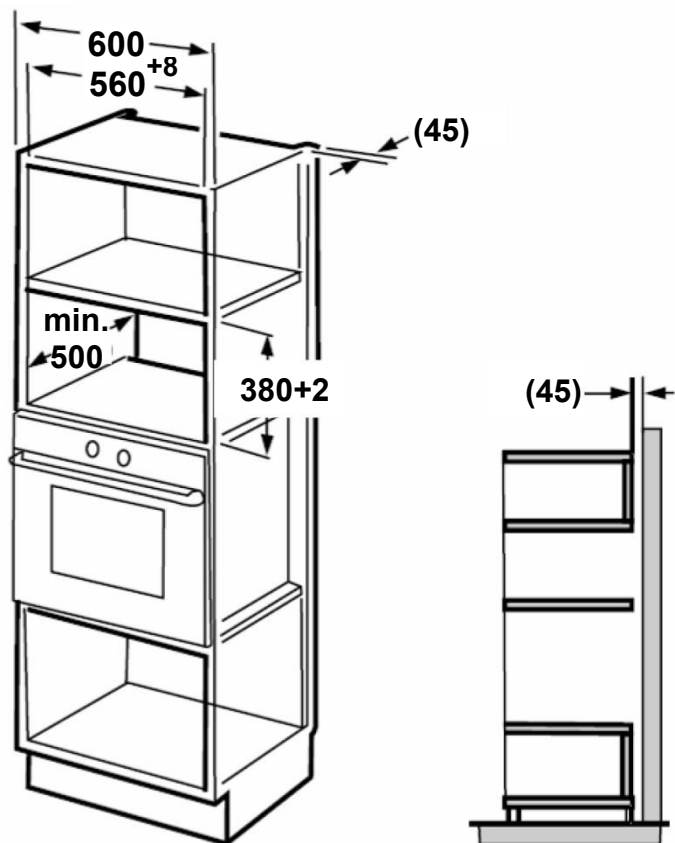
Nu folosiți sub suprafața de lucru și nu vărsați din recipient pe suprafața pe care este instalat aparatul.

## A. Cerințe privind dulapul de instalare

### 1.



2.

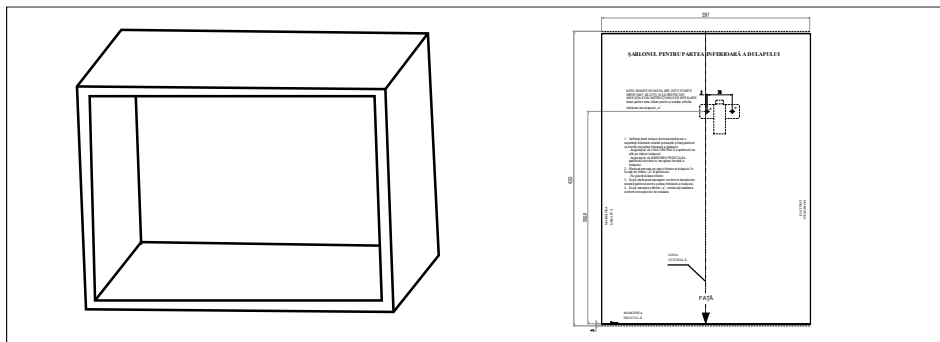


**Notă:**

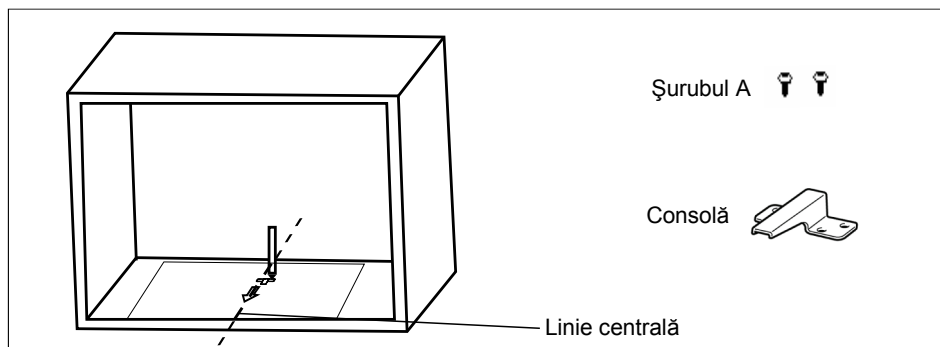
În ambele moduri de instalare, sunt necesare consola și șablonul pentru partea inferioară a dulapului.

## B. Pregătirea dulapului

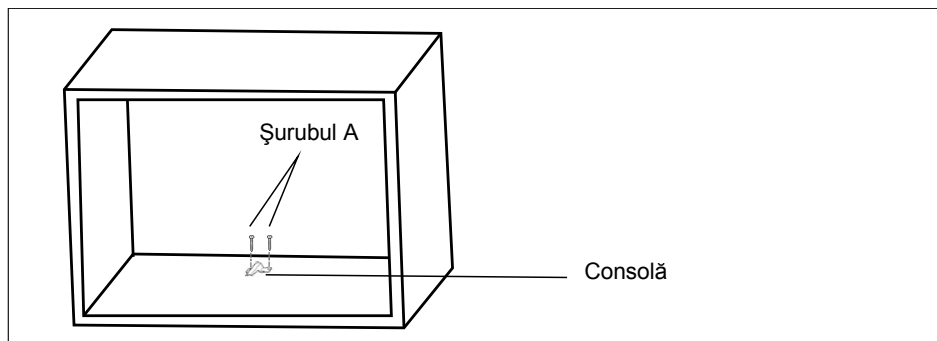
1. Citiți instrucțiunile de pe ȘABLONUL PENTRU PARTEA INFERIOARĂ A DULAPULUI, așezați șablonul pe partea inferioară a dulapului.



2. Efectuați marcaje în partea inferioară a dulapului pe direcția marcajelor „a” ale șablonului



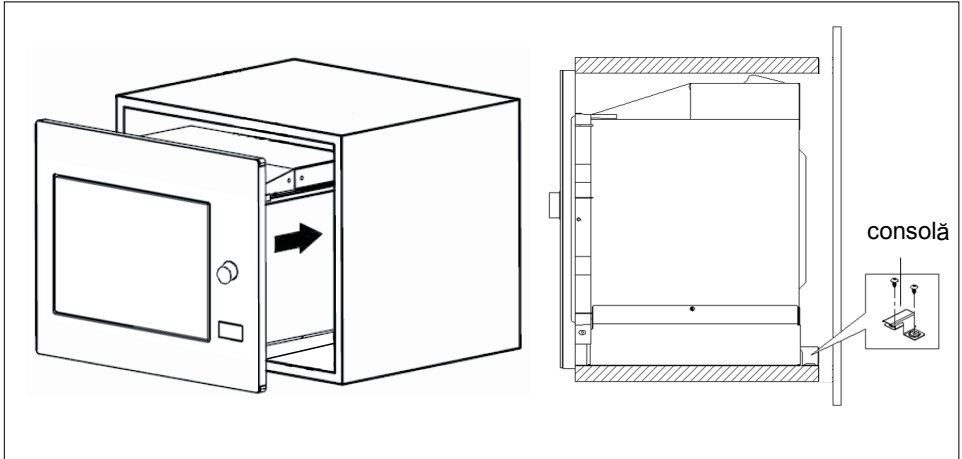
3. Scoateți șablonul pentru dulapul inferior și fixați consola cu șurubul A.



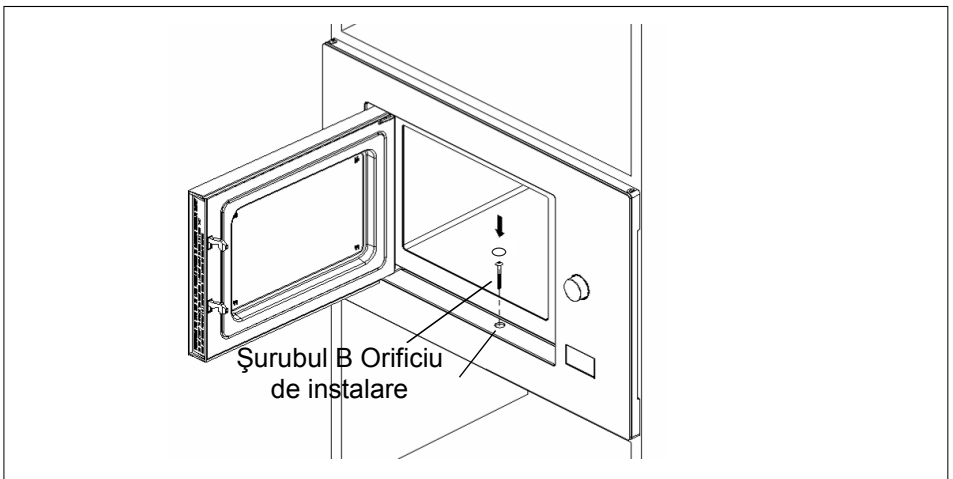
## C. Instalarea cuptorului

### 4. Montarea cuptorului în dulap

- Asigurați-vă că partea din spate a cuptorului este fixată cu ajutorul consolei.
- Nu trageți de cablul de alimentare și nu îl îndoțiți.



5. Deschideți ușa, fixați cuptorul în dulap cu șurubul B, în orificiul de instalare. Apoi, fixați capacul de plastic Trim-kit în orificiul de instalare.




# FUNȚIONARE

## 1. Setarea ceasului

Atunci când cuptorul cu microunde este alimentat electric, pe afișaj apare „0:00”, iar avertizorul sonor emite o alarmă.

1) Apăsați „**Kitchen Timer/Clock**” de două ori pentru a selecta funcția de ceas; cifrele orei vor clipi.


---

2) Rotiți butonul „” pentru a regla cifrele orei în intervalul 0–23.

---

3) Apăsați butonul „**Kitchen Timer/Clock**”, cifrele minutelor vor clipi.

---

4) Rotiți butonul „” pentru a regla cifrele minutelor în intervalul 0–59.

---


5) Apăsați butonul „**Kitchen Timer/Clock**” pentru a finaliza setarea ceasului. „:” va clipi și se aprinde ora.

Notă: 1) Dacă ceasul nu este reglat, acesta nu va funcționa la pornirea cuptorului.


2) În timpul procesului de reglare a ceasului, dacă apăsați pe „**Stop/Clear**”, cuptorul va reveni automat la starea anterioară.

## 2. Prepararea la microunde

Apăsați „**Micro./Grill/Combi.**” o dată, pe afișaj va apărea „P100”. Apăsați

„**Micro./Grill/Combi.**” în mod repetat sau rotiți „” pentru a alege puterea dorită și

pe afișaj apare „P100”, „P 80”, „P 50”, „P 30”, „P 10”, „G”, „C-1” sau „C-2” pentru fiecare apăsare. Apoi, apăsați „**Start/+30Sec./Confirm**” pentru a confirma și rotiți


„” pentru a seta durata de preparare de la 0:05 la 95:00. Apăsați din nou

„**Start/+30Sec./Confirm**” pentru a începe prepararea.

Exemplu: Dacă doriți să folosiți 80% din nivelul de putere a microundelor pentru a prepara timp de 20 de minute, puteți utiliza cuptorul urmând pașii de mai jos.

1) Apăsați „**Micro./Grill/Combi.**” o dată, pe afișaj apare „P100”.


---

2) Apăsați „**Micro./Grill/Combi.**” din nou sau rotiți „” pentru a alege 80% din nivelul de putere a microundelor.

---

3) Apăsați „**Start/+30Sec./Confirm**” pentru a confirma și pe afișaj apare „P 80”.

---

4) Rotiți „” pentru a regla durata de preparare până apare „20:00” pe afișajul cuptorului.

5) Apăsăți „Start/+30Sec./Confirm” pentru a începe prepararea.

Notă: cantitățile treptate pentru timpul de reglare a comutatorului de codificare sunt următoarele:



- 0---1 min : 5 secunde
- 1---5 min : 10 secunde
- 5---10 min : 30 secunde
- 10---30 min : 1 minut
- 30---95 min : 5 minute

„Micro./Grill/Combi.” Instrucțiuni privind tabloul de comandă

Comandă	Afișaj	Putere microunde	Putere funcție Grill
1	P100	100%	
2	P 80	80%	
3	P 50	50%	
4	P 30	30%	
5	P 10	10%	
6	G	0%	100%
7	C-1	55%	45%
8	C-2	36%	64%

### 3. Prepararea cu funcția Grill sau Combi

Apăsăți „Micro./Grill/Combi.” o dată, pe afișaj va apărea „P100” și apăsați

„Micro./Grill/Combi.” în mod repetat sau rotiți „” pentru a alege puterea dorită și pe afișaj apare „P100”, „P 80”, „P 50”, „P 30”, „P 10”, „G”, „C-1” sau „C-2” pentru fiecare apăsare. Apoi, apăsați „Start/+30Sec./Confirm” pentru a confirma și rotiți „” pentru


a regla timpul de preparare între 0:05 și 95:00 Apăsăți „Start/+30Sec./Confirm” din nou pentru a începe prepararea.

Exemplu: Dacă doriți să folosiți 55% din nivelul de putere a microundelor și 45% din nivelul de putere a funcției Grill (C-1) pentru a prepara timp de 10 minute, puteți utiliza cuptorul urmând pașii de mai jos.



1) Apăsați „Micro./Grill/Combi.” o dată, pe afișaj va apărea " P100 ".


---

2) Apăsați „Micro./Grill/Combi.” de patru ori sau rotiți „” pentru a alege modul Combi 1.

---

3) Apăsați „Start/+30Sec./Confirm” pentru a confirma și pe afișaj apare „C-1”.

---

4) Rotiți „” pentru a regla durata de preparare până apare „10:00” pe afișajul cuptorului.

---


5) Apăsați „Start/+30Sec./Confirm” pentru a începe prepararea.

Notă: La trecerea a jumătate din durata de preparare cu funcția Grill, cuptorul emite o alarmă sonoră de două ori, ceea ce este normal. Pentru un efect îmbunătățit al funcției Grill asupra alimentelor, ar trebui să rotiți alimentele, să închideți ușa și apoi să apăsați pe „Start/+30Sec./Confirm” pentru a continua prepararea. În lipsa unei operațiuni, cuptorul va continua să funcționeze.

#### 4. Pornire rapidă

1) În modul de așteptare, apăsați pe „Start/+30Sec./Confirm” pentru a începe să gătiți 30 de secunde la 100% din nivelul de putere; fiecare apăsare suplimentară va crește cu 30 de secunde durata de preparare, până la o valoare maximă de 95 de minute.


2) În modul de preparare la microunde, preparare la grătar, preparare combinată sau decongelare, fiecare apăsare pe „Start/+30Sec./Confirm” poate crește durata de preparare cu 30 de secunde.

3) În modul de așteptare, rotiți „” spre stânga pentru a seta durata de preparare la 100% din nivelul de putere a microundelor. După ce ați selectat durata de preparare, apăsați „Start/+30Sec./Confirm” pentru a începe prepararea.

#### 5. Decongelarea în funcție de greutate

1) Apăsați pe „Weight/Time Defrost” o singură dată și pe afișajul cuptorului va apărea „dEF1”.


---

2) Rotiți „” pentru a selecta greutatea alimentelor, între 100 și 2000 g.


---

3) Apăsați „Start/+30Sec./Confirm” pentru a începe decongelarea.

## 6. Decongelare în funcție de timp



- 1) Apăsați pe „**Weight/Time Defrost**” de două ori și pe afișajul cuptorului va apărea „dEF2”.
- 2) Rotiți butonul „” pentru a selecta timpul de decongelare. Timpul MAXIM este de 95 de minute.
- 3) Apăsați „**Start/+30Sec./Confirm**” pentru a începe decongelarea. Puterea de decongelare este P 30 și nu trebuie să fie modificată.

## 7. Cronometru de bucătărie



- 1) Apăsați „**Kitchen Timer/Clock**” o dată și pe afișajul cuptorului va apărea 00:00.
- 2) Rotiți butonul „” pentru a introduce timpul corect. (Timpul maxim de preparare este de 95 de minute.)
- 3) Apăsați „**Start/+30Sec./Confirm**” pentru a confirma setarea.
- 4) La atingerea timpului de preparare, avertizorul sonor emite 5 alarme.  
Dacă ceasul a fost setat (sistem de 24 de ore), pe afișaj va apărea ora curentă.

Notă: Timpul de preparare este diferit de sistemul de 24 de ore. Cronometrul de bucătărie este un temporizator.

## 8. Auto Menu

- 1) Rotiți „” spre dreapta pentru a alege meniul și pe afișaj vor apărea meniurile de la „A-1” la „A-8”.
- 2) Apăsați „**Start/+30Sec./Confirm**” pentru a confirma.
- 3) Rotiți „” pentru a alege greutatea implicită conform meniului.
- 4) Apăsați „**Start/+30Sec./Confirm**” pentru a începe prepararea.

Exemplu: Dacă doriți să folosiți „Meniul auto” pentru a prepara pește cu o greutate de 350 g.

- 1) Rotiți butonul „” în sens orar până apare „A-6” pe afișaj.
- 2) Apăsați „**Start/+30Sec./Confirm**” pentru a confirma.
- 3) Rotiți „” pentru a selecta greutatea peștelui până ce pe afișaj apare valoarea „350”.
- 4) Apăsați „**Start/+30Sec./Confirm**” pentru a începe prepararea.

Tabel cu informații privind prepararea

Meniu	Greutate	Afișaj
A-1 Pizza	200 g	200
	400 g	400
A-2 Carne	250 g	250
	350 g	350
	450 g	450
A-3 Legume	200 g	200
	300 g	300
	400 g	400
A-4 Paste	50 g (cu 450 ml apă rece)	50
	100 g (cu 800 ml apă rece)	100
A-5 Cartofi	200 g	200
	400 g	400
	600 g	600
A-6 Pește	250 g	250
	350 g	350
	450 g	450
A-7 Băuturi	1 cană (120 ml)	1
	2 căni (240 ml)	2
	3 căni (360 ml)	3
A-8 Popcorn	50 g	50
	100 g	100


## 9. Prepararea în mai multe etape

Se pot regla maxim 2 etape de preparare. Atunci când se dorește prepararea în etape multiple, dacă o etapă presupune decongelarea, aceasta trebuie selectată prima în mod automat.

Exemplu: Dacă doriți să decongeleți alimentele timp de 5 minute și apoi să le preparați la o putere de 80% a cuptorului cu microunde timp de 7 minute, urmați pașii de mai jos:

1) Apăsăți pe „**Weight/Time Defrost**” de două ori și pe afișajul cuptorului va apărea „dEF2”.


---

2) Rotiți butonul „” pentru a selecta timpul de decongelare, până când pe afișaj apare „5:00”.

---

3) Apăsăți „**Micro./Grill/Combi**” o dată, pe afișaj apare „P100”.


---

4) Apăsăți „**Micro./Grill/Combi**” din nou sau rotiți „” pentru a alege 80% din nivelul de putere a microundelor.

---

5) Apăsăți „**Start/+30Sec./Confirm**” pentru a confirma și pe afișaj apare „P 80”.

---

6) Rotiți „” pentru a regla durata de preparare până apare „7:00” pe afișajul cuptorului.

---


7) Apăsăți „**Start/+30Sec./Confirm**” pentru a începe prepararea și avertizorul sonor va emite o alarmă pentru prima etapă, afișându-se numărătoarea inversă a duratei de decongelare. La începerea celei de-a doua etape de preparare, avertizorul sonor va emite o altă alarmă. La finalizarea preparării, avertizorul sonor emite cinci alarme.

## 10. Funcția de interogare

1) În modurile de preparare la microunde, Grill sau Combi, prin apăsarea tastei „**Micro./Grill/Combi**”, va fi afișată puterea curentă timp de 3 secunde. După 3 secunde, cuptorul va reveni la starea anterioară.

2) În modul de preparare, apăsăți pe „**Kitchen Timer/Clock**” pentru a afla ora și aceasta va fi afișată timp de 3 secunde.

## 11. Funcția de blocare pentru copii

Blocare: În modul de așteptare, apăsăți „**Stop/Clear**” timp de 3 secunde și se va auzi un semnal sonor lung, care va indica intrarea în modul de blocare pentru copii.  se va aprinde și pe afișaj apare ora curentă dacă a fost setată. În caz contrar, pe afișaj apare „**[-] [-] [-]**”.

Dezactivarea funcției de blocare: În modul blocare, prin apăsarea tastei „**Stop/Clear**” timp de 3 secunde, cuptorul va emite un sunet lung care va confirma dezactivarea modului de blocare pentru copii.

## GHID DE REMEDIERE A DEFECȚIUNILOR

<b>Normal</b>	
Microundele cuptorului interferează cu recepția semnalului TV	Recepția semnalului radio și TV poate avea interferențe în timpul utilizării cuptorului. Aceasta este similară cu interferența în cazul aparatelor mici, precum mixerul, aspiratorul, ventilatorul. Acest lucru este normal.
Intensitatea luminii cuptorului este redusă	În modul de preparare cu o putere redusă a microundelor, lumina cuptorului poate scădea în intensitate. Acest lucru este normal.
Abur acumulat pe ușă, aerul cald iese prin orificiile de ventilație	În timpul preparării, este posibil să iasă abur din preparate. Acesta este evacuat în mare parte prin orificiile de ventilație. Cu toate acestea, o parte se poate acumula și în zonele reci, cum ar fi pe ușă. Acest lucru este normal.
Cuptorul este pornit din greșeală, fără preparate în el.	Nu este permisă pornirea cuptorului fără preparate în interior. Este foarte periculos.

<b>Problemă</b>	<b>Cauză posibilă</b>	<b>Soluție</b>
Cuptorul nu pornește.	(1) Cablul de alimentare nu este conectat.	Scoateți ștecărul din priză. Introduceți din nou după 10 secunde.
	(2) Siguranța sau disjunctorul funcționează neașteptat.	Înlocuiți siguranța sau resetați disjunctorul (reparația se realizează doar de către personalul avizat al companiei noastre)
	(3) Probleme cu priza.	Testați priza conectând alte aparate la ea.
Cuptorul nu încălzește.	(4) Ușa nu este închisă bine.	Închideți bine ușa.

### ELIMINAREA

Acest simbol prezent pe produs sau pe ambalaj semnifică faptul că aparatul respectiv nu trebuie tratat ca un deșeu menajer obișnuit. Prin eliminarea corespunzătoare a aparatului veți contribui la prevenirea consecințelor negative asupra mediului și sănătății.

Informații suplimentare despre reciclarea aparatului sunt disponibile la autoritatea competentă, la serviciul local de eliminare a deșeurilor sau la distribuitorul aparatului.

Eliminați aparatul, care trebuie aruncat, printr-un punct special de colectare a deșeurilor pentru dispozitive electrice și electronice.



# SERVICIUL DE ASISTENȚĂ PENTRU CLIEȚI

Consultați adresa de contact de pe site-ul nostru: [www.franke.com](http://www.franke.com)

## DATE TEHNICE

Model:	FMW 20 SMP G XS / FSL 20 MW XS / FSL 20 MW BK
Tensiune nominală:	230 V~50 Hz
Putere nominală de intrare (microunde):	1250 W
Putere nominală de ieșire (microunde):	800 W
Putere nominală de intrare (grill):	1000 W
Capacitate cuptor:	20 l
Diametru placă rotativă:	Ø 245 mm
Dimensiuni exterioare:	595 x 343,5 x 388 mm
Greutate netă:	Aprox. 15 kg

## CONSUMUL DE ENERGIE

Informații despre produs pentru consumul de energie și timpul maxim pentru a ajunge la modul de consum redus aplicabil.

---

Modul standby	0,8 W
---------------	-------

---

Timpul maxim necesar pentru ca cuptorul cu microunde să atingă automat modul sau condiția de putere scăzută aplicabilă.	20 de minute
---	--------------

---

Перед використанням мікрохвильової печі уважно прочитайте Інструкцію з експлуатації та техніки безпеки.

Зберігайте Інструкцію для подальшого використання.

Виробник не несе відповідальності за будь-які пошкодження, які можуть виникнути внаслідок неправильного встановлення та нецільового або неналежного використання приладу.

Щоб забезпечити електричну безпеку печі, приєднайте її до системи заземлення відповідно до чинних нормативів.

Щоб забезпечити безпечну та ефективну роботу цього електричного приладу:

- Звертайтеся лише до авторизованих сервісних центрів.
- Не змінюйте жодних технічних характеристик приладу.

Цим приладом можуть користуватися діти старше 8 років і особи з обмеженими фізичними, сенсорними або розумовими можливостями, або такі, що не володіють достатніми знаннями й уміннями, якщо вони перебувають під доглядом, або якщо вони проінструктовані щодо безпечного використання приладу й усвідомлюють пов'язану з ним небезпеку. Не дозволяйте дітям гратися з приладом. Очищення та обслуговування приладу не повинно здійснюватися дітьми без нагляду дорослих.

Цей прилад не є іграшкою.

Не залишайте дітей без нагляду біля приладу.

Не дозволяйте дітям торкатися приладу або його елементів керування під час або одразу після його використання.

**УВАГА:** Щоб уникнути небезпечних ситуацій внаслідок непередбачуваного скидання термовимикача, цей прилад не слід підключати до електромережі через зовнішні регулюючі пристрої, такі як таймер, або підключати до електромережі, живлення в якій регулярно вмикається і вимикається комунальною службою.

Переконайтеся, що прилад встановлений таким чином, щоб можна було від'єднати його від електромережі, а відстань розмикання контактів є достатньою, щоб забезпечити повне відключення електроживлення в умовах перенапруги категорії III. Прилад повинен підключатися через роз'єднувальний пристрій з жорсткою електропроводкою, змонтованою відповідно до правил прокладки електропроводки.

Використовуйте лише датчик температури, рекомендований для цієї печі.

Не встановлюйте прилад за декоративними дверцятами, оскільки це може призвести до перегріву.

**УВАГА:** Небезпека опіків!

Прилад нагрівається під час роботи. Слід бути обережними, та уникати контакту з нагрівальними елементами всередині печі. Не залишайте дітей віком до 8 років поряд з приладом без нагляду.

**Небезпека опіків!**

Кінець ручки дверцят може бути більш гарячим через гаряче повітря, що пропускається.

Завжди стежте за тим, щоб ручки управління знаходилися у вимкненому положенні, коли піч не використовується.

**УВАГА:** Щоб уникнути ризику ураження електричним струмом, обов'язково вимикайте прилад перед заміною лампочки.



Не використовуйте жорсткі абразивні миючі засоби або гострі металеві скребки для чищення скляних дверцят печі / скла навісних кришок варильної поверхні (якщо потрібно), оскільки вони можуть подрпати поверхню, що, у свою чергу, може призвести до розколювання скла.

Не використовуйте пароочищувачі або очищувачі високого тиску.

Якщо шнур живлення пошкоджено, для уникнення небезпеки необхідно, щоб його замінив виробник, спеціаліст з обслуговування або інший кваліфікований спеціаліст.

Увага: Рідину та інші продукти не можна нагрівати у герметично закритому посуді, оскільки він може вибухнути.

Увага: Виконання будь-якої операції з ремонту чи технічного обслуговування, що передбачає знімання будь-якої кришки, яка захищає від дії мікрохвильової енергії, є небезпечним для будь-кого, окрім підготовленого фахівця.

Тримайте прилад і його шнур в недоступному місці для дітей, молодших 8 років.

Використовуйте лише посуд, придатний для використання в мікрохвильових печах.

Прилад потрібно регулярно чистити та видаляти залишки їжі.

При нагріванні їжі у пластиковому або паперовому посуді стежте за тим, щоб в печі ніщо не загорілось.

При виникненні диму вимкніть прилад або витягніть штепсель з розетки і не відчиняйте дверцята, поки полум'я не згасне.

У мікрохвильовій печі не слід нагрівати яйця в шкарлупі та цілі зварені вкруту яйця, оскільки вони можуть вибухнути, навіть після вимкнення нагрівання мікрохвилями.

Цей прилад призначений для використання в побутових та схожих умовах, зокрема:

- в кухнях для персоналу в магазинах, офісах та інших робочих місцях;
- клієнтами у готелях, мотелях та інших типах житлових приміщень;
- у фермерських будинках;
- у міні-готелях.

Якщо шнур живлення пошкоджено, для уникнення небезпеки необхідно, щоб його замінив виробник, спеціаліст з обслуговування або інший кваліфікований спеціаліст.

Якщо не тримати піч у чистоті, це може призвести до пошкодження поверхні, що може негативно вплинути на термін служби приладу і може призвести до виникнення небезпечних ситуацій.

Вміст пляшечок та баночок із дитячим харчуванням необхідно перемішати або збовтати. Щоб уникнути опіків, обов'язково перевірте його температуру, перш ніж давати дитині.

Нагрівання напоїв у мікрохвильовій печі може призвести до вибухового закипання із запізненням, тому брати в руки посуд необхідно дуже обережно.

Під час роботи мікрохвильової печі декоративні дверцята повинні бути відкриті.

Мікрохвильова піч призначена для нагрівання продуктів харчування та напоїв. Сушіння продуктів або одягу та нагрівання грілок, взуття, губок, вологої тканини тощо може призвести до травми, пожежі або займання.

УВАГА: Якщо ущільнювачі дверцят пошкоджені, не використовуйте піч, доки її не відремонтує спеціаліст.

Цей прилад призначений лише для домашнього використання.

Ця піч призначена лише для використання у вмонтованому вигляді. Вона не призначена для використання на стільниці або всередині шафи.

# Для зменшення ризику травмування людей

## Установка із заземленням

### НЕБЕЗПЕКА

*Небезпека ураження електричним струмом.*

Дотик до деяких внутрішніх компонентів може призвести до серйозних травм або смерті. Не розбирайте даний прилад.

### УВАГА

*Небезпека ураження електричним струмом.*

Неправильне заземлення може призвести до ураження електричним струмом. Не підключайте прилад до розетки, доки він не буде правильно встановлений і заземлений.

**Цей прилад повинен бути заземлений.** У разі короткого замикання заземлення зменшує ризик ураження електричним струмом за допомогою перехідного проводу, який відводить електричний струм. Прилад оснащений шнуром з проводом заземлення з відповідною вилкою. Вилку слід вставляти в правильно встановлену і заземлену розетку.

У разі неповного розуміння інструкцій щодо заземлення або виникненні сумнівів щодо правильного заземлення приладу, зверніться до кваліфікованого електрика чи спеціаліста з обслуговування. При необхідності використання подовжувача використовуйте лише 3-провідний подовжувач.

1. Короткий шнур живлення передбачений для зменшення ризиків, пов'язаних з заплутуванням або спотиканням через довгий шнур
2. Якщо встановлено довгий шнур або використовується подовжувач:
  - 1) Зазначені електричні характеристики шнура або подовжувача повинні відповідати, принаймні, електричним характеристикам приладу.
  - 2) Подовжувач повинен бути заземлений 3-жильним шнуром.
  - 3) Довгий шнур повинен бути прокладений таким чином, щоб не перекривати стільницю або стіл, де його можуть потягнути діти, або ж його можна зачепити і витягнути мимоволі.

- Не пересмажуйте їжу.
  - Не використовуйте камеру мікрохвильової печі для зберігання будь-яких предметів.
  - Не зберігайте в мікрохвильовій печі продукти харчування, такі як хліб, печиво тощо.
  - Перед тим як помістити паперові чи пластикові контейнери / пакети в мікрохвильову піч, зніміть з них дротяні затискачі та металеві ручки.
  - Встановлюйте та розміщуйте цю піч строго у відповідності з наведеними інструкціями.
- Не зберігайте та не використовуйте цей прилад на відкритому повітрі.
- Не використовуйте дану піч біля води, у вологому підвалі або біля басейну.
  - Температура контактних поверхонь може піднятися під час роботи приладу.
  - Під час використання поверхні можуть нагріватися.
  - Тримайте шнур подалі від гарячих поверхонь та не закривайте вентиляційні отвори на печі.
  - Не допускайте, щоб шнур живлення вільно звисав над краєм столу або стільниці.

-- Не користуйтеся мікрохвильовою піччю з відкритими дверцятами, оскільки це може призвести до шкідливого опромінення. Важливо, щоб замки захисного блокування не були зламані або пошкоджені.

-- Не розміщуйте між дверцятами та панеллю сторонні предмети, слідкуйте щоб бруд або залишки миючих засобів не накопичувалися на ущільнених поверхнях.

# ОЧИЩЕННЯ

Переконайтеся, що прилад відключений від джерела живлення.

1. Після використання очистіть внутрішню частину печі злегка вологою тканиною.
2. Очистіть аксесуари звичайним способом в мильній воді.
3. Раму дверцят, ущільнення та розташовані поруч частини потрібно ретельно протерти вологою тканиною, якщо вони забруднені.
4. Не використовуйте жорсткі абразивні миючі засоби або гострі металеві скребки для чищення скляних дверцят, оскільки вони можуть подряпати поверхню, що, у свою чергу, може призвести до розколювання скла.
5. Порада щодо очищення--- Для легкого очищення стінок, яких може торкатися їжа, що готується: покладіть половину лимона в миску, додайте 300 мл (1/2 пінти) води і нагрівайте в печі на 100% потужності впродовж 10 хвилин. Протріть піч м'якою сухою тканиною.

## ПОСУД

### УВАГА

#### Небезпека

#### травмування

Особам, окрім спеціально кваліфікованих осіб, небезпечно виконувати будь-яке обслуговування або ремонт, який передбачає зняття кришки, що забезпечує захист від впливу мікрохвильової енергії.

Дивіться інструкції щодо «Матеріалів, які можна та які не слід використовувати в мікрохвильовій печі». Деякий неметалевий посуд є небезпечним для використання в мікрохвильовій печі. Якщо у вас виникли сумніви, ви можете перевірити посуд відповідно до наведеної нижче процедури.

Перевірка посуду:

1. Наповніть контейнер, безпечний для використання в мікрохвильовій печі, 1 склянкою холодної води (250 мл) і помістіть його в мікрохвильову піч разом з посудом, який ви хочете перевірити.
2. Увімкніть піч на максимальну потужність на 1 хвилину.
3. Обережно торкніться посуду: якщо порожній посуд теплий, не використовуйте його для приготування в мікрохвильовій печі.
4. Не вмикайте піч більш ніж на 1 хв.

## Матеріали, які можна використовувати в мікрохвильовій печі

Посуд	Примітки
Термостійкий посуд	Дотримуйтесь інструкцій виробника. Дно жаростійкого посуду повинно бути на відстані не менше 3/16 дюйма (5 мм) над поворотною підставкою. Неправильне використання може призвести до пошкодження поворотної підставки.
Столовий посуд	Тільки для мікрохвильової печі. Дотримуйтесь інструкцій виробника. Не використовуйте посуд з тріщинами або відколами.
Скляні банки	Завжди знімайте кришку. Використовуйте тільки для нагрівання їжі. Більшість скляних банок не є термостійкими і можуть розбитися.
Скляний посуд	Тільки термостійкий скляний посуд призначений для готування в мікрохвильовій печі. Переконайтеся, що він не має металевого оздоблення. Не використовуйте посуд з тріщинами або відколами.
Пакети для приготування в мікрохвильовій печі	Дотримуйтесь інструкцій виробника. Не накривайте металевими кришками. Зробіть прорізи для того, щоб пара могла вільно виходити з пакету
Паперові тарілки і склянки	Використовуйте для короткочасного приготування/тільки для розігрівання їжі. Не залишайте піч без нагляду під час приготування їжі.
Паперові рушники	Використовуйте, щоб накривати їжу для повторного розігрівання і поглинання жиру. Використовуйте для короткочасного приготування їжі та не залишайте піч без нагляду під час приготування їжі.
Пергамент	Використовуйте тільки для накривання, щоб запобігти розбризкуванню, або в якості обгортки для пропарювання.
Пластик	Тільки для мікрохвильової печі. Дотримуйтесь інструкцій виробника. Такий пластик повинен мати напис «Безпечно для мікрохвильової печі». Деякі пластикові контейнери можуть розм'якнутися, коли їжа всередині стає гарячою. «Пакети для кип'ятіння» та щільно закриті пластикові пакети необхідно надірізати, проколоти або зробити отвір відповідно до вказівок на пакеті.
Пластикова упаковка	Тільки для мікрохвильової печі. Використовуйте тільки для накривання їжі під час приготування, щоб зберегти вологу. Пластикова обгортка не повинна торкатись їжі.
Термометр	Тільки ті, що призначені для використання у мікрохвильовій печі (термометри для м'яса та цукерок).
Восковий папір	Використовуйте для накривання, щоб запобігти розбризкуванню і зберегти вологу.

## Матеріали, які не слід використовувати в мікрохвильовій печі

Посуд	Примітки
Алюмінієвий лоток	Може спричинити іскріння. Перекладіть їжу в посуд, призначений для готування в мікрохвильовій печі.
Картонні коробки з металевою ручкою	Може спричинити іскріння. Перекладіть їжу в посуд, призначений для готування в мікрохвильовій печі.
Металевий посуд або посуд з металевим оздобленням	Метал закриває їжу від мікрохвильової енергії. Металеве оздоблення може спричинити іскріння.
Металеві затискачі	Може спричинити іскріння і призвести до займання в печі.
Паперові пакети	Може призвести до займання в печі.
Пінопласт	Пінопласт може розплавитися або забруднити рідину всередині в результаті впливу високої температури.
Деревина	Дерево висихає при використанні в мікрохвильовій печі і може потріскатися.



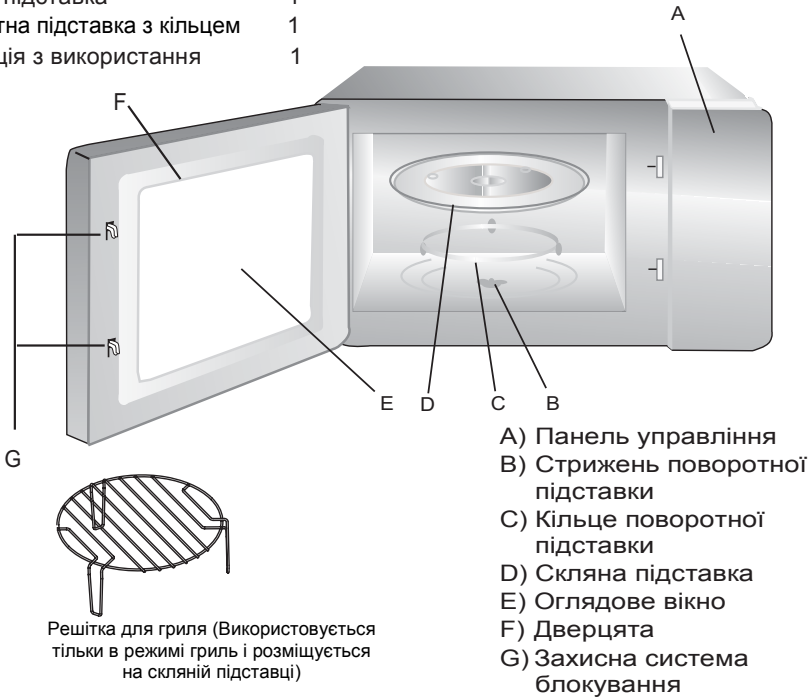
# ОГЛЯД

## Назви деталей та аксесуарів

Витягніть піч і всі матеріали з картонної коробки.

У комплект мікрохвильової печі входять наступні аксесуари:

Скляна підставка	1
Поворотна підставка з кільцем	1
Інструкція з використання	1

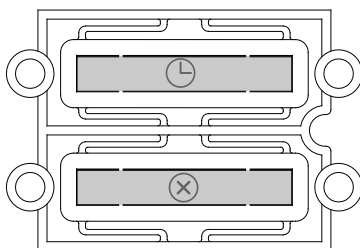
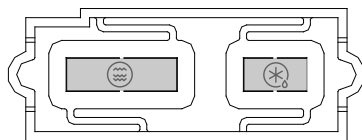
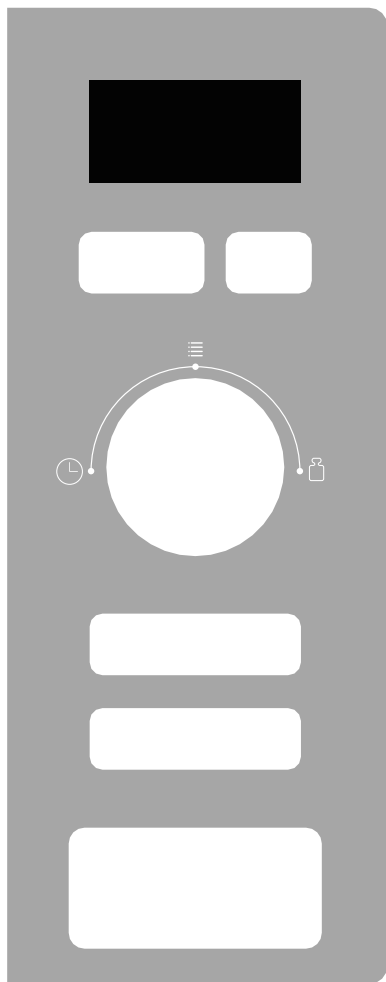


## Установка поворотної підставки






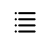




- В жодному разі не встановлюйте скляну підставку у перевернутому положенні. Не блокуйте скляну підставку.
- Під час приготування їжі завжди використовуйте скляну підставку та кільце поворотної підставки.
- Всі продукти харчування і контейнери для їжі потрібно завжди розташовувати на скляній підставці для приготування їжі.
- Якщо скляна підставка або кільце поворотної підставки має тріщини або надломи, зверніться до найближчого авторизованого сервісного центру.

# Панель управління



## Інструкція:

	Micro./ Grill/Combi.		Weight/Time Defrost
	Kitchen Timer/ Clock		Stop/Clear
	Start/ +30Sec./Confirm		Auto Menu
	Time		Weight

## МОНТАЖ

1. Прилад може бути встановлений у шафу шириною 60 см.
2. Прилад постачається з кабелем живлення з штекером Schuko або 3-жильним кабелем живлення з вільними клемми.
3. Прилад має бути під'єднаний лише до правильно встановленої та заземленої розетки.
4. Напруга в мережі повинна відповідати напрузі, зазначеній на паспортній табличці приладу.
5. Встановлювати розетку та замінювати з'єднувальний кабель може виключно кваліфікований електрик. Якщо не передбачається використання вилки через недоступність місця її установки, необхідно встановити всеполюсний роз'єднувач з відстанню між контактами не менше 3 мм.
6. Забороняється використовувати адаптери, багатоканальні розетки та подовжувачі. Перевантаження може стати причиною виникнення пожежі.

**Під час роботи приладу контактна поверхня може нагріватися.**



# Інструкція з монтажу

Будь-ласка, уважно прочитайте дану інструкцію перед початком встановлення приладу

## Зверніть увагу

Електричне підключення

У шафі, в яку вмонтовується прилад, повинна бути відсутня стінка позаду приладу.

Між стіною та основою приладу має бути збережений зазор. Точний розмір зазору можна знайти на діаграмі.

Мінімальна висота встановлення: 85см.

Не закривайте вентиляційні та всмоктувальні отвори.

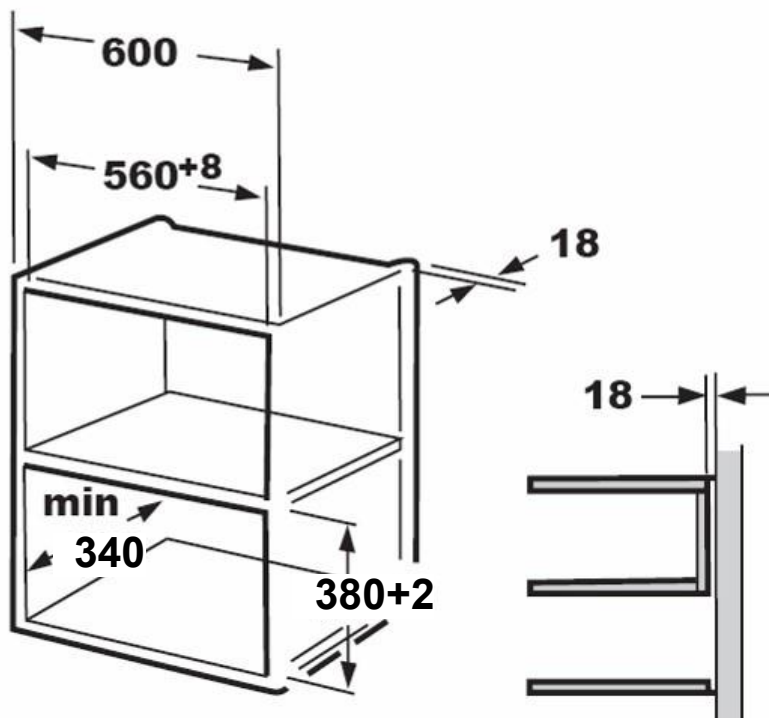
Примітка:

Не передавлюйте та не загинайте кабель живлення.

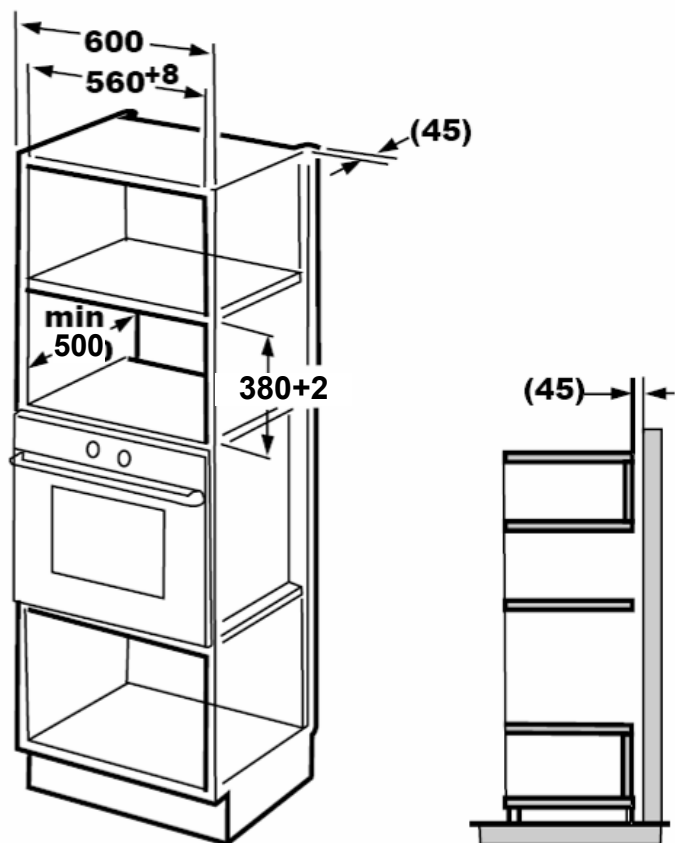
Не використовуйте під робочою поверхнею та не виливайте з ємності на поверхню, де кріпиться прилад.

## А. Вимоги до ніші

1.



2.

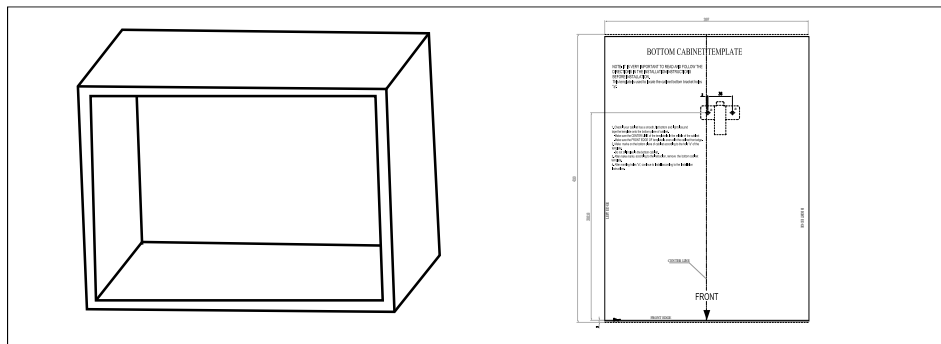


Примітка:

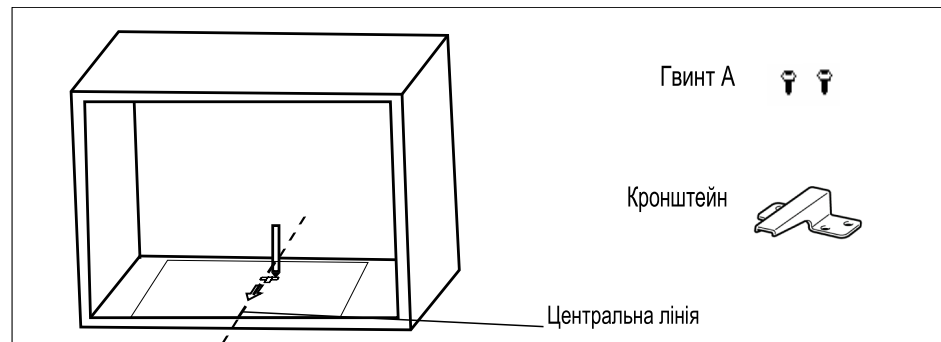
Для встановлення приладу Вам знадобиться кронштейн та трафарет з вказівками щодо встановлення приладу на дно ніші.

## Б. Підготуйте нішу

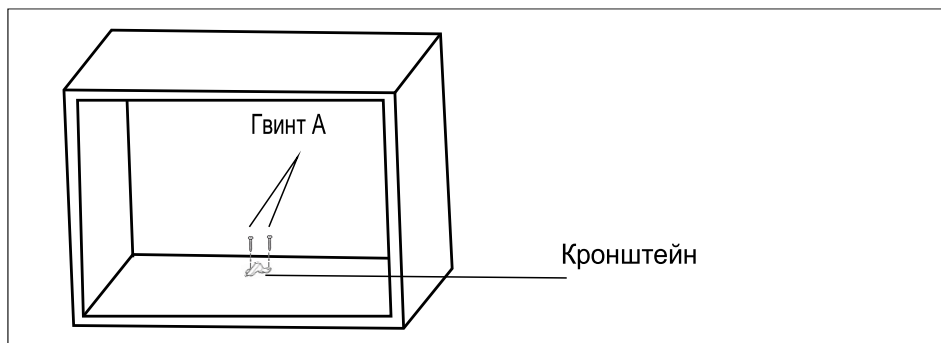
1. Прочитайте вказівки щодо підготовки нижньої частини ніші до встановлення.  
Покладіть трафарет з вказівками щодо встановлення приладу на дно ніші.



2. Зробіть помітки на дні ніші відповідно до вказівок на трафареті.



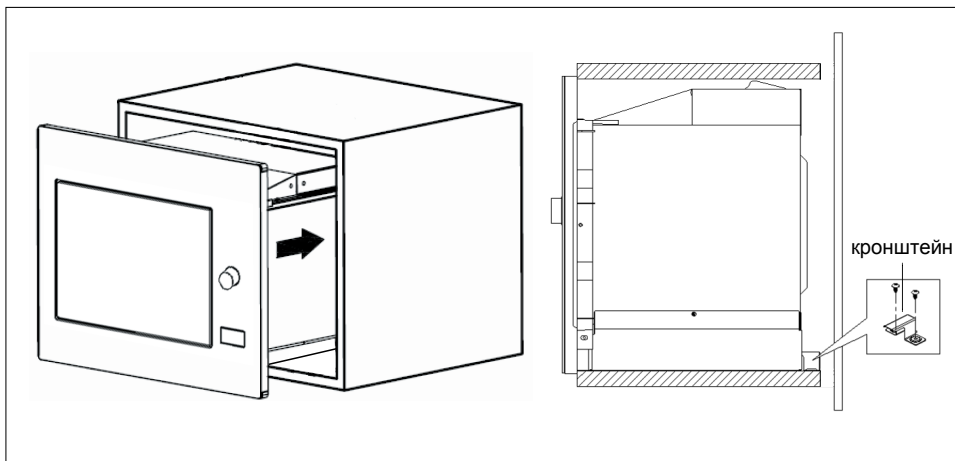
3. Заберіть трафарет з вказівками і закріпіть кронштейн за допомогою гвинтів А.



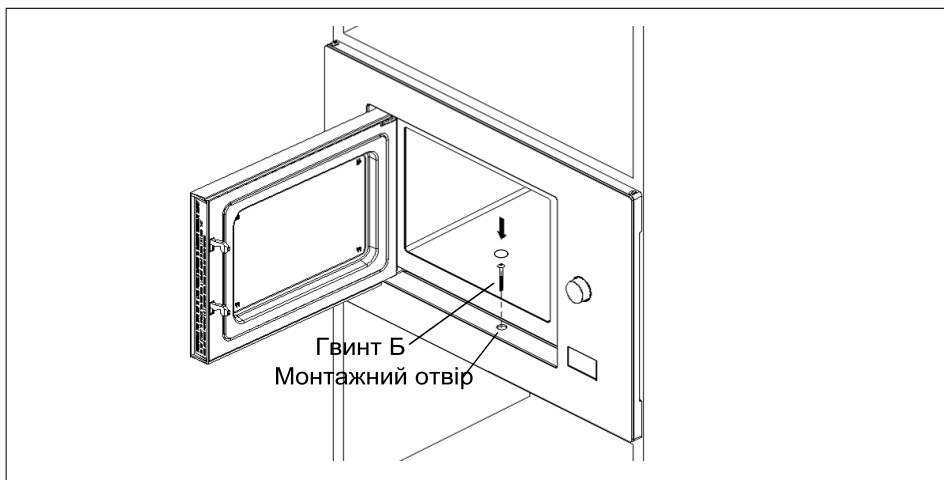
## **В. Встановіть мікрохвильову піч**

### **4. Встановіть мікрохвильову піч у нішу**

- Переконайтеся, що задня частина печі зафіксована кронштейном.
- Не заломлюйте та не перекручуйте кабель живлення.



### **5. Відчиніть дверцята, закріпіть піч в ніші, закрутивши гвинт Б в монтажний отвір. Закрийте монтажний отвір пластиковою заглушкою.**




# ІНСТРУКЦІЯ З ЕКСПЛУАТАЦІЇ

## 1. Налаштування годинника

Після підключення мікрохвильової печі до електромережі на дисплеї з'явиться значення «0:00» і прозвучить звуковий сигнал.

1) Натисніть двічі на кнопку «**Kitchen Timer/Clock**» (Кухонний таймер / годинник), щоб вибрати функцію налаштування годинника, цифри години почнуть блимати.

---

2) Поверніть "  ", щоб виставити годину. Година вводиться в форматі 0–23.

---

3) Натисніть кнопку «**Kitchen Timer/Clock**», почнуть блимати цифри хвилин.

---

4) Поверніть "  ", щоб виставити хвилини. Хвилини вводяться в форматі 0–59.

---


5) Натисніть кнопку «**Kitchen Timer/Clock**», щоб завершити налаштування годинника. Почне блимати «:» і на дисплеї з'явиться час.


**Примітка:** 1) Якщо годинник не налаштовано, він не буде функціонувати при вмиканні живлення.

2) Якщо під час налаштування годинника натиснути кнопку «**Stop/Clean**» (Стоп / Очистити), піч автоматично перейде в попередній стан.

## 2. Приготування у мікрохвильовому режимі

Натисніть кнопку «**Micro./Grill/Combi.**» (Мікрохвильовий/Гриль/Комбінований), і після того як на дисплеї з'явиться «P100», натисніть кнопку «**Micro./Grill/Combi.**» кілька разів або


поверніть "  ", щоб вибрати потрібну потужність, при цьому кожному наступному натисканню кнопки відповідатиме повідомлення на дисплеї «P 100», «P 80», «P 50», «P 30», «P 10», «G», «C-1» або «C-2». Натисніть кнопку «**Start/+ 30Sec/Confirm**» (Пуск/+ 30

С/Підтвердити) для підтвердження та поверніть "  " для вибору часу приготування (час має бути в діапазоні 0:05- 95:00). Натисніть кнопку «**Start/+ 30Sec/Confirm**» ще раз, щоб почати приготування.

Приклад: Щоб встановити готування на 20 хвилин при потужності мікрохвильової печі 80%, виконайте наступні дії:

1) Натисніть кнопку «**Micro./Grill/Combi.**», на дисплеї з'явиться напис P100.


---

2) Натисніть кнопку «**Micro./Grill/Combi.**» ще раз або поверніть "  ", щоб обрати потужність мікрохвиль 80%.

---

3) Натисніть кнопку «**Start/+ 30Sec/Confirm**» для підтвердження, на дисплеї з'явиться "P80".



4) Для налаштування часу приготування крутіть "  ", доки на дисплеї не відобразиться "20:00".

5) Натисніть кнопку «**Start/+ 30Sec/Confirm**», щоб почати приготування.

**Примітка:** Значення крокової зміни при налаштуванні часу кодового перемикача наведені нижче:


0---1 хв	:	5 секунд
1---5 хв	:	10 секунд
5---10 хв	:	30 секунд
10---30 хв	:	1 хвилина
30---95 хв	:	5 хвилин


### "Micro./Grill/Combi." (Мікрохвильовий/Гриль/Комбінований) Інструкція з налаштування

Порядок	Дисплей	Потужність мікрохвильової печі	Потужність гриля
1	P100	100%	
2	P80	80%	
3	P50	50%	
4	P30	30%	
5	P10	10%	
6	G	0%	100%
7	C-1	55%	45%
8	C-2	36%	64%

### 3. Приготування в режимі Grill (гриль) або Combi (комбінований)

Натисніть кнопку «**Micro./Grill/Combi.**» (Мікрохвильовий/Гриль/Комбінований), і після того як на дисплеї з'явиться «P100», натисніть кнопку «**Micro./Grill/Combi.**» кілька разів


або поверніть "  ", щоб вибрати потрібну потужність, при цьому кожному наступному натисканню кнопки відповідатиме повідомлення на дисплеї «P 100», «P 80», «P 50», «P 30», «P 10», «G», «C-1» або «C-2». Натисніть кнопку **Start/+**

**30Sec/Confirm**» (Пуск/+ 30 С/Підтвердити) для підтвердження та поверніть "  " для вибору часу приготування (час має бути в діапазоні 0:05- 95:00). Натисніть кнопку «**Start/+ 30Sec/Confirm**» ще раз, щоб почати приготування.

Приклад: Щоб встановити готування на 10 хвилин при потужності мікрохвильової печі 55% та потужності гриля 45% (C-1), виконайте наступні дії:

1) Натисніть кнопку «**Micro/Grill/Combi.**», на дисплеї з'явиться «P100»


---

2) Натисніть кнопку «**Micro/Grill/Combi.**» ще раз або поверніть "  " для вибору комбінованого режиму (Combi. 1).

---

3) Натисніть кнопку «**Start/+ 30Sec/Confirm**» для підтвердження, на дисплеї з'явиться "C-1".

---

4) Для налаштування часу приготування крутіть "  " , доки на дисплеї не відобразиться "10:00".

---


5) Натисніть кнопку «**Start/+ 30Sec/Confirm**», щоб почати приготування.

**Примітка:** Після закінчення половини часу приготування в режимі Гриль мікрохвильова піч подає подвійний звуковий сигнал. Цей сигнал спеціально передбачений. Для кращого приготування їжі на грилі, переверніть продукт і закрийте дверцята, після чого, якщо не буде здійснено ніяких додаткових операцій, піч продовжить приготування.

#### 4. Швидкий старт

1) У режимі очікування натисніть кнопку «**Start / + 30Sec. / Confirm**» (Пуск / + 30 с / Підтвердити) для початку приготування з потужністю 100%, кожне додаткове натискання кнопки буде збільшувати час приготування на 30 секунд аж до досягнення 95 хвилин.


2) У мікрохвильовому режимі приготування, в режимі гриль, комбінованому режимі або в режимі розморожування кожне натискання кнопки «**Start / + 30Sec. / Confirm**» (Пуск / + 30 с / Підтвердити) збільшує тривалість часу приготування на 30 секунд.

3) У режимі очікування поверніть "  " вліво для налаштування тривалості приготування з потужністю 100% в мікрохвильовому режимі, потім натисніть кнопку «**Start / + 30Sec. / Confirm**» (Пуск / + 30 с / Підтвердити) для початку приготування.

#### 5. Розморожування за вагою

1) Натисніть кнопку «**Weight / Time Defrost**» (Розморожування за вагою / часу) один раз. На дисплеї з'явиться напис «dEF1».

---

2) Поверніть "  " для вибору ваги замороженого продукту від 100 до 2000 г.


---

3) Натисніть кнопку «**Start / + 30Sec. / Confirm**» (Пуск / + 30 с / Підтвердити), щоб почати розморожування.

## 6. Розморожування за часом

1) Натисніть кнопку «**Weight / Time Defrost**» (Розморожування за вагою / часу) двічі. На дисплеї з'явиться напис «dEF2».

---


2) Поверніть "  " для налаштування часу розморожування. Максимальний час складає 95 хвилин.

---

3) Натисніть кнопку «**Start / + 30Sec. / Confirm**» (Пуск / + 30 с / Підтвердити), щоб почати розморожування. Розморожування проводиться при потужності P30; цю потужність змінити не можна.

## 7. Кухонний таймер

1) Натисніть кнопку «**Kitchen Timer/Clock**» (Кухонний таймер / годинник). На дисплеї з'явиться «00:00».


2) Для введення потрібного значення таймера поверніть "  ". (Максимальна тривалість готування становить 95 хв.).

3) Натисніть кнопку «**Start / + 30Sec. / Confirm**» (Пуск / + 30 с / Підтвердити), щоб підтвердити налаштування.

4) Після закінчення часу готування п'ять разів прозвучить сигнал зумера. Якщо налаштовано годинник (24-годинний режим), на світлодіодному індикаторі буде показано поточний час.

Примітка: Кухонний час відрізняється від 24-годинного формату, кухонний таймер працює в якості таймера.


## 8. Автоматичне меню

1) Поверніть "  " вправо для вибору меню. На дисплеї з'явиться код від «A-1» до «A-8».

---

2) Натисніть кнопку «**Start / + 30Sec. / Confirm**» (Пуск / + 30 с / Підтвердити) для підтвердження.


---

3) Поверніть "  " для вибору ваги за замовчуванням, як зазначено в таблиці меню.

---

4) Натисніть кнопку «**Start / + 30Sec. / Confirm**» (Пуск / + 30 с / Підтвердити) для початку приготування.


Приклад: Для приготування риби вагою 350 г. в режимі «Автоматичне меню»:

1) Поверніть "  " за годинниковою стрілкою, щоб вибрати код «A-6».

---

2) Натисніть кнопку «**Start / + 30Sec. / Confirm**» (Пуск / + 30 с / Підтвердити) для підтвердження.

---

3) Поверніть "  " для вибору ваги риби «350».

---

4) Натисніть кнопку «**Start / + 30Sec. / Confirm**» (Пуск / + 30 с / Підтвердити) для початку приготування.

## Таблиця автоматичного меню

Меню	Вага	Дисплей
А-1 Піца	200 г	200
	400 г	400
А-2 М'ясо	250 г	250
	350 г	350
	450 г	450
А-3 Овочі	200 г	200
	300 г	300
	400 г	400
А-4 Макарони	50 г (з 450 г холодної води)	50
	100 г (з 800 г холодної води)	100
А-5 Картопля	200 г	200
	400 г	400
	600 г	600
А-6 Риба	250г	250
	350 г	350
	450 г	450
А-7 Напої	1 склянка (120 мл)	1
	2 склянки (240 мл)	2
	3 склянки (360 мл)	3
А-8 Попкорн	50 г	50
	100 г	100


## 9. Багатоетапне приготування

Можна налаштувати приготування максимум в 2 етапи. Якщо при багатоетапному приготуванні один з цих етапів - розморожування, то розморожування повинно проводитися першим етапом.

Приклад: для налаштування розморожування продукту протягом 5 хвилин, і потім його приготування протягом 7 хвилин при потужності мікрохвильової печі 80%, необхідно виконати наступне:

1) Натисніть кнопку «**Weight / Time Defrost**» (Розморожування за вагою / часу) двічі. На дисплеї з'явиться напис «dEF2».


---

2) Для вибору часу розморожування поверніть "  " так, щоб на дисплеї відобразилося «5:00».

---

3) Натисніть кнопку «**Micro./Grill/Combi.**» (Мікрохвильовий/Гриль/Комбінований), на дисплеї з'явиться «P100».


---

4) Натисніть кнопку «**Micro./Grill/Combi.**» (Мікрохвильовий/Гриль/Комбінований) ще раз або поверніть "  " для вибору потужності мікрохвильового режиму 80%.

---

5) Натисніть кнопку «**Start / + 30Sec. / Confirm**» (Пуск / + 30 с / Підтвердити) для підтвердження вибору. На дисплеї відобразиться «P 80».

---

6) Для налаштування часу приготування повертайте "  " до тих пір, поки на дисплеї не з'явиться «7:00».

---


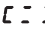
7) Натисніть кнопку «**Start / + 30Sec. / Confirm**» (Пуск / + 30 с / Підтвердити) для початку приготування, після чого прозвучить один сигнал зумера для першого етапу і почнеться відлік часу розморожування. Після закінчення цього часу знову прозвучить один сигнал зумера, що означає початок другого етапу - приготування їжі. Після завершення приготування сигнал зумера пролунає п'ять разів.

## 10. Функція запиту

1) У режимах приготування «Мікрохвильовий», «Гриль» або «Комбінований» натисніть кнопку «**Micro./Grill/Combi.**» (Мікрохвильовий/Гриль/Комбінований). Протягом трьох секунд на дисплеї буде відображатися поточне значення потужності. Через три секунди піч повернеться в початковий стан.

2) У режимі приготування їжі натисніть кнопку «**Kitchen Timer/Clock**» (Кухонний таймер / годинник), щоб дізнатися поточний час. Поточний час буде відображатися на дисплеї протягом трьох секунд

## 11. Функція блокування від дітей

Режим блокування: В режимі очікування натисніть кнопку «**Stop/Clean**» (Стоп / Очистити) протягом 3 секунд, прозвучить довгий звуковий сигнал, що означає активацію функції блокування від дітей. На дисплеї з'явиться символ «» і відобразиться поточний час (якщо встановлено). В іншому випадку на світлодіодному індикаторі з'явиться «»

Вихід з режиму блокування: В режимі блокування натисніть кнопку «**Stop/Clean**» (Стоп / Очистити) протягом 3 секунд, прозвучить довгий звуковий сигнал, який вказує на вихід з режиму блокування.

## ПОШУК ТА УСУНЕННЯ НЕСПРАВНОСТЕЙ

Нормальний режим роботи	
Мікрохвильова піч створює перешкоди для прийому сигналу телевізора	Мікрохвильова піч може створювати перешкоди для прийому радіо- та телевізійного сигналу під час роботи. Аналогічні перешкоди створюють інші невеликі електричні прилади, такі як міксери, пилососи і вентилятори, і вважаються нормальним явищем.
Тьмяне освітлення печі	При роботі на малій потужності освітлення мікрохвильової печі може знизитися, це нормально.
На дверцятах конденсується пара, з вентиляційних отворів виходить гаряче повітря	Під час нагрівання їжі можливе утворення пари, велика частина якої виводиться через вентиляційні отвори. Однак деяка частина пари може конденсуватися на холодних поверхнях, як наприклад, дверцята печі. Це нормальне явище
Піч увімкнулась випадково без їжі всередині	Забороняється вмикати прилад без їжі всередині. Це дуже небезпечно.

Несправність	Можлива причина	Способи усунення
Піч не вмикається.	(1) Кабель живлення нещільно вставлений в розетку	Витягніть кабель з розетки, почекайте 10 секунд, потім знову вставте.
	(2) Перегорів запобіжник або автоматичний вимикач.	Замініть запобіжник або автоматичний вимикач (ремонт виконується кваліфікованим працівником нашої компанії).
	(3) Проблема з розеткою	Увімкніть інший електроприлад для перевірки.
Піч не нагріває.	(4) Дверцята закриті нещільно	Щільно закрийте дверцята.

### УТИЛІЗАЦІЯ



Цей символ на виробі або на упаковці означає, що пристрій не можна утилізувати разом з побутовими відходами. Утилізуючи цей продукт правильно, ви допоможете запобігти можливим негативним наслідкам для навколишнього середовища і здоров'я людини. Додаткову інформацію щодо утилізації приладу можна отримати у компетентного органу, місцевої служби з утилізації побутових відходів або постачальника пристрою. Прилад необхідно передати у відповідний пункт збору для утилізації електричного та електронного устаткування.

# СЕРВІСНИЙ ЦЕНТР

www.franke.com

## ТЕХНІЧНІ ХАРАКТЕРИСТИКИ

Модель:	FMW 20 SMP G XS / FSL 20 MW XS / FSL 20 MW BK
Номинальна напруга:	230 В ~ 50 Гц
Номинальна вхідна потужність (мікрохвильова піч):	1250 Вт
Номинальна вихідна потужність (мікрохвильова піч):	800 Вт
Номинальна вхідна потужність (Гриль):	1000 Вт
Місткість печі:	20 л
Діаметр поворотної підставки:	Ø245 мм
Зовнішні розміри:	595x343.5x388 мм
Вага нетто:	Прибл. 15 кг

## ЕНЕРГОСПОЖИВАННЯ

Інформація про енергоспоживання та максимальний час досягнення відповідного режиму низького енергоспоживання.

Режим очікування	0,8 Вт
Максимальний час, необхідний для автоматичного досягнення мікрохвильовою пічкою відповідного режиму або стану низької потужності.	20 хвилин



Следует внимательно ознакомиться с руководством пользователя и информацией по технике безопасности перед использованием печи.

Храните руководство для будущих справок.

Изготовитель не несет ответственность за возможный ущерб, который может быть нанесен в связи с несоответствующей установкой, а также неправильным, несоответствующим или неразумным использованием устройства.

Электрическая безопасность печи гарантируется только при ее подсоединении к системе заземления, в соответствии с действующими нормами.

Следует проверить безопасное и эффективное функционирование данного электрического устройства:

- Обращаться только в авторизованные сервисные центры.
- Не модифицировать характеристики устройства.

Использование данного устройства детьми в возрасте 8 лет и старше и лицами с ограниченными физическими, сенсорными или умственными возможностями или не обладающими необходимыми опытом и навыками, допускается только при обеспечении присмотра за ними или после того, как им были разъяснены правила его безопасной эксплуатации и существующие опасности. Не позволяйте детям играть с прибором. Дети не должны осуществлять чистку и уход за прибором без присмотра со стороны взрослых.

Это устройство не игрушка.

Не позволяйте детям находиться рядом с ним без присмотра.

Не позволяйте детям касаться устройства или его элементов управления при его функционировании или сразу же после использования.

**ВНИМАНИЕ!** В целях предупреждения опасности в связи с непреднамеренным восстановлением теплового выключателя, не допускается подсоединение данного прибора через внешнее устройство переключения, например, таймер, или его подсоединение к контуру, который регулярно включается и выключается пользователем.

Убедитесь, что устройство установлено таким образом, чтобы его можно было отсоединить от электрической сети с расстоянием размыкания контактов, гарантирующим полное отключение согласно условий перенапряжения категории III. Размыкатели должны быть встроены в фиксированную кабельную разводку в соответствии с правилами электрического подключения.

Используйте только термозонд, рекомендуемый для данной печи.

Запрещается устанавливать прибор за декоративной дверцей во избежание перегрева.

**ПРЕДУПРЕЖДЕНИЕ:** Риск ожогов!

При использовании прибор нагревается. Соблюдайте осторожность во избежание прикосновения к нагревательным элементам внутри печи. Дети младше 8 лет могут находиться рядом с прибором только под постоянным присмотром.

## Риск ожогов!

Конец дверной ручки может значительно нагреваться в связи с вентиляцией горячего воздуха.

Следует всегда проверять, что регулировочные ручки находятся в выключенном положении, когда печь не используется.

**ПРЕДУПРЕЖДЕНИЕ:** Проверяйте, что прибор выключен перед заменой лампы, в целях предупреждения вероятности электрического удара.

Не следует использовать жесткие абразивные очистители или острые металлические скребки для очистки стекла дверцы печи/ стекла шарнирных крышек (в соответствующих случаях), в связи с тем, что они могут поцарапать поверхность, с соответствующим повреждением стекла.

Не используйте парочистители или прямые струи воды.

В случае повреждения сетевого шнура необходимо обратиться к производителю, в сервисную организацию или к квалифицированному специалисту для его замены.

**Предупреждение:** Нагрев жидкостей или других продуктов питания должен осуществляться в закрытых емкостях, в связи с тем, что они могут взорваться.

**Предупреждение:** Выполнение работ обслуживания или ремонта, при которых снимается крышка, обеспечивающая защиту от воздействия микроволновой энергии, является опасным для всех лиц, не обладающих соответствующей квалификацией для выполнения таких видов работ.

Держите устройство и шнур вне доступа детей возрастом менее 8 лет.

Используйте только инструменты, соответствующие применению в микроволновой печи

Печь подлежит регулярной очистке, а остатки продуктов питания удалению.

При подогреве продуктов в пластиковых или бумажных емкостях, следите за микроволновой печью в связи с возможностью их возгорания.

При наличии дыма, следует вытащить вилку из розетки и держать дверцу закрытой для предупреждения распространения пламени.

Яйца в скорлупе, а также отваренные яйца не должны разогреваться в микроволновой печи в связи с тем, что могут взорваться, даже после завершения их нагрева.

Данный прибор предусмотрен для бытового и подобного назначения, например:

- на кухнях для работающего персонала в магазинах, офисных и других рабочих помещениях;
- клиентами отелей, мотелей и других жилых структур;
- в фермерских хозяйствах;
- мини-отелях типа "ночлег и завтрак".

В случае повреждения сетевого шнура, необходимо обратиться к производителю, в сервисную организацию или к квалифицированному специалисту для его замены.

Несоблюдение чистоты печи может привести к повреждению ее поверхности с соответствующим воздействием на срок ее службы и возможности возникновения опасных ситуаций.

Содержимое бутылочек для кормления и баночек детского питания следует перемешивать или встряхивать с проверкой температуры до подачи их ребенку, в целях предупреждения ожогов.

В результате нагрева в микроволновой печи напитки могут закипеть или разбрызгиваться позднее, поэтому следует соблюдать осторожность при обращении с емкостью.

Функционирование микроволновой печи должно осуществляться при открытой декоративной дверце. Микроволновая печь предназначена для разогрева продуктов питания и напитков. Сушка продуктов питания или одежды и нагрев грелок, тапочек, губок, влажных тканей и подобного может привести к риску травм, возгоранию или пожару.

**ПРЕДУПРЕЖДЕНИЕ:** В случае повреждений уплотнений дверцы печи, следует произвести соответствующий ремонт силами квалифицированного персонала и не использовать печь до устранения повреждения.

Данный прибор предусмотрен только для бытового назначения.

Данная печь предусмотрена только для встроенного использования. Она не предусмотрена для использования на кухонной столешнице или внутри шкафа.

## Для снижения риска травм **Заземление**

### **ОПАСНО**

Электрический удар при касании некоторых внутренних компонентов может привести к серьезным травмам или смертельному исходу. Не следует разбирать данное устройство.

### **ПРЕДУПРЕЖДЕНИЕ**

Опасность электрического удара Несоответствующее использование заземления может привести к электрическому удару. Не вставлять вилку в розетку до соответствующей установки и заземления прибора.

Данный прибор должен быть заземлен. В случае электрического короткого замыкания, заземление снижает риск электрического удара через отводящий провод для электрического тока. Данное устройство оснащено шнуром с заземляющим проводом и заземляющей вилкой. Вилка должна вставляться в установленную и заземленную соответствующим образом розетку.

Следует обращаться к квалифицированному электрику или техническому специалисту в случае неполного понимания инструкций по заземлению или при возникновении сомнений в отношении соответствующего заземления прибора.

В случае необходимости использования удлинителя, следует применять только 3-проводный удлинительный шнур.

1. Предусмотрен короткий силовой кабель для снижения рисков, связанных с запутыванием или спотыканием о длинный кабель.
2. В случае использования длинного или удлинительного шнура:
  - 1) Электрические характеристики соединительного или удлинительного шнура должны, по меньшей мере, соответствовать электрическим характеристикам устройства.
  - 2) Удлинительный шнур должен быть заземляющим 3-проводным шнуром.
  - 3) Длинный шнур должен располагаться таким образом, чтобы он не свисал со столешницы или рабочей поверхности, в связи с тем, что он может натягиваться детьми или о него можно случайно запнуться.

- Не передерживать продукты.
  - Не использовать полость печи в целях хранения.
  - Не хранить продукты, например, хлеб, печенье и т.д. внутри печи.
  - Убирать металлические элементы и металлические ручки из бумажных или пластиковых емкостей/пакетов перед размещением их в печь.
  - Устанавливать или размещать данную печь только в соответствии с предоставляемыми инструкциями по установке
- Не хранить или использовать данный прибор за пределами помещения.
- Не использовать печь рядом с водой, на влажном основании или рядом с бассейном.
  - Температура доступных поверхностей может быть высокой при работе устройства.
  - При использовании прибора поверхности нагреваются.
  - Следует держать шнур на расстоянии от нагретой поверхности и не закрывать вентиляционные отверстия печи.
  - Не оставлять шнур свисающим с рабочей поверхности или столешницы.
- Не пытаться включать данную печь при открытых дверцах в связи с тем, что это может привести к взрывоопасности микроволновой энергии. Важно не нарушать или производиться несанкционированные вмешательства на защитных блокировочных устройствах.
- Не размещать какие-либо предметы между передней поверхностью печи и дверцей и не допускать скопления загрязнений или чистящих средств на уплотнительных поверхностях.

# ОЧИСТКА

Убедиться в отключении устройства от источника питания.

1. Очищать полость печи следует после использования слегка влажной тряпкой.

2. Очистка принадлежностей должна осуществляться обычным путем мыльной водой.

3. В случае их загрязнения, дверная рама, уплотнения и расположенные рядом элементы подлежат тщательной очистке влажной тряпкой.

4. Не следует использовать твердые абразивные чистящие средства или острые металлические скребки для очистки стекла дверцы печи, в связи с тем, что они могут поцарапать поверхность и привести к повреждению стекла.

5. Рекомендации по очистке---Для более удобной очистки стенок полости, с которыми могут соприкасаться продукты питания: Положить половинку лимона в емкость, добавить 300 мл (1/2 пинта) воды и нагреть до 100% микроволновой мощности в течение 10 минут.

Протереть печь сухой мягкой тряпкой.

## ИНСТРУМЕНТЫ ВНИМАНИЕ

### Опасность травм

Выполнение работ обслуживания или ремонта, при которых снимается крышка, обеспечивающая защиту от воздействия микроволновой энергии, является опасным для всех лиц, не обладающих соответствующей квалификацией для выполнения таких видов работ.

См. инструкции в отношении "Материалов, которые могут использоваться в микроволновой печи, или использования которых в микроволновой печи следует избегать." Ими могут быть некоторые неметаллические инструменты, которые не являются безопасными для использования в микроволновой печи. В случае сомнений, можно протестировать соответствующий инструмент, следуя приведенным ниже инструкциям.

Тестирование инструмента:

1. Наполнить емкость, предназначенную для микроволновых печей, 1 чашкой холодной воды (250 мл) с расположенным внутри инструментом.
2. Нагревать на максимальной мощности в течение 1 минуты.
3. Осторожно потрогать инструмент. Если пустой инструмент горячий, не следует использовать его для приготовления в микроволновой печи.
4. Не превышать 1 минуту времени приготовления.



## Материалы, которые могут использоваться в микроволновой печи

Инструменты	Примечания
Окрашенное блюдо	Следовать инструкциям изготовителя. Днище окрашенного блюда должно быть, по меньшей мере, на 3/16 дюйма (5 мм) выше поворотного стола. Несоответствующее использование может привести к повреждению поворотного стола.
Столовая посуда	Только предусмотренная для микроволновых печей. Следовать инструкциям изготовителя. Не использовать посуду с царапинами или трещинами.
Стеклоянные емкости	Всегда снимать крышку. Использовать только для подогрева продуктов. Большинство стеклянных емкостей не являются жаропрочными и могут разбиться.
Стеклоянная посуда	Только жаропрочная стеклоянная посуда. Проверить отсутствие металлических бортиков. Не использовать посуду с царапинами или трещинами.
Пакеты для запекания	Следовать инструкциям изготовителя. Не закрывать металлическими элементами. Проверить наличие возможности выхода пара.
Бумажные тарелки и чашки	Использовать только для кратковременного приготовления/подогрева. Не оставлять без присмотра при приготовлении.
Бумажные полотенца	Используются для покрытия подогреваемых продуктов и поглощения жира. Использовать под присмотром только для кратковременного приготовления/подогрева.
Пергаментная бумага	Используется для покрытия для предупреждения разбрызгивания или улавливания пара.
Пластик	Только предусмотренный для микроволновых печей. Следовать инструкциям изготовителя. Должна присутствовать наклейка "Предусмотрен для микроволновых печей". Некоторые пластиковые емкости размягчаются в связи с тем, что находящиеся внутри продукты нагреваются. "Пакеты для варки" и тщательно закрытые пластиковые пакеты должны быть с прорезью, отверстием или пропускать воздух.
Пищевая пленка	Только предусмотренная для микроволновых печей. Используется для покрытия продуктов при приготовлении для сохранения влажности. Не допускать соприкосновения пластиковой пленки с продуктами.
Термометры	Только предусмотренные для микроволновых печей (мясные и сахарные термометры).
Восковая бумага	Используется для предупреждения разбрызгивания и поддержания влажности.

## Материалы, использования которых в микроволновой печи следует избегать

Инструменты	Примечания
Алюминиевые лотки	Могут вызвать искрение. Переложить продукты питания в блюдо для микроволновой печи.
Пищевые коробки с металлическими ручками	Могут вызвать искрение. Переложить продукты питания в блюдо для микроволновой печи.
Металлические инструменты или с металлическим ободом	Металл закрывает продукт от воздействия микроволновой энергии. Металлическое покрытие может вызвать искрение.
Металлические упаковочные проволоки	Могут вызвать искрение и возгорание в печи.
Бумажные пакеты	Могут вызвать возгорание в печи.
Пенопласт	Пенопласт может плавиться или привести к загрязнению жидкости при воздействии высоких температур.
Дерево	Дерево высыхает при его использовании в микроволновой печи и может вызвать трещины или щели.

# ОБЩИЙ ВИД

## Наименования компонентов печи и принадлежностей

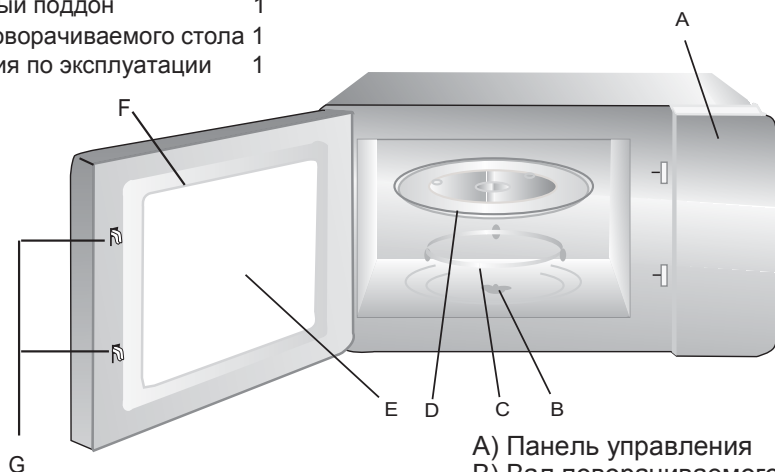
Вынуть печь и все материалы из коробки и полости печи.

Ваша печь поставляется в следующей комплектации:

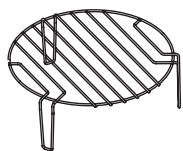
Стекланный поддон 1

Кольцо поворачиваемого стола 1

Инструкция по эксплуатации 1



- A) Панель управления
- B) Вал поворачиваемого стола
- C) Кольцо поворачиваемого стола
- D) Стекланный поддон
- E) Контрольное окно
- F) Дверца
- G) Предохранительная система блокировки



Решетка для гриля (Используется только при включении функции гриля и размещается на стекланный поддон)

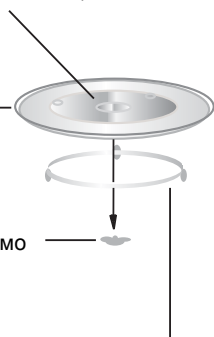
## Монтаж поворотного стола

Втулка (нижняя часть)

Стекланный поддон

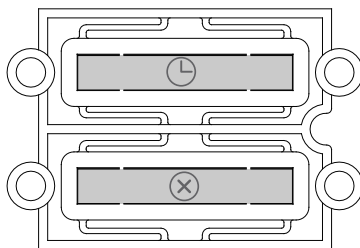
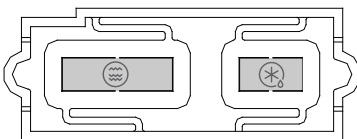
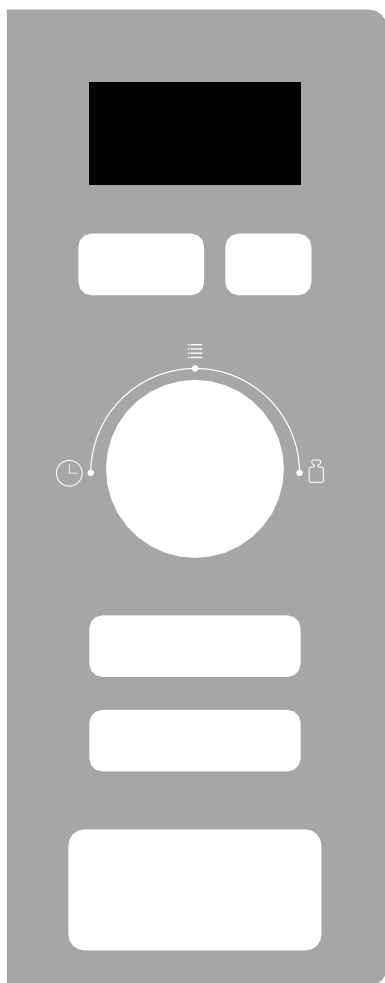
Вал поворачиваемого стола

Кольцо поворачиваемого стола

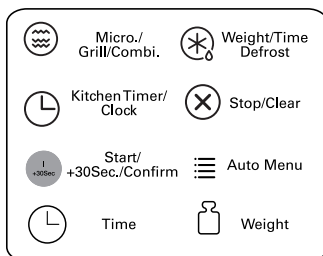


- a. Никогда не размещать стекланный поддон сверху вниз. Стекланный поддон не должен быть заблокирован.
- b. В процессе приготовления должны всегда использоваться стекланный поддон и кольцо поворачиваемого стола.
- c. В процессе приготовления все продукты питания и емкости всегда размещаются на стекланный поддоне.
- d. Если стекланный поддон или кольцо поворачиваемого стола имеют трещины или повреждения, следует незамедлительно обратиться в ближайший авторизованный сервисный центр.

# Панель управления



## Инструкция:



## **МОНТАЖ**

1. Прибор должен устанавливаться в настенном шкафу шириной 60 см.
2. Прибор поставляется с кабелем питания и вилкой Шуко с защитным контактом или трехполюсным кабелем питания со свободными клеммами.
3. Прибор должен подсоединяться только к заземленной соответствующим образом розетке.
4. Напряжение сети должно соответствовать указанному на паспортной табличке.
5. Монтаж розетки и соединительного кабеля должны осуществляться только квалифицированным электриком. Если розетка не доступна в соответствии с приведенными далее инструкциями по установке, со стороны установки должно быть предусмотрено разъединительное устройство с контактным зазором, по меньшей мере, 3 мм.
6. Не должны использоваться адаптеры, многоканальные колодки и удлинительные кабели. Перегрузка может привести к возгоранию.

**Доступные поверхности при функционировании могут нагреваться.**



# Инструкции по установке

Пожалуйста, внимательно ознакомьтесь с руководством перед установкой

## Внимание

### Подключение к электрической сети

С задней стороны устройства не должно быть стенки шкафа.  
Следует соблюдать расстояние между стенкой и основанием устройства.  
Расстояние можно узнать на схемах.

Минимальная установочная высота: 85 см.

Не следует закрывать вентиляционные пазы и всасывающие отверстия.

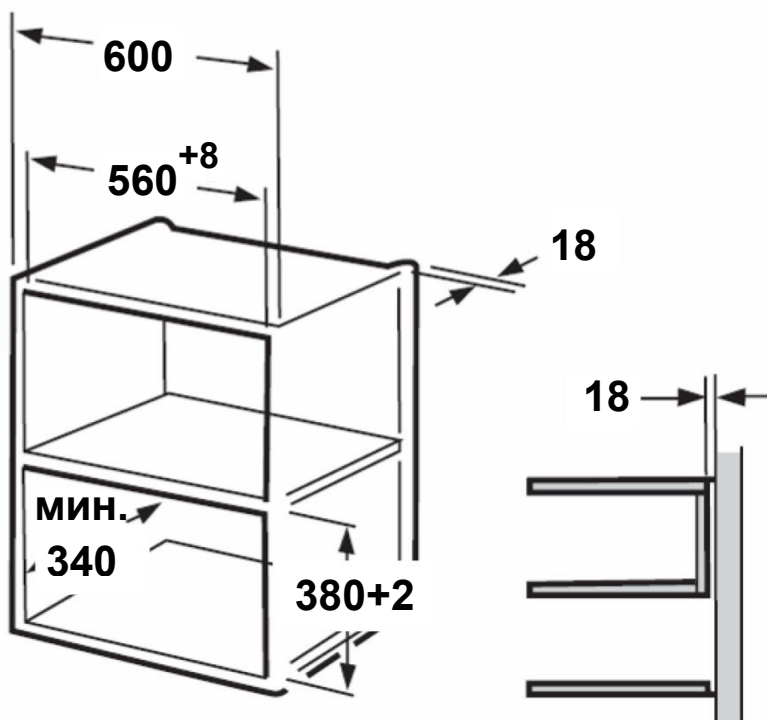
### Примечание:

Не блокировать или сгибать силовой кабель.

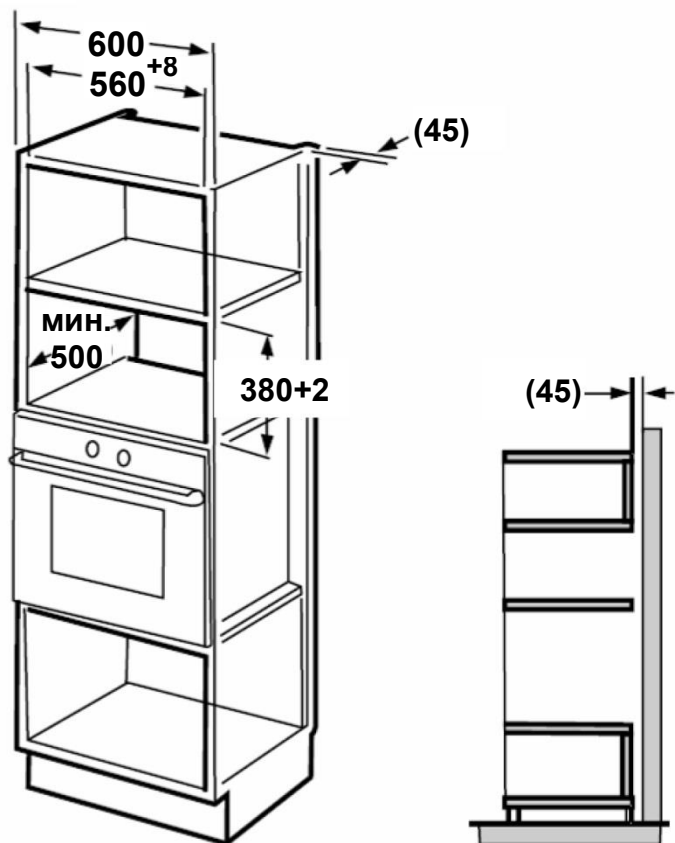
Не используйте под рабочей поверхностью и не выливайте из контейнера на поверхность, к которой крепится прибор.

## А. Требования к шкафу

1.



2.

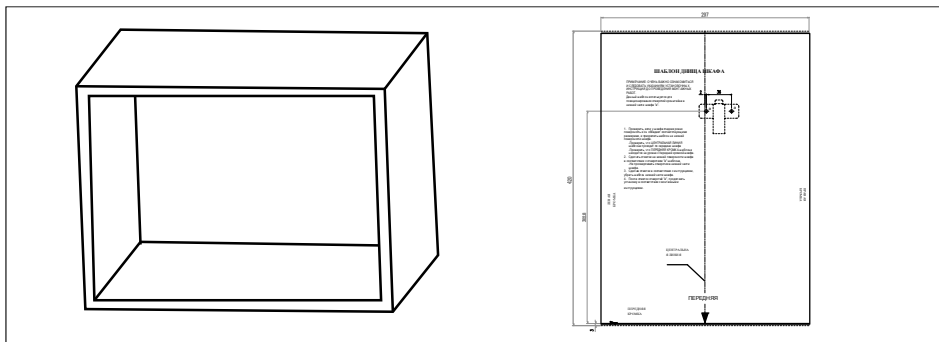


**Примечание:**

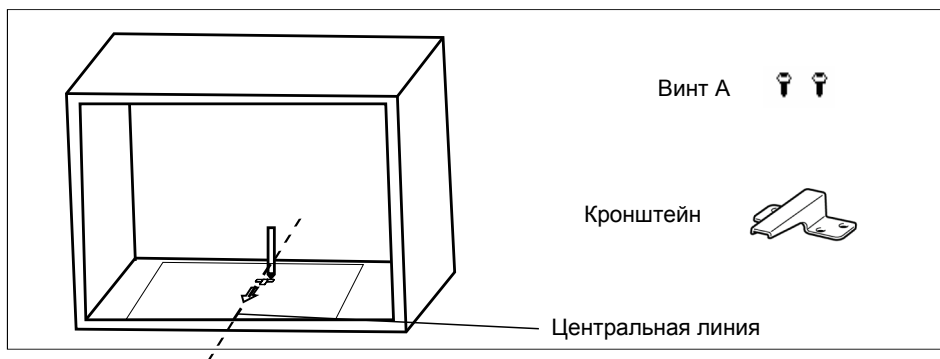
При установке необходимы кронштейн и шаблон для днища шкафа.

## В. Подготовка шкафа

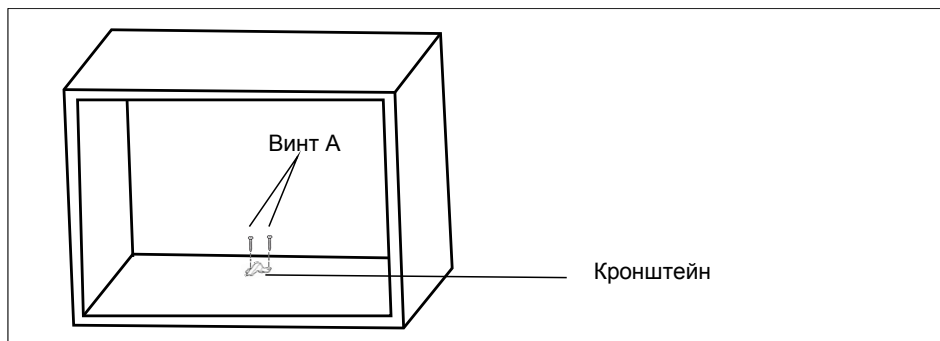
1. Следует ознакомиться с инструкциями в отношении ШАБЛОНА ДЛЯ ДНИЩА ШКАФА, положить шаблон в нижней части шкафа.



2. Сделать отметки на нижней поверхности шкафа в соответствии с отметками "а" шаблона



3. Удалить шаблон нижней части шкафа и закрепить кронштейн винтом А.

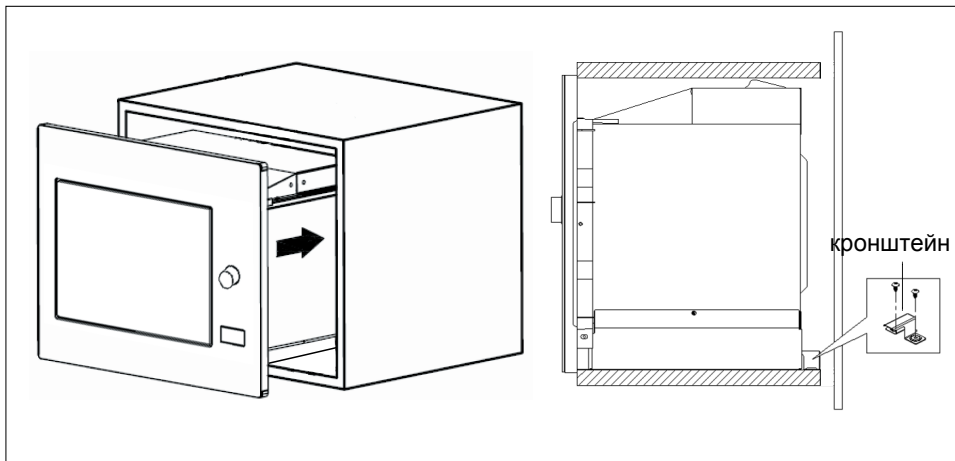




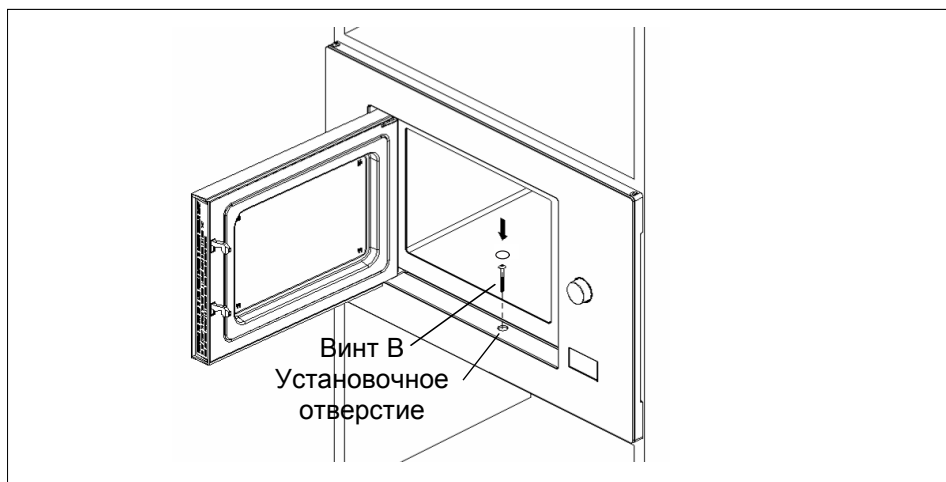
## С. Монтаж печи

### 4. Установить печь в шкаф

- Проверить, что задняя стенка печи зафиксирована кронштейном.
- Не сгибать или перекручивать силовой кабель.



5. Открыть дверцу, закрепить печь к шкафу винтом В в установочном отверстии. Затем закрепить пластиковую крышку к установочному отверстию.




# ФУНКЦИОНИРОВАНИЕ

## 1. Настройка часов

При подключении микроволновой печи к сети, на экране выводится "0:00", с сигналом зуммера.

1) Нажать два раза опцию "**Kitchen Timer/Clock**" для выбора функции времени, значения часов начнут мигать.


---

2) Повернуть " " для регулировки значений часов, введенное время должно быть в пределах 0--23.

---

3) Нажать на опцию "**Kitchen Timer/Clock**", значения минут будут мигать.

---

4) Повернуть " " для регулировки значений минут, введенное время должно быть в пределах 0--59.



---

5) Нажать опцию "**Kitchen Timer/Clock**" для завершения настройки часов. ":" будет мигать с визуализацией времени.

Примечание: 1) Если часы не установлены, они не будут работать при включении.  
2) В течение процесса настройки часов, при нажатии опции "**Stop/Clear**", печь автоматически переходит в предыдущий режим.

## 2. Приготовление в микроволновой печи


Нажать опцию "**Micro./Grill/Combi.**" один раз, на экране отображается "P100".

Нажать опцию "**Micro./Grill/Combi.**" несколько раз или повернуть " " для выбора желаемой мощности и "P100", "P 80", "P 50", "P 30", "P 10", "G", "C-1" или "C-2" будут отображаться при каждом дополнительном нажатии. Нажать опцию "**Start/+30Sec./Confirm**" для подтверждения, и повернуть " " для установки времени приготовления от 0:05 до 95:00. Нажать "**Start/+30Sec./Confirm**" еще раз для начала приготовления.


Пример: Если вы хотите использовать 80% микроволновой мощности для приготовления в течение 20 минут, следует действовать следующим образом.

1) Нажать опцию "**Micro./Grill/Combi.**" один раз, на экране появится "P100".

---

2) Нажать опцию "**Micro./Grill/Combi.**" еще раз или повернуть " " для выбора 80% микроволновой мощности.

3) Нажать "**Start/+30Sec./Confirm**" для подтверждения, на дисплее появится "P 80".

4) Повернуть "" для регулировки времени приготовления до отображения на дисплее "20:00".

5) Нажать опцию "**Start/+30Sec./Confirm**" для начала приготовления.



Примечание: значения времени регулировки выключателя определены далее:

- 0---1 мин. : 5 секунд
- 1---5 мин. : 10 секунд
- 5---10 мин. : 30 секунд
- 10---30 мин. : 1 минута
- 30---95 мин. : 5 минут

#### "Micro./Grill/Combi." Инструкции


Последов.	Дисплея	Микроволновая мощность	Мощность гриля
1	P100	100%	
2	P 80	80%	
3	P 50	50%	
4	P 30	30%	
5	P 10	10%	
6	G	0%	100%
7	C-1	55%	45%
8	C-2	36%	64%

### 3. Приготовление в режиме Гриль или Комб.


Нажать опцию "**Micro./Grill/Combi.**" один раз, на экране появится "P100", и нажать опцию "**Micro./Grill/Combi.**" несколько раз или повернуть "" для выбора желаемой мощности и "P100", "P 80", "P 50", "P 30", "P 10", "G", "C-1" или "C-2" будут отображаться при каждом дополнительном нажатии. Затем нажать опцию "**Start/+30Sec./Confirm**" для подтверждения и повернуть "" для установки времени приготовления от 0:05 до 95:00. Нажать опцию "**Start/+30Sec./Confirm**" еще раз для начала приготовления.

Пример: Если вы хотите использовать 55% микроволновой мощности и 45% мощности гриля (С-1) для приготовления в течение 10 минут, следует действовать следующим образом.

- 1) Нажать опцию "**Micro./Grill/Combi.**" один раз, на экране появится "P100".

---
- 2) Нажать "**Micro./Grill/Combi.**" несколько раз или повернуть " " для выбора комб. режима 1.


---
- 3) Нажать опцию "**Start/+30Sec./Confirm**" для подтверждения, на дисплее появится "С-1".

---
- 4) Повернуть " " для регулировки времени приготовления до отображения на дисплее "10:00".

---
- 5) Нажать опцию "**Start/+30Sec./Confirm**" для начала приготовления.


Примечание: По истечении половины времени гриля, печь издает двойной звуковой сигнал, это является нормальным явлением. Для достижения лучшего эффекта гриль продуктов, следует перевернуть продукт, закрыть дверцу, затем нажать опцию "**Start/+30Sec./Confirm**" для продолжения приготовления. Если не выполняются какие-либо действия, печь продолжает функционировать.

#### 4. Функция быстрого запуска

- 1) В режиме ожидания, нажать опцию "**Start/+30Sec./Confirm**" для начала 30-секундного приготовления при 100% мощности, каждое дополнительное нажатие увеличивает на 30 секунд время приготовления до 95 минут.
- 2) В режиме микроволновой печи, гриля, комбинированного приготовления или размораживания, каждое нажатие опции "**Start/+30Sec./Confirm**" может увеличить на 30 секунд время приготовления.
- 3) В режиме ожидания повернуть " " влево для установки времени приготовления при 100% микроволновой мощности. После выбора времени приготовления, нажать опцию "**Start/+30Sec./Confirm**" для начала приготовления.


#### 5. Размораживание в соответствии с весом

- 1) Нажать опцию "**Weight/Time Defrost**" один раз, на дисплее появится "dEF1".


---
- 2) Повернуть " " для выбора веса продукта от 100 до 2000 г.

---
- 3) Нажать опцию "**Start/+30Sec./Confirm**" для начала процесса размораживания.

## 6. Размораживание по времени



- 1) Нажать опцию "**Weight/Time Defrost**" два раза, на дисплее появится "dEF2".
- 2) Повернуть " " для выбора времени размораживания. Макс.время составляет 95 минут.
- 3) Нажать опцию "**Start/+30Sec./Confirm**" для начала процесса размораживания. Мощность размораживания составляет P 30 и не может быть изменена.

## 7. Кухонный таймер

- 1) Нажать опцию "**Kitchen Timer/Clock**" один раз, на дисплее появится 00:00.
- 2) Повернуть " " для ввода соответствующего времени. (Макс.время составляет 95 минут.)
- 3) Нажать опцию "**Start/+30Sec./Confirm**" для подтверждения установки.
- 4) При достижении времени приготовления, прозвучит звуковой сигнал 5 раз.  
При установке часов (24-часовая система), на дисплее будет отображено текущее время.

Примечание: Кухонное время отличается от 24-часовой системы. Кухонный таймер представляет собой таймер.

## 8. Авт.Меню

- 1) Повернуть " " вправо для выбора меню, на дисплее появится "A-1" и "A-8".
- 2) Нажать опцию "**Start/+30Sec./Confirm**" для подтверждения.
- 3) Повернуть " " для выбора веса по умолчанию в соответствии со схемой меню.
- 4) Нажать опцию "**Start/+30Sec./Confirm**" для начала приготовления.

Пример: Если вы хотите использовать "Авт.меню" для приготовления рыбы 350 г.



- 1) Повернуть " " по часовой стрелке до визуализации "A-6".
- 2) Нажать опцию "**Start/+30Sec./Confirm**" для подтверждения.
- 3) Повернуть " " для выбора веса рыбы до визуализации "350".
- 4) Нажать опцию "**Start/+30Sec./Confirm**" для начала приготовления.

Таблица приготовления

Меню	Вес	Дисплей
А-1 Пицца	200 г	200
	400 г	400
А-2 Мясо	250 г	250
	350 г	350
	450 г	450
А-3 Овощи	200 г	200
	300 г	300
	400 г	400
А-4 Паста	50 г (с 450 г холодной воды)	50
	100 г (с 800 г холодной воды)	100
А-5 Картофель	200 г	200
	400 г	400
	600 г	600
А-6 Рыба	250 г	250
	350 г	350
	450 г	450
А-7 Напитки	1 чашка (120 мл)	1
	2 чашки (240 мл)	2
	3 чашки (360 мл)	3
А-8 Попкорн	50 г	50
	100 г	100


## 9. Многосекционное приготовления

Для приготовления могут быть выбраны не более 2 секции. В многосекционном приготовлении, если одной из секций является размораживание, оно позиционируется в первой секции автоматически.

Пример: Если вам нужно разморозить продукт в течение 5 минут, а затем готовить его при 80% микроволновой мощности в течение 7 минут, следует действовать следующим образом:

1) Нажать опцию "**Weight/Time Defrost**" два раза, на дисплее появится "dEF2".


---

2) Повернуть "" для выбора времени размораживания до визуализации "5:00".

---

3) Нажать опцию "**Micro./Grill/Combi.**" один раз, на экране появится "P100".


---

4) Нажать опцию "**Micro./Grill/Combi.**" еще раз или повернуть "" для выбора 80% микроволновой мощности.

---

5) Нажать опцию "**Start/+30Sec./Confirm**" для подтверждения, на дисплее появится "P 80".

---

6) Повернуть "" для регулировки времени приготовления до отображения на дисплее "7:00".

---



7) Нажать опцию "**Start/+30Sec./Confirm**" для начала приготовления, звуковой сигнал прозвучит первый раз для первой секции, начинается отсчет времени размораживания. Звуковой сигнал прозвучит еще раз при вводе второго приготовления. При завершении приготовления, звуковой сигнал звучит пять раз.

## 10. Функция запроса

1) В режиме микроволновой печи, гриля и комбинированного приготовления, нажать опцию "**Micro./Grill/Combi.**", текущая мощность будет отображена в течение 3 секунд. Спустя 3 секунды печь вернется в стандартный режим.

2) В режиме приготовления нажать опцию "**Kitchen Timer/Clock**" для определения времени, время будет отображено в течение 3 секунд.

## 11. Функция блокировки от детей

Блокировка: В режиме ожидания нажать опцию " **Stop/Clear** " в течение 3 секунд, прозвучит длительный звуковой сигнал, уведомляющий о включении функции блокировки от детей.  загорается, и отображается текущее время, если оно установлено. В противном случае, на экране будет выведено "  ".

Отключение функции блокировки: в режиме блокировки нажать опцию " **Stop/Clear** " в течение 3 секунд, прозвучит длительный звуковой сигнал, указывающий на отключение блокировки.



## ПОИСК И УСТРАНЕНИЕ НЕИСПРАВНОСТЕЙ

<b>Нормальный режим</b>	
Помехи микроволновой печи при приеме ТВ	Радио и ТВ сигнал может создавать помехи при функционировании микроволновой печи. Это подобно помехам небольших электроприборов, например, миксера, пылесоса и электровентилятора. Это является нормальным явлением.
Потускнение подсветки печи	В режиме микроволнового приготовления низкой мощности, подсветка печи может потускнеть. Это является нормальным явлением.
Скопление пара на двери, горячий воздух на вентиляционных отверстиях	В процессе приготовления пар может выходить из продуктов. Большая часть выходит из вентиляционных отверстий. Но некоторая часть может скапливаться на холодных деталях, например, дверце печи. Это является нормальным явлением.
Печь случайно запускается без наличия в ней продуктов.	Запрещается функционирование устройства без наличия в нем продуктов. Это очень опасно.

<b>Проблема</b>	<b>Возможная причина</b>	<b>Мера</b>
Печь не запускается.	(1) Силовой шнур не вставлен соответствующим образом.	Вытащить. Затем подключить вновь спустя 10 секунд.
	(2) Перегорел предохранитель или сработал выключатель.	Заменить предохранитель или произвести сброс выключателя (ремонт профессиональным персоналом нашей компании)
	(3) Проблемы с розеткой.	Попробовать розетку с другими электроприборами.
Печь не нагревается.	(4) Дверца не закрыта.	Тщательно закрыть дверцу.



### УТИЛИЗАЦИЯ

Приведенный на устройстве или на его упаковке символ указывает на то, что устройство не подлежит утилизации в качестве бытовых отходов. Соответствующая утилизация устройства содействует предупреждению опасных последствий для окружающей среды и здоровья.

Дополнительную информацию по утилизации устройства можно получить в компетентных органах, местном центре утилизации или у продавца устройства.

Следует осуществлять утилизацию устройства, подлежащего выбросу, через специализированные центры по сбору отходов электронных и электрических устройств.

# СЕРВИСНАЯ СЛУЖБА

Обращайтесь по контактному адресу или на наш веб-сайт :[www.franke.com](http://www.franke.com)

## ТЕХНИЧЕСКИЕ ХАРАКТЕРИСТИКИ

Модель:	FMW 20 SMP G XS / FSL 20 MW XS / FSL 20 MW BK
Номинальное напряжение:	230В~50Гц
Номинальная входная мощность (Микроволновая печь):	1250 Вт
Номинальная выходная мощность (Микроволновая печь):	800 Вт
Номинальная входная мощность (Гриль):	1000 Вт
Объем печи:	20 л
Диаметр поворачиваемого стола:	Ø245 мм
Внешние размеры:	595x343.5x388 мм
Вес нетто:	Около 15 кг

## РАСХОД ЭНЕРГИИ

Информация о продукте: потребляемая мощность и максимальное время выхода в режим пониженного энергопотребления.

---

Режим ожидания	0,8 Вт
----------------	--------

---

Максимальное время, необходимое для автоматического перехода микроволновой печи в соответствующий режим или состояние 20 минут пониженной мощности.

---

## خدمة العملاء

ارجع إلى عنوان الاتصال بموقعنا الإلكتروني: [www.franke.com](http://www.franke.com)

## البيانات الفنية

الطراز:	FMW 20 SMP G XS / FSL 20 MW XS / FSL 20 MW BK
الجهد الكهربائي الاسمي:	230 فلت-50 هرتز
قدرة الدخل الاسمية (ميكروويف):	1250 واط
قدرة الخرج الاسمية (ميكروويف):	800 واط
قدرة الشواية الاسمية (شواية):	1000 واط
سعة الفرن:	20 لتر
قطر القرص الدوار:	Ø245 ملليمتر
الأبعاد الخارجية:	388x343.5x595 ملليمتر
الوزن الصافي:	حوالي 15 كجم

## استهلاك الطاقة

معلومات المنتج عن استهلاك الطاقة والوقت الأقصى للوصول إلى وضع الطاقة المنخفضة المعمول به.

0.8 واط

وضع الاستعداد

20 دقيقة

الحد الأقصى للوقت اللازم لفرن الميكروويف للوصول تلقائيًا إلى وضع أو حالة الطاقة المنخفضة المعمول بها.

عادي	
قد يحدث تداخل لاستقبال التلفاز والراديو عند تشغيل فرن الميكروويف. حيث يشبه هذا للتداخل الذي يحدث في حالة الأجهزة الكهربائية الصغيرة، مثل الخلاط والمكنسة الكهربائية والمروحة الكهربائية. فهذا أمر طبيعي.	تداخل موجات فرن الميكروويف مع استقبال موجات التلفزيون
في وضع الطهي منخفض القدرة لفرن الميكروويف، قد يصحح الضوء خافتاً. فهذا أمر طبيعي.	ضوء الفرن الخافت
أثناء الطهي، قد يتصاعد البخار من الأطعمة. غالبية البخار سيخرج من فتحات التهوية. ولكن قد يتراكم بعض البخار في مكان بارد مثل باب الفرن. فهذا أمر طبيعي.	تراكم البخار على الباب، خروج هواء ساخن من فتحات التهوية
يحظر تشغيل الوحدة بدون وجود طعام بداخلها. فهذا خطير جداً.	تشغيل الفرن بدون قصد بدون وجود طعام بداخلها.

العطل	السبب المحتمل	العلاج
يتعذر تشغيل الفرن.	(1) كابل الكهرباء غير موصل بإحكام.	افصله. ثم قم بتوصيله مرة أخرى بعد مرور 10 ثوان.
	(2) المصهر محترق أو فاصل الدائرة الكهربائية يعمل.	قم بتغيير المصهر أو أعد ضبط فاصل الدائرة الكهربائية (بتم إصلاحه بواسطة فنيين محترفين في شركتنا)
	(3) مشكلة بمقيس الكهرباء.	اختبر مقيس الكهرباء من خلال أجهزة كهربائية أخرى.
الفرن لا يسخن.	(4) الباب غير مغلق جيداً.	أغلق الباب جيداً.

#### التكهنين

يشير الرمز الموجود على المنتج أو على العبوة إلى أن هذا الجهاز لا يتم التخلص منه في المخلفات المنزلية. عبر التخلص من الجهاز بطريقة مناسبة، فإنك تساعد على تجنب النتائج الضارة للبيئة والصحة.

تتوفر المزيد من المعلومات حول إعادة تدوير الجهاز من السلطة المختصة، خدمة التخلص من النفايات المحلية أو من بائع الجهاز.

التخلص من الجهاز المراد التخلص منه، يتم ذلك عبر نقطة مخصصة لجمع النفايات الخاصة بالأجهزة الإلكترونية والكهربائية.






وحدة العرض	الوزن	القائمة
200	200 جم	1-A بيتزا
400	400 جم	
250	250 جم	2-A اللحوم
350	350 جم	
450	450 جم	
200	200 جم	3-A الخضروات
300	300 جم	
400	400 جم	
50	50 جم (مع 450 جم ماء بارد)	4-A معكرونة
100	100 جم (مع 800 جم ماء بارد)	
200	200 جم	5-A بطاطس
400	400 جم	
600	600 جم	
250	250 جم	6-A أسماك
350	350 جم	
450	450 جم	
1	كوب واحد (120 مل)	7-A المشروبات
2	2 كوب (240 مل)	
3	3 أكواب (360 مل)	
50	50 جم	8-A الفشار
100	100 جم	

## 7. ميقاتي المطبخ


- 1) اضغط على " **Kitchen Timer/Clock** " مرة واحدة، وسيظهر بوحدة العرض 00:00.
- 2) أدر "  " لإدخال الوقت الصحيح. (تبلغ أقصى مدة طهي 95 دقيقة).
- 3) اضغط على " **Start/+30Sec./Confirm** " لتأكيد الإعداد.
- 4) عند بلوغ وقت المطبخ، سيصدر عندئذ صوت الصافرة خمس مرات.  
إذا تم ضبط الساعة (نظام 24-ساعة)، سيظهر عندئذ بوحدة العرض الوقت الحالي.  
ملاحظة: وقت المطبخ يختلف عن نظام 24 ساعة. ميقاتي المطبخ هو ميقاتي.

## 8. Auto Menu

- 1) أدر "  " ناحية اليمين لاختيار القائمة، وسيتم عرض "1-A" إلى "8-A".

---

2) اضغط على " **Start/+30Sec./Confirm** " للتأكيد.

- 3) أدر "  " لاختيار الوزن الافتراضي مثل مخطط القائمة.

---


4) اضغط على " **Start/+30Sec./Confirm** " لبدء الطهي.

على سبيل المثال: إذا أردت استخدام وظيفة "Auto Menu" لطهي سمك بمقدار 350 جم.

- 1) أدر "  " في اتجاه عقارب الساعة إلى أن يظهر بوحدة العرض "6-A".

---

2) اضغط على " **Start/+30Sec./Confirm** " للتأكيد.


- 3) أدر "  " لاختيار وزن السمك إلى أن يظهر بوحدة العرض "350".

---

4) اضغط على " **Start/+30Sec./Confirm** " لبدء الطهي.


ملاحظة: إذا انقضى نصف وقت الشواء، تصدر الفرن صوت صافرة مرتين، وهذا أمر طبيعي. للحصول على أفضل مستوى لشواء الأطعمة، يجب تقليبها، اغلق الباب، ثم اضغط على " **Start/+30Sec./Confirm** " لمواصلة الطهي. إذا لم يتم تحديد أي وظيفة، سيواصل الفرن العمل.

#### 4. البدء السريع

- (1) في وضع الانتظار، اضغط على " **Start/+30Sec./Confirm** " لبدء عملية طهي مدتها 30 ثانية بقدرة 100%، وستزيد كل ضغطة إضافية مدة الطهي بمعدل 30 ثانية وذلك حتى 95 دقيقة.
- (2) في وضع الميكروويف، الشواية، الطهي المدمج أو وقت إذابة التجمد، كل ضغطة على " **Start/+30Sec./Confirm** " تضيف 30 ثانية من مدة الطهي.
- (3) في وضع الانتظار، أدر "  " ناحية اليسار وذلك لضبط مدة الطهي بقدرة ميكروويف تبلغ 100%. بعد اختيار مدة الطهي، اضغط على " **Start/+30Sec./Confirm** " لبدء الطهي.

#### 5. إذابة التجمد بالوزن


(1) اضغط على " **Weight/Time Defrost** " مرة واحدة، وسيظهر بوحة عرض الفرن "DEF1".

(2) أدر "  " لاختيار وزن الأطعمة من 100 إلى 2000 جم.

(3) اضغط على " **Start/+30Sec./Confirm** " لبدء إذابة التجمد.

#### 6. إذابة التجمد بالوقت

(1) اضغط على " **Weight/Time Defrost** " مرتين، وسيظهر بوحة عرض الفرن "DEF2".

(2) أدر "  " لاختيار وقت إذابة التجمد. أقصى مدة هي 95 دقيقة.

(3) اضغط على " **Start/+30Sec./Confirm** " لبدء إذابة التجمد. تبلغ قدرة إذابة التجمد P 30، ولا يمكن تغييرها.



ملاحظة: الكميات المحددة لضبط وقت مفتاح الترميز كالتالي:

0---1	دقيقة	: 5 ثوان
1---5	دقائق	: 10 ثوان
10---30	دقائق	: 30 ثانية
30---10	دقيقة	: 1 دقيقة
95---30	دقيقة	: 5 دقائق

ترتيب الطهي باستخدام "الميكروويف/الشواية/الطهي المدمج".  
وحدة عرض وحدة العرض

وحدة عرض	وحدة العرض	قدرة فرن الميكروويف	قدرة الشواية
1	P100	%100	
2	P 80	%80	
3	P 50	%50	
4	P 30	%30	
5	P 10	%10	
6	G	%0	%100
7	1-C	%55	%45
8	2-C	%36	%64

3. الطهي باستخدام الشواية أو الطهي المشترك

اضغط على "Micro./Grill/Combi" مرة واحدة، سيظهر بوحد العرض "P100"، واضغط على

"Micro./Grill/Combi" بشكل متكرر أو أدر " " لاختيار القدرة التي تريدها، وستظهر "P100" أو

"P 80" أو "P 50" أو "P 30" أو "P 10" أو "G" أو "1-C" أو "2-C" لكل ضغط إضافية. ثم اضغط على "

"Start/+30Sec./Confirm" للتأكيد، وأدر " " لضبط وقت الطهي من 0:05 إلى 95:00 اضغط على "

"Start/+30Sec./Confirm" مرة أخرى لبدء الطهي.

على سبيل المثال: إذا أردت أن تستخدم نسبة 55% من قدرة الميكروويف و 45% من قدرة الشواية (1-C) للطهي لمدة 10 دقائق، يمكنك تشغيل الفرن تبعاً للخطوات التالية:

(1) اضغط على "Micro./Grill/Combi" مرة واحدة، سيظهر بوحد العرض "P100".

(2) اضغط على "Micro./Grill/Combi" للأوقات أو أدر " " لاختيار الدمج. الوضع 1.

(3) اضغط على "Start/+30Sec./Confirm" للتأكيد، وسيظهر بوحد العرض "1-C".

(4) أدر " " لضبط وقت الطهي حتى يظهر بوحد عرض الفرن "10:00".

(5) اضغط على "Start/+30Sec./Confirm" لبدء الطهي.

## التشغيل

### 1. ضبط الساعة

عندما يكون فرن الميكروويف مشغلا، سيظهر بوحدة العرض "0:00"، وستصدر صافرة مرة واحدة فقط.  
(1) اضغط على **"Kitchen Timer/Clock"** لاختيار وظيفة الساعة، ستومض عندئذ رموز الساعة.

(2) أدر **"0-23"** لضبط رموز الساعة، يجب أن يتراوح وقت الإدخال بين 0-23.

(3) اضغط على **"Kitchen Timer/Clock"**، ستومض عندئذ رموز الدقائق.

(4) أدر **"0-59"** لضبط رموز الدقائق، يجب أن يتراوح وقت الإدخال بين 0-59.

(5) اضغط على **"Kitchen Timer/Clock"** لالتهاء من ضبط الساعة. "": ستومض، وسيضيء الوقت.

ملاحظة: (1) إذا لم يتم ضبط الساعة، قد لا تستطيع أداء وظيفتها عند تشغيلها.  
(2) أثناء عملية ضبط الساعة، إذا تم الضغط على **"Stop/Clear"**، ستعود الفرن إلى الوضع السابق أو توماتيكيا.

### 2. عملية الطهي في الميكروويف

اضغط على **"Micro./Grill/Combi."** مرة واحدة، سيظهر بوحدة العرض "P100". اضغط على

**"Micro./Grill/Combi."** بشكل متكرر أو أدر **"0-9"** لاختيار القدرة التي تريدها، وستظهر "P100" أو

"P 80" أو "P 50" أو "P 30" أو "P 10" أو "G" أو "1-C" أو "2-C" لكل ضغطة إضافية. ثم اضغط على

**"Start/+30Sec./"** للتأكيد، وأدر **"0-9"** لضبط وقت الطهي من 0:05 إلى 95:00. اضغط على

**"Start/+30Sec./Confirm"** مرة أخرى لبدء الطهي.

على سبيل المثال: إذا أردت أن تستخدم نسبة 80% من قدرة الميكروويف للطهي لمدة 20 دقيقة، يمكنك عندئذ تشغيل الفرن تبعًا للخطوات التالية.

(1) اضغط على **"Micro./Grill/Combi."** مرة واحدة، يظهر عندئذ بوحدة العرض "P100".

(2) اضغط على **"Micro./Grill/Combi."** مرة أخرى أو أدر **"0-9"** لاختيار 80% من قدرة الميكروويف.

(3) اضغط على **"Start/+30Sec./"** للتأكيد، وسيظهر بوحدة العرض "P 80".

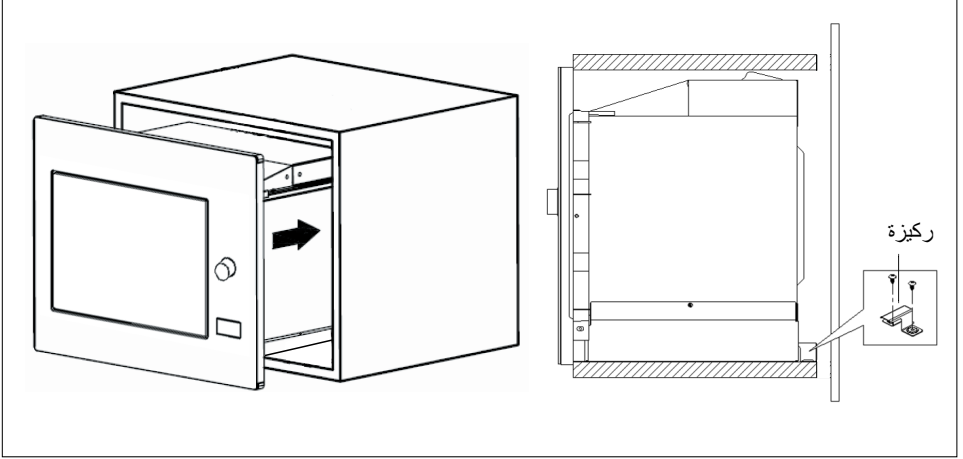
(4) أدر **"0-9"** لضبط وقت الطهي حتى يظهر بوحدة عرض الفرن "20:00".

(5) اضغط على **"Start/+30Sec./Confirm"** لبدء الطهي.

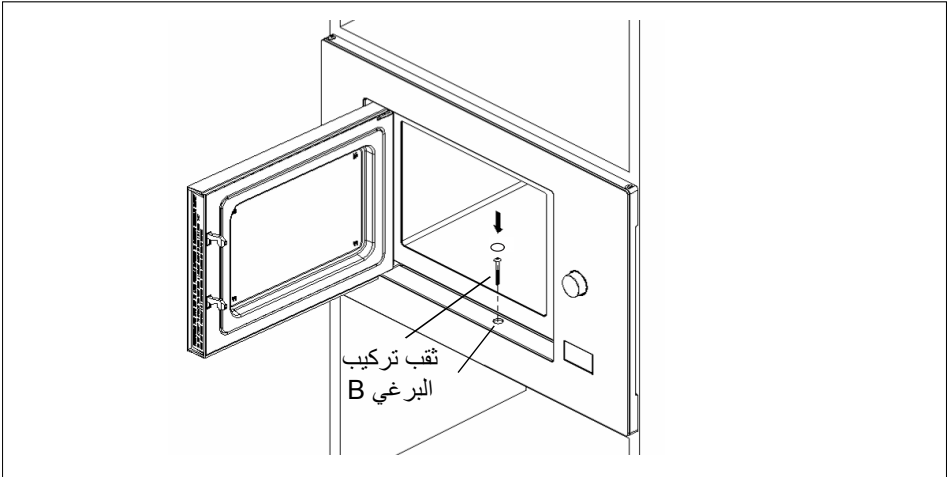
## C. تركيب الفرن

### 4. تركيب الفرن بالخزانة

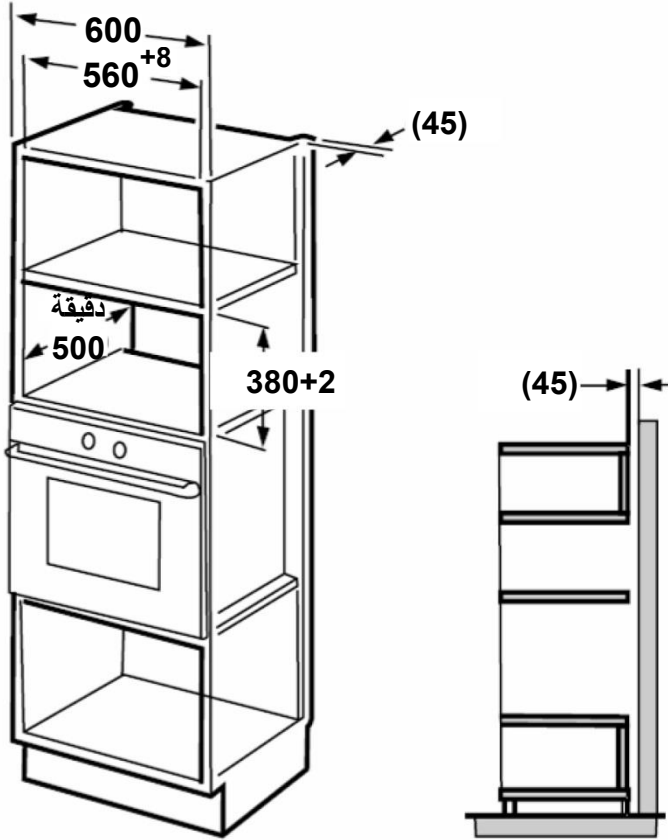
- تأكد من أن الجزء الخلفي للفرن مُثبت بركيزة.
- تجنب زلق كابل الكهرباء أو ثنيه.



5. افتح الباب، قم بتثبيت الفرن بالخزانة باستخدام البرغي B، عند ثقب التركيب. وبعد ذلك قم بتثبيت الغطاء البلاستيكي kit-Trim بثقب التركيب.







ملاحظة:

يلزم وجود الركيزة ونموذج الخزانة السفلية عند التركيب في كلا عمليات التركيب.

## تعليمات التركيب

يرجى قراءة الدليل بعناية قبل التركيب

### يرجى ملاحظة

#### التوصيل الكهربائي

يجب أن تشمل الخزانة المركبة على جدار خلفي خلف الجهاز.  
يجب الحفاظ على الفجوة بين الجدار وقاعدة الوحدة أعلاه.  
يمكن الرجوع لحجم الفجوة الخاص من خلال المخططات.  
أقل ارتفاع للتركيب: 85 سم.

تجنب تغطية فتحات التهوية وثقوب الشفط.

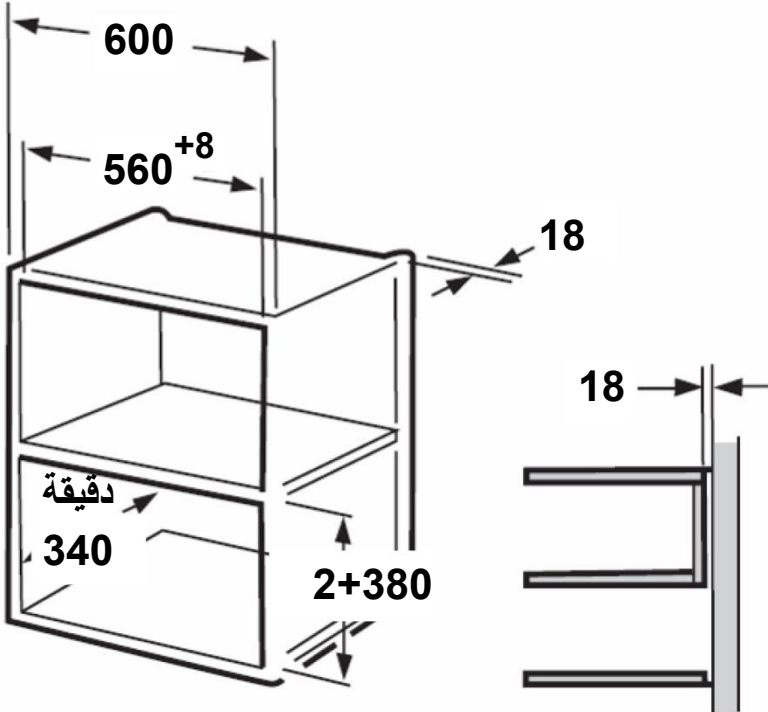
#### ملاحظة:

تجنب زلق كابل الكهرباء أو ثنيه.

لا تستخدمه تحت سطح عمل ، ولا تصب من الحاوية على السطح حيث تم توصيل الجهاز.

## A. متطلبات الخزانة

1.



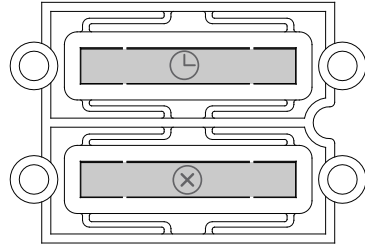
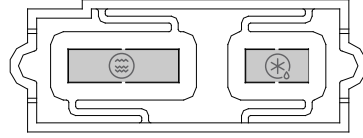
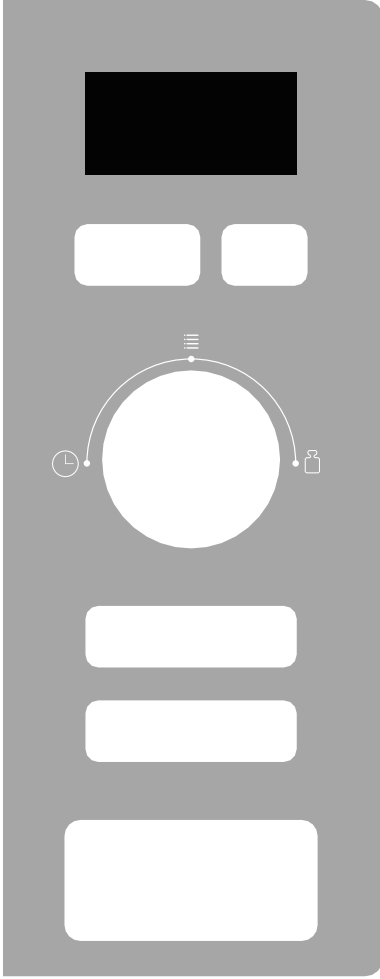
## التركيب

1. يمكن تركيب الجهاز بخزانة مثبتة على الحائط بعرض 60 سم.
2. الجهاز مزود بكابل كهرباء وقابس Schuko أو كابل كهرباء ثلاثي القطب بأطراف حرة.
3. يجب توصيل الجهاز بمقبس أرضي تم تركيبه بشكل صحيح.
4. يجب أن يتوافق الجهد الكهربائي الرئيسي مع الجهد المحدد بلوح الصنع.
5. يجب تركيب المقبس ويجب استبدال كابل التوصيل من خلال فني كهربائي مؤهل. إذا تعذر الوصول إلى القابس بعد التركيب، يجب أن يوجد جهاز فصل جميع الأقطاب بجانب التركيب بفجوة تلامس تبلغ على الأقل 3 مم.
6. المهائبات، يجب ألا يتم استخدام أشرطة متعددة المسارات وأطراف التطويلة. قد ينتج عن الحمل الزائد خطر نشوب حريق.






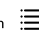

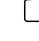


قد يكون سطح الوصول ساخن أثناء التشغيل.

# لوحة التحكم



## تعليمات:

	Micro./ Grill/Combi.		Weight/Time Defrost
	Kitchen Timer/ Clock		Stop/Clear
	Start/ +30Sec./Confirm		Auto Menu
	Time		Weight



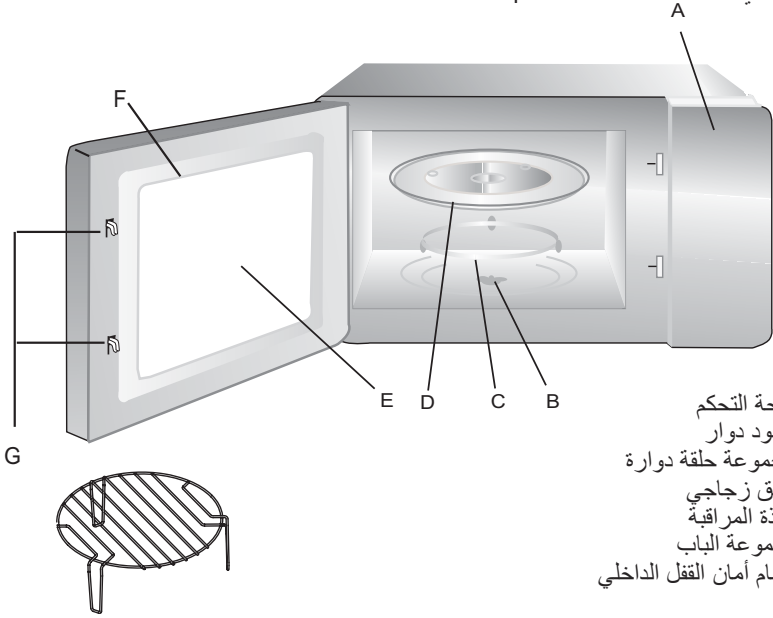
## نظرة عامة

### أسماء أجزاء الفرن وكمالياتها

أزل الفرن وجميع المواد من الكرتونة وحيز الفرن.

يأتي الفرن مزوداً بالكماليات التالية:

- |   |                   |
|---|-------------------|
| 1 | الطبق الزجاجي     |
| 1 | مجموعة حلقة دوارة |
| 1 | دليل التعليمات    |



- (A) لوحة التحكم  
 (B) عمود دوّار  
 (C) مجموعة حلقة دوّارة  
 (D) طبق زجاجي  
 (E) نافذة المراقبة  
 (F) مجموعة الباب  
 (G) نظام أمان القفل الداخلي

رف الشواية (يستخدم فقط في وظيفة الشواء ويمكن وضعه على طبق الزجاج)

### تركيب القرص الدوار

a. تجنب وضع الطبق الزجاج مقلوباً. يجب ألا يتم

مطلقاً تقبيد طبق الزجاج.

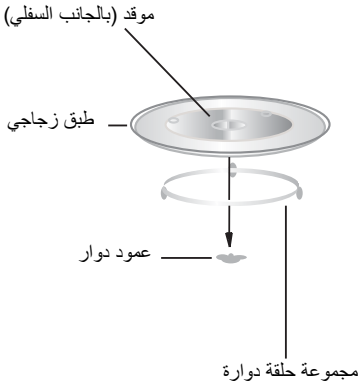
b. يجب استخدام كلاً من الطبق الزجاجي ومجموعة الحلقة

الدوارة أثناء الطهي.

c. توضع جميع الأطعمة وأواني الأطعمة على الطبق الزجاجي للطهي.

d. إذا حدث تصدع أو كسر في الطبق الزجاجي أو مجموعة الحلقة

الدوارة، اتصل بأقرب مركز خدمة معتمد.



## المواد التي يمكنك استخدامها في وظيفة فرن الميكروويف

الأواني ملاحظات

طبّق التحمير	اتبع تعليمات الجهة الصانعة. يجب أن يبلغ الجزء السفلي من طبق التحمير على الأقل 16/3 بوصة (5 مم) فوق القرص الدوار. قد يتسبب الاستخدام غير الصحيح في كسر القرص الدوار.
أدوات المائدة	أمنة فقط للاستخدام في الميكروويف. اتبع تعليمات الجهة الصانعة. لا تستخدم أطباق متصدعة أو مشروخة.
برطمانات زجاج	أزل الغطاء دائماً. تستخدم فقط لتسخين الأطعمة حتى تدفئ. معظم برطمانات الزجاج ليست مقاومة للحرارة وقد تنكسر.
الأواني الزجاجية	الأواني الزجاجية فقط المقاومة لحرارة الفرن. تحقق من عدم وجود أجزاء معدنية. لا تستخدم أطباق متصدعة أو مشروخة.
أكياس الطهي في الفرن	اتبع تعليمات الجهة الصانعة. تجنب غلقها برابطة معدنية. اصنع فتحات تسمح بخروج البخار.
ألواح ورقية وأكواب	تستخدم للطهي/التدفئة قصيرة المدى فقط. لا تترك الفرن دون مراقبة أثناء الطهي.
مناديل ورقية	تستخدم لتغطية الأطعمة لإعادة التسخين وامتصاص الدهون. تستخدم مع الإشراف للطهي قصير المدى فقط.
ورق البرشمان	يستخدم كغطاء للحلولة دون تناثر الطعام أو تغطيته عند الطهي بالبخار.
بلاستيك	أمنة فقط للاستخدام في الميكروويف. اتبع تعليمات الجهة الصانعة. يجب أن يسمى "آمن للاستخدام في الميكروويف". بعض الأوعية البلاستيكية ناعمة، بحيث يسخن الطعام بداخلها. يجب إحداث فتحة في "أكياس السلق" والأكياس البلاستيكية مُحكمة الغلق، أو قطعها أو تهويتها وفقاً لما تنص عليه العبوة.
رقاقة بلاستيكية	أمنة فقط للاستخدام في الميكروويف. تستخدم لتغطية الأطعمة أثناء الطهي للاحتفاظ بالرطوبة. لا تدع الرقائق البلاستيكية تلمس الأطعمة.
مقياس الحرارة	آمن فقط للاستخدام في الميكروويف (مقياس حرارة للحوم والحلوى).
ورق مشمع	يستخدم كغطاء لمنع تناثر الطعام والاحتفاظ بالرطوبة.

## المواد المقرر تجنب وضعها في فرن الميكروويف

الأواني ملاحظات

أطباق الألومنيوم	قد تحدث شرارة. قم بنقل الطعام داخل طبق الميكروويف الآمن.
كرتونة الطعام المزودة بمقبض معدني	قد تحدث شرارة. قم بنقل الطعام داخل طبق الميكروويف الآمن.
الأواني المعدنية أو ذات الزخارف المعدنية	المعدن يمنع وصول حرارة الميكروويف إلى الأطعمة. قد يتسبب الجزء المعدني في إحداث شرارة.
أربطة معدنية	قد تتسبب في حدوث شرارة وحرق داخل الفرن.
أكياس ورقية	قد تتسبب في حدوث حرق داخل الفرن.
الفوم البلاستيكي	قد ينصهر الفوم البلاستيكي أو يلوث الأغذية السائلة الداخلية عند تعرضها لحرارة عالية.
الخشب	عند استخدام الأواني الخشبية في فرن الميكروويف ستجف وقد تنفصل أو يحدث بها تصدع.

## التنظيف

تأكد من فصل الجهاز من مصدر التيار.

1. قم بتنظيف حيز الفرن بعد الاستخدام بقطعة قماش رطبة قليلاً.
2. قم بتنظيف الكماليات بالطريقة المعتادة بماء بصابون.
3. يجب تنظيف إطار الباب وموانع التسرب والأجزاء المجاورة بحرص باستخدام قماشة رطبة عند اتساخهم.
4. لا تستخدم مواد التنظيف الكاشطة الخشنة أو المكاشط المعدنية الحادة لتنظيف اللوح الزجاجي لباب الفرن، نظراً لأنها قد تؤدي إلى خدش سطح هذا اللوح، مما يؤدي إلى تحطم الزجاج.
5. نصائح التنظيف---لأسهل تنظيف لجدران الحيز التي تلامس الأطعمة المطهية: ضع نصف ليمونة في وعاء، وأضف 300 مل (2/1 باينت) ماء وقم بالتسخين عند 100% من قدرة الميكروويف لمدة 10 دقائق. امسح الفرن ونظفها باستخدام قطعة قماش ناعمة وجافة.

## الأواني

### تنبيه

انظر التعليمات في "المواد التي يمكن استخدامها في فرن الميكروويف أو المواد المقرر تجنبها في فرن الميكروويف." قد يكون هناك أواني غير معدنية ليست آمنة للاستخدام في أجهزة الميكروويف. في حالة عدم التأكد، يمكنك فحص الإناء المعني باتباع الإجراء أدناه.

فحص الإناء:

1. املا وعاء آمن للاستخدام في الميكروويف بكوب واحد من الماء البارد (250 مل) بالإضافة إلى الإناء المعني.
2. قم بالطهي على أقصى قدرة لمدة دقيقة واحدة.
3. ألمس الإناء بحرص. إذا كان الإناء دافئ، عندئذ لا تستخدمه في الميكروويف.
4. لا تتجاوز دقيقة واحدة من وقت الطهي.

**خطر إصابة الأفراد من الخطورة**  
أن يقوم أي شخص غير مُدرّب بإجراء خدمة أو إصلاح تشتمل على خلغ غطاء الحماية المواجه لحرارة الميكروويف.

- تجنب الطهي الزائد للأطعمة.
- لا تستخدم الحيز الداخلي للفرن لأي أغراض تتعلق بالتخزين.
- تجنب تخزين العناصر، مثل الخبز، الكعك، إلخ. داخل الفرن.
- أزل الأربطة السلكية والمقابض المعدنية من الأوعية/الشنط الورقية أو البلاستيكية قبل وضعهم في الفرن.
- قم بتركيب هذا الفرن أو وضعه فقط وفقاً لتعليمات التركيب الموردة
- تجنب تخزين هذا الجهاز أو استخدامه في الهواء الطلق.
- تجنب استخدام هذا الفرن بالقرب من ماء، على قاعدة مبللة أو بالقرب من حمام سباحة.
- قد ترتفع درجة حرارة الأسطح التي يمكن الوصول إليها عندما يكون الجهاز مُشغّل.
- تكون الأسطح عرضة للسخونة أثناء الاستخدام.
- حافظ على إبعاد السلك عن الأسطح الساخنة، وتجنب تغطية أي من فتحات التهوية.
- لا تترك الكابلات مُعلق على حافة المنضدة أو الطاولة.
- تجنب محاولة تشغيل الفرن بينما الباب مفتوح حيث قد يؤدي هذا إلى التعرض الضار لحرارة الميكروويف. من المهم عدم كسر أقفال الأمان الداخلية أو العبث بها.
- لا تضع أي شيء بين الواجهة الأمامية للفرن والباب أو تترك بقايا الاتساخات أو المنظف تتراكم على أسطح منع التسرب.

## لتقليل خطر إصابة الأشخاص الذين يقومون بالتركيب الأرضي

### خطر

في حالة عدم استيعاب تعليمات التأريض بشكل كامل أو في حالة عدم التأكد من تأريض الجهاز بشكل صحيح استفسر من فني كهربائي أو رجل صيانة.  
يلزم استخدام تطويلة سلكية، استخدم فقط تطويلة سلكية ثلاثية.

قد يتسبب خطر لمس الصاعقة الكهربائية للأجزاء الداخلية في إصابة خطيرة للأفراد أو الوفاة. تجنب تفكيك هذا الجهاز.

### تحذير

1. تم توريد كابل إمداد تيار قصير لتقليل المخاطر الناتجة عن التشابك أو التعثر خلال الكابل الطويل.
2. في حالة استخدام كابل طويل أو تطويلة سلكية:

خطر الصاعقة الكهربائية الاستخدام الخاطئ للأرضي قد يسبب صاعقة كهربائية. تجنب التوصيل داخل منفذ إلا أن يتم تركيب الجهاز والأرضي بشكل صحيح.

- 1) يجب أن تكون المعدلات الكهربائية المحددة للسلك المستخدم أو التطويلة السلكية على الأقل مثل المعدلات الكهربائية للجهاز.
- 2) يجب أن تكون التطويلة السلكية من نوع السلك الثلاثي المؤرض.
- 3) يجب تنسيق السلك الطويل حتى لا يتلف حول الجزء العلوي من المنضدة أو سطحها حيث يمكن سحبه بواسطة الأطفال أو التعثر به بدون قصد.

يجب تأريض هذا الجهاز. في حالة القفلة الكهربائية، يخفض الطرف الأرضي خطر الصاعقة الكهربائية من خلال توفير سلك تهريب للتيار الكهربائي. هذا الجهاز مزود بكابل به سلك أرضي بقباس أرضي. يجب توصيل القابس داخل المنفذ الذي تم تركيبه وتأريضه بشكل صحيح.

فرن الميكروويف مصمم لتسخين الأطعمة والمشروبات. تجفيف الطعام والملابس وتسخين المناشف والملابس الداخلية والإسفنجات والقماش المبلل وما شابه قد يؤدي إلى خطر الإصابة والاشتعال والحريق.

تحذير: في حالة تلف مانعات تسرب الباب، يجب ألا يتم تشغيل الفرن حتى يتم إصلاحها بواسطة شخص مُدرّب.

الجهاز مُصمم فقط للاستخدام المنزلي.

هذا الفرن مُصمم للاستخدام المدمج فقط. ليس مُصمم للاستخدام أعلى منضدة أو داخل خزانة.

هذا الجهاز مخصص للاستخدام في الأغراض المنزلية وما شابهها مثل:  
-نطاقات مطبخ العاملين المطبخ في المحلات، المكاتب وبيئات العمل الأخرى،  
-ومن قبل نزلاء الفنادق والموتيلات والبيئات الأخرى ذات الطابع السكني،  
-البيوت الريفية،  
-أماكن الإقامة بنظام المبيت والإفطار.

في حالة تلف سلك الإمداد، يجب تغييرها من خلال الجهة الصانعة، وكيل الخدمة الخاص به أو شخص مؤهل بنفس الدرجة لتجنب المخاطر.

قد يؤدي عدم الالتزام بنظافة الفرن إلى تشوه السطح مما قد يؤثر سلبيًا على عمر الجهاز وقد يؤدي إلى حدوث موقف خطير.

يجب تقليب محتويات زجاجات الإرضاع وبرطمانات طعام الأطفال أو رجها ومراجعة درجة الحرارة قبل الاستهلاك، لتفادي الإصابة بحروق.

تسخين المشروبات باستخدام الميكروويف قد يؤدي إلى تأخر الغليان، لذلك يرجى الحذر عند التعامل مع الوعاء.

يجب تشغيل فرن الميكروويف بينما الباب المزود بعناصر ديكورية مفتوح.

لا تستخدم مواد التنظيف الكاشطة الخشنة أو المكاشط المعدنية الحادة لتنظيف اللوح الزجاجي لباب الفرن/ زجاج الأغطية ذات المفصلات الخاصة بالموقد (حسب الحاجة)، نظراً لأنها قد تؤدي إلى خدش السطح، مما يتسبب في تحطم الزجاج. لا تستخدم أجهزة تنظيف البخار أو رشاشات الماء المباشرة.

في حالة تلف سلك الإمداد، يجب تغييرها من خلال الجهة الصانعة، وكيل الخدمة الخاص به أو شخص مؤهل بنفس الدرجة لتجنب المخاطر.

تحذير: يجب عدم تسخين السوائل أو الأطعمة الأخرى في الأواني المحكمة الغلق، فهي عرضة للانفجار.

تحذير: من الخطورة أن يقوم أي شخص غير مدرب بإجراء أي خدمة أو إصلاحات تتضمن خلع أي غطاء يحمي من التعرض لطاقة الميكروويف.

حافظ على إبعاد الجهاز والكابل الخاص به بعيداً عن الأطفال أقل من 8 سنوات.

استخدم فقط الأواني التي تناسب الاستخدام في الميكروويف

يجب تنظيف الفرن بانتظام ويجب إزالة أي رواسب للأطعمة.

عند تسخين الطعام في أوعية بلاستيكية أو ورقية، راقب الفرن لتفادي حدوث أي اشتعال محتمل.

في حالة انبعاث دخان، قم بإيقاف الجهاز أو فصله واترك الباب مغلق لإخماد أي لهب.

لا يجب تسخين البيض بقشره والبيض المسلوق جيداً في أفران الميكروويف لأنه قد ينفجر، حتى بعد إنتهاء تسخين الفرن.



تنبيه: لتجنب الخطر بسبب إعادة الضبط غير المقصودة للقطع الحراري، يجب ألا يتم توصيل هذا الجهاز عبر جهاز تشغيل خارجي، مثل الميقاتي، أو توصيله بدائرة متكررة التشغيل والإيقاف من خلال المرفق.

تأكد من تركيب الجهاز بطريقة تسمح بفصله عن مصدر الطاقة، مع مسافة فتحة توصيل تضمن الفصل الكامل في ظروف الفلطية الزائدة من الفئة III. يجب دمج وسائل الفصل الموجودة في الأسلاك الثابتة وفقاً لقواعد توصيل الأسلاك.

اقتصر على استخدام مقياس درجة الحرارة الموصى به لهذا الفرن. لا ينبغي تركيب الجهاز خلف باب به عناصر ديكورية لتجنب ارتفاع درجة الحرارة.

تحذير: خطر الإصابة بحروق!  
أثناء الاستخدام أصبح الجهاز ساخن. ينبغي توخي الانتباه لتجنب ملامسة عناصر التسخين داخل الفرن. يجب إبعاد الأطفال دون سن 8 سنوات إلا إذا كانت هناك ملاحظة وإشراف دائم عليهم.

خطر الإصابة بحروق!  
قد يكون طرف مقبض الباب أكثر سخونة بسبب تنفيس الهواء الساخن. تأكد دائماً أن مفاتيح التحكم في وضع الإيقاف في حالة عدم استخدام الفرن.

تحذير: تأكد من إيقاف الجهاز قبل تغيير اللمبة لتجنب احتمالية التعرض لصدمة كهربائية.

اقرأ دليل الاستخدام ومعلومات السلامة بعناية قبل استخدام الفرن.

احتفظ بالدليل للرجوع إليها مستقبلاً.

لا يمكن أن تكون الجهة الصانعة مسؤولة عن الأضرار المحتملة الناتجة عن التثبيت غير الصحيح والاستخدام غير الصحيح، غير السليم أو غير المسنول للجهاز.

لا يمكن ضمان السلامة الكهربائية للجهاز إلا حال توصيله بشكل صحيح بنظام تأريض معتمد وفقاً للأنظمة السارية.

لضمان تشغيل آمن وفائق الفعالية لهذا الجهاز الكهربائي:  
-اتصل فقط بمراكز الخدمة المعتمدة.  
-لا تقم بتعديل أي خصائص بالجهاز.

يمكن استخدام هذا الجهاز من قبل الأطفال بدءاً من عمر 8 سنوات وما بعدها، والأشخاص الذين لديهم نقص في القدرات البدنية والحسية والعقلية أو الأشخاص الذين لديهم نقص في الخبرة والمعرفة إذا تم مراقبتهم وتوجيههم إلى كيفية استخدام الجهاز بطريقة آمنة وإدراكهم للمخاطر المتعلقة بذلك. يجب ألا يعبث الأطفال بهذا الجهاز. وينبغي ألا يقوم الأطفال بتنظيف الجهاز أو تنفيذ إجراءات الصيانة التي يقوم بها المستخدم دون الإشراف عليهم.

هذا الجهاز ليس لعبة.

لا تترك الأطفال بالقرب من الجهاز دون مراقبة.  
لا تسمح للأطفال بلمس الجهاز أو أدوات التحكم الخاصة به أثناء أو بعد استخدامه مباشرة.



[www.franke.com](http://www.franke.com)



EN TR ES FR IT PT DE EL CS PL SK RO UA RU AR

PN:16170000B09521